

USER'S MANUAL FOR
HEATWAGON
P300
(E3)
ELECTRIC FAN HEATER
(1/22)

IMPORTANT

**READ AND UNDERSTAND THIS MANUAL
BEFORE ASSEMBLING, STARTING OR
SERVICING THE HEATER.**

**IMPROPER USE OF HEATER CAN CAUSE
SERIOUS INJURY.**

KEEP THIS MANUAL FOR FUTURE REFERENCE.

FOR PROFESSIONAL USE ONLY

READ ALL INSTRUCTIONS BEFORE USING THIS HEATER

1. This heater is hot when in use. To avoid burns, do not let bare skin touch hot surfaces. Use handle when moving this heater. Keep combustible materials at least 6 feet (2 meter) from the front of the heater and keep them away from sides and rear
2. Extreme caution is necessary when the heater is used near children or invalids and whenever the heater is left unattended
3. Always unplug the heater when not in use
4. Do not operate any heater with a damaged cord or plug or after the heater malfunctions, has been dropped or damaged in any manner. Return heater to authorized service facility for examination, electrical or mechanical adjustment or repair
5. Do not use outdoors
6. This heater is not intended for use in bathrooms, laundry areas and similar indoor locations. Never locate the heater where it may fall into a bathtub or other liquid container
7. Do not run cord under carpeting. Do not cover cord with throw rugs, runners, or the like. Arrange cord away from traffic area and where it will not be tripped over
8. To disconnect heater, turn controls to off, then remove plug from outlet
9. Connect to properly grounded outlets only
10. Do not insert or allow foreign objects to enter any ventilation or exhaust opening as this may cause an electric shock or fire, or damage the heater
11. To prevent a possible fire, do not block air intakes or exhaust in any manner. Do not use on soft surfaces, where openings may become blocked
12. A heater has hot and arcing or sparking parts inside. Do not use in areas where gasoline, paint or flammable liquids are used or stored
13. Do not point to flammable materials
14. Use heater only as described in this manual. Any other use not recommended by the manufacturer may cause fire, electric shock or injury to persons
15. Always plug heaters directly into a wall outlet/receptacle. Never use with an extension cord or relocatable power tap (outlet/power strip)
16. **SAVE THESE INSTRUCTIONS**

1. GENERAL INFORMATION FOR USER

HEATWAGON electric heaters are designed for professional use.

The heat is generated in sealed heating elements inside the inner mantle of the heater. Heated air is then distributed by an electric motor driven fan blowing air through the heater.

Although effectively cooled by the fan, the heating elements have high surface temperatures. That is why combustible materials must be kept at a safe distance from the heater and care must be taken that no combustible particles enter the heater with the air sucked in by the fan.

Keep the heater clean of dust at any time. Dust may cause fire when heated.

Make sure that the fan blades may rotate unobstructed at all times.

Do not block air intakes or exhaust in any manner.

2. LIMITED WARRANTY

HEATWAGON heater products are professional construction heaters. They are warranted for twenty-four (24) months from original date of purchase. The warranty does not cover products modified outside our factory, damage or failure caused by acts of God, abuse, misuse, use on other than rated voltage, abnormal usage, faulty or improper installation, failure to provide recommended maintenance or any repairs other than those provided by an authorized HEATWAGON service.

THERE ARE NO OBLIGATIONS OR LIABILITIES ON THE PART OF HEATWAGON FOR CONSEQUENTIAL DAMAGES ARISING OUT OF OR IN CONNECTION WITH THE USE OR PERFORMANCE OF THE PRODUCT OR OTHER INDIRECT DAMAGES WITH RESPECT TO LOSS OF PROPERTY, REVENUES, OR PROFIT, OR COST OF REMOVAL, INSTALLATION OR REINSTALLATION.

THIS WARRANTY CONSTITUTES THE EXCLUSIVE REMEDY OF ANY PURCHASER OF EQUIPMENT SOLD BY THE MANUFACTURER AND ITS DEALERS AND DISTRIBUTORS AND IS IN LIEU OF ALL OTHER WARRANTIES, EXPRESS OR IMPLIED.

During the warranty period, HEATWAGON will, at its sole option, repair or replace any defective parts or products returned, freight prepaid, to HEATWAGON or such other location as HEATWAGON may designate.

Returned products must be packaged carefully, and HEATWAGON shall not be responsible for damage in transit. When returning parts, the owner must provide the model number of the product and the nature of difficulty being experienced. This warranty does not oblige HEATWAGON to bear the cost of labour in replacing any assembly, unit or component or part thereof, nor does the company assume any liability for secondary charges, expenses of removal or installing, freight or damages. There will be charges rendered for product repair after our warranty period has expired. Proof of purchase, including date, must accompany request for in-warranty service.

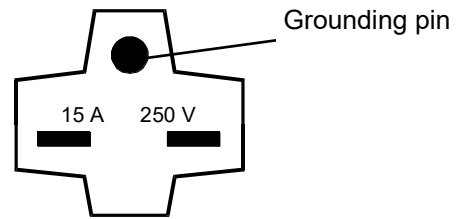
3. OPERATION

REVIEW AND UNDERSTAND ALL WARNINGS IN THIS MANUAL. THEY ARE ESSENTIAL FOR SAFE USE OF THE HEATER.

FOLLOW ALL LOCAL CODES.

This heater is for use on 240 volts.

The cord has a plug as shown in the figure.



The type of outlet is a 240-volt grounding outlet.

When properly installed, it provides a ground connection through the cord to the heater to protect the operator from electric shock.

TO START HEATING:

1. Place the heater on a stable and level surface. Make sure that no explosive or combustible fumes or dust are present

MINIMUM CLEARANCES FROM COMBUSTIBLE MATERIALS:	
OUTLET = 6 feet	SIDES = 1 foot
TOP = 2 feet	REAR = 2 feet
FLOOR = COMBUSTIBLE	

2. Connect power cord of heater into 240 V / 60 Hz power source. See paragraph "Technical specifications" in this manual for correct amperage rating
3. Set the room thermostat from "heat off" position to a temperature above the ambient room temperature by turning the knob. Note! The heater will start on-ly if the thermostat "calls for heat" meaning that it is set to higher than prevail-ing ambient temperature
4. The heater will now operate automatically, controlled by the thermostats

TO STOP HEATING:

1. Turn the thermostat into "heat off" position
2. Disconnect the power supply plug

NOTE!

THE HEATER IS EQUIPPED WITH AN OVERHEAT LIMIT SWITCH WHICH MAY CAUSE THE HEATER TO STOP. CHECK AND REMOVE THE CAUSE FOR OVERHEATING BEFORE RE-STARTING.

4. MAINTENANCE

WARNING!

NEVER SERVICE THE HEATER WHILE IT IS PLUGGED IN, RUNNING OR HOT. SEVERE BODILY INJURE OR ELECTRIC SHOCK MAY OCCUR.

ONLY QUALIFIED PERSONS ARE ALLOWED TO OPEN HEATER FOR SERVICE. NO USER-SERVICEABLE PARTS INSIDE.

- Keep heater clean. Use pressurized air to blow fan blades clean. Note! Use moderate pressure to avoid damage to fan blades
- Inspect heater before and after each use
- The fan motor is sealed and has permanently lubricated bearings

5. STORAGE

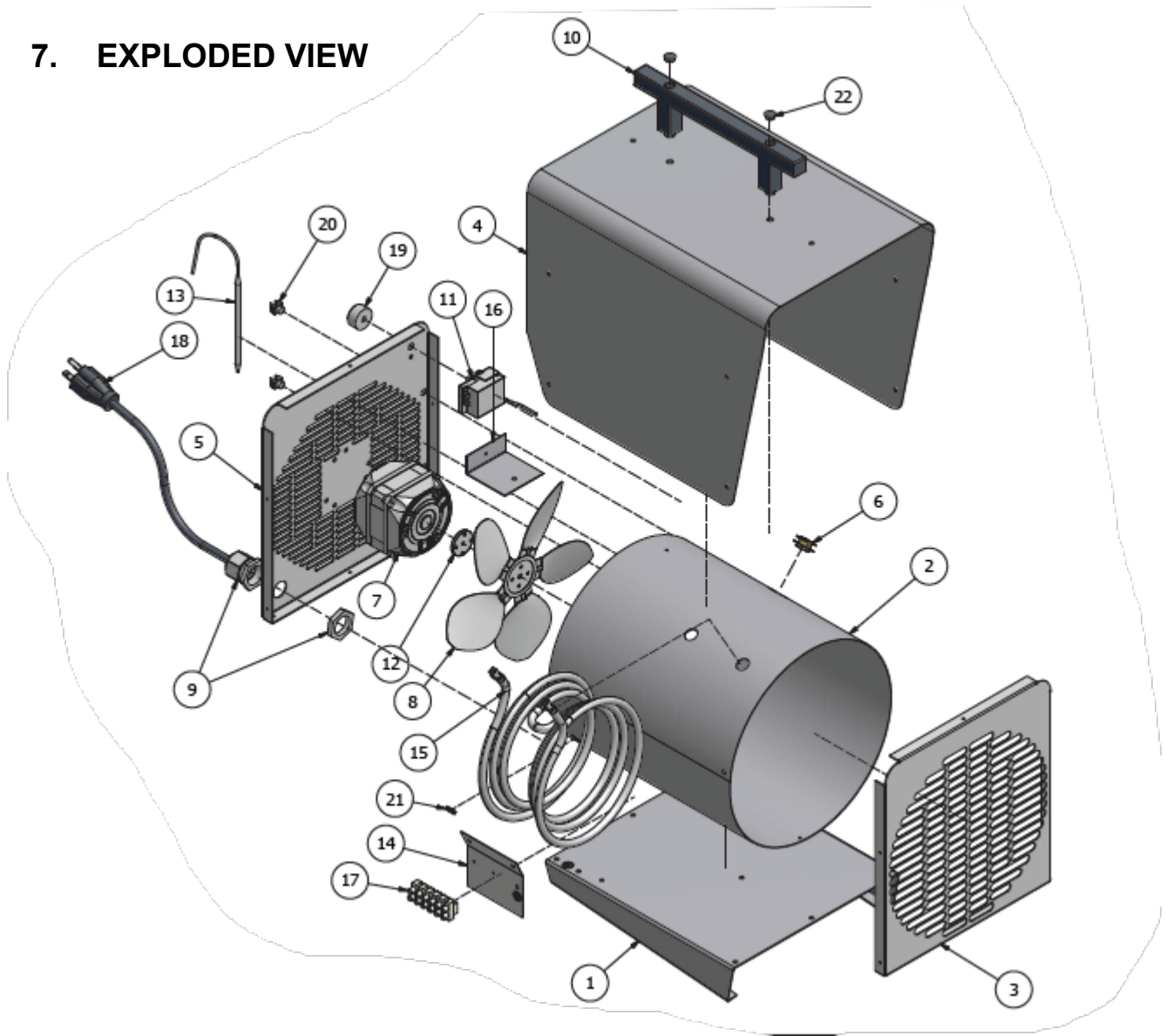
When not in use, the heater must be disconnected from power source, cleaned of dust and stored in a dry place.

The power supply cord should be loosely wound around the handle of the heater.

6. TECHNICAL SPECIFICATIONS

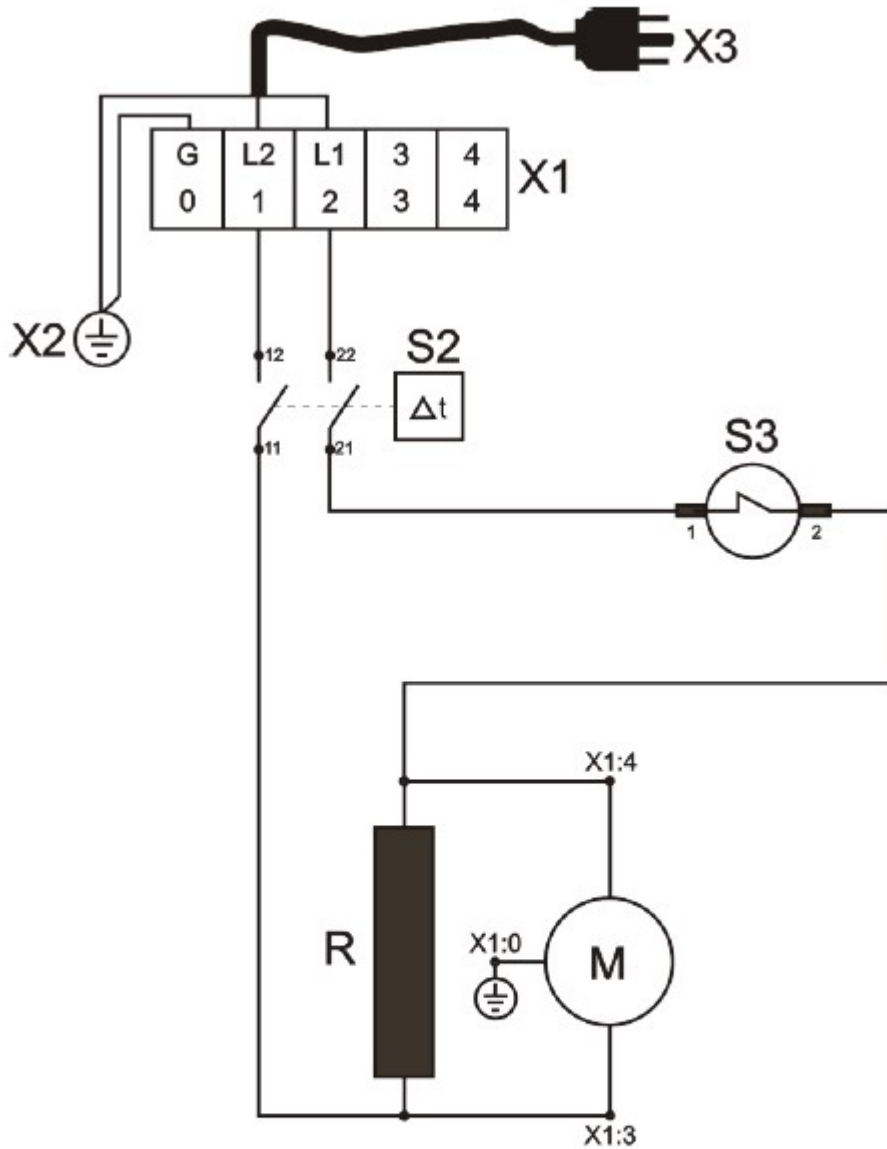
MODEL		E3
Heat output	BTU/hr	10,200 (3,000 W)
Air flow	CFM	205 (350 m ³ /h)
Electric connection	V ac / Hz	240 / 60, single phase
Amperage draw	A	12.5
Power cord		3×16 AWG
Plug		NEMA 6-15P
Extension cord		min. 3×16 AWG
Ambient thermostat		Temp.range 32 ... 100 °F (0 ... 40 °C)
Length	inches	11.8 (300 mm)
Width	inches	10.2 (260 mm)
Height	inches	15.2 (385 mm)
Weight	lbs	20.3 (9.2 kg)

7. EXPLODED VIEW



1	493401	Bottom Plate	14	493406	Bracket, Terminal Block
2	493405	Inner Mantle	15	42800	Heating Element
3	493402	Front Panel	16	493407	Bracket, Inner Mantle, E3
4	493404	Outer Mantle	17	36701	Terminal Block
5	493403	Rear Panel	18	30320	Power Cord & Plug
6	21200	Overheat Limit Switch	19	20577	Knob for Thermostat 20220/20405
7	14104	Fan Motor	20	37910	Plastic Bracket for Thermostat
8	16200	Fan Blade	21	36809	Guard Ring/Wire Bushing
9	36910	Strain Reliever	22	80110	Plug for Handle (2/Pk)
10	80100	Handle	***	N/A	Grounding Lug - 4 x 14 mm Screw
11	20405	Ambient Thermostat			
12	17907	Fan Hub, Plastic			
13	20405	Ambient Thermostat			

8. WIRING DIAGRAM



M	14104	Fan Motor
R	42800	Heating Element
S2	20405	Ambient Thermostat
S3	21200	Overheat Limit Switch
X1	36701	Terminal Block
X2	n/a	Grounding Lug
X3	30320	Power Cord & Plug