



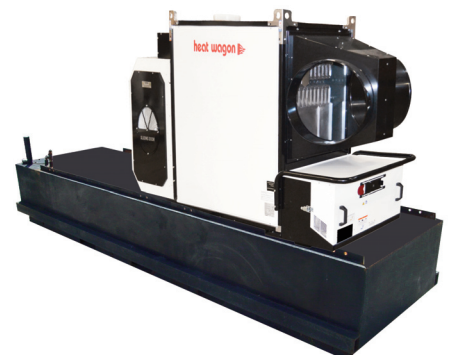
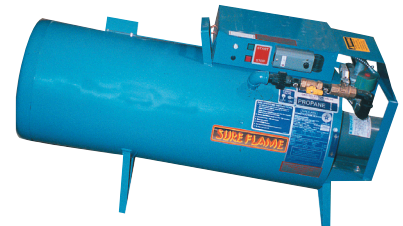
342 N. Co. Rd. 400 East  
 Valparaiso, IN 46383  
 888-432-8924 • Fax 219-462-7985  
[www.heatwagon.com](http://www.heatwagon.com)

## Parts & Accessories

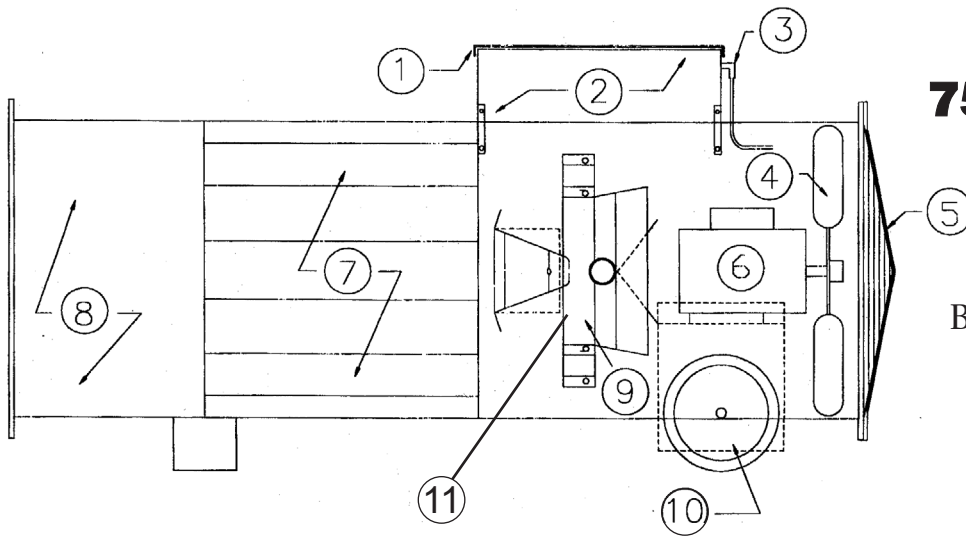


### INDEX

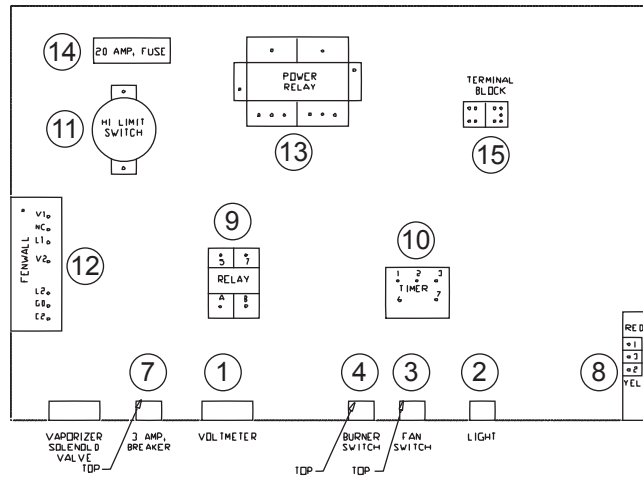
1800	2-3
1800B	4-5
950H	6-7
DF400	8-9
DF600	10-11
DG250	12-13
DG400	14-15
HRF115	16-17
HVF110	18-19
HVF210	20-21
HVF310	22-23
HVF410HD	24-25
P1500	26
P300	27
P600	28
P900	29
P1800-1/P1800-3/P1800D	30
P4000/P6000	31
S405	32-33
S1505	34
S1505B	35-36
2730C-3050	37-39
VG400	40
VG400 Burner	41-42
VF400 Burner	43
VG600A	44-45
VF600A	46-47
VG600A Burner	48
VF600A Burner	49
VG750	50-51
VG750 Burner	52
VG1100	54-55
VF1100	56-57
VG1100 Burner	58
VF1100 Burner	59
VG1000	60-63
IX405	64-65
IX800	66-67
Ducting/Adapters	70
Accessories (Regulators)	71



# 1800 750,000 BTU



**BODY  
BREAKDOWN**



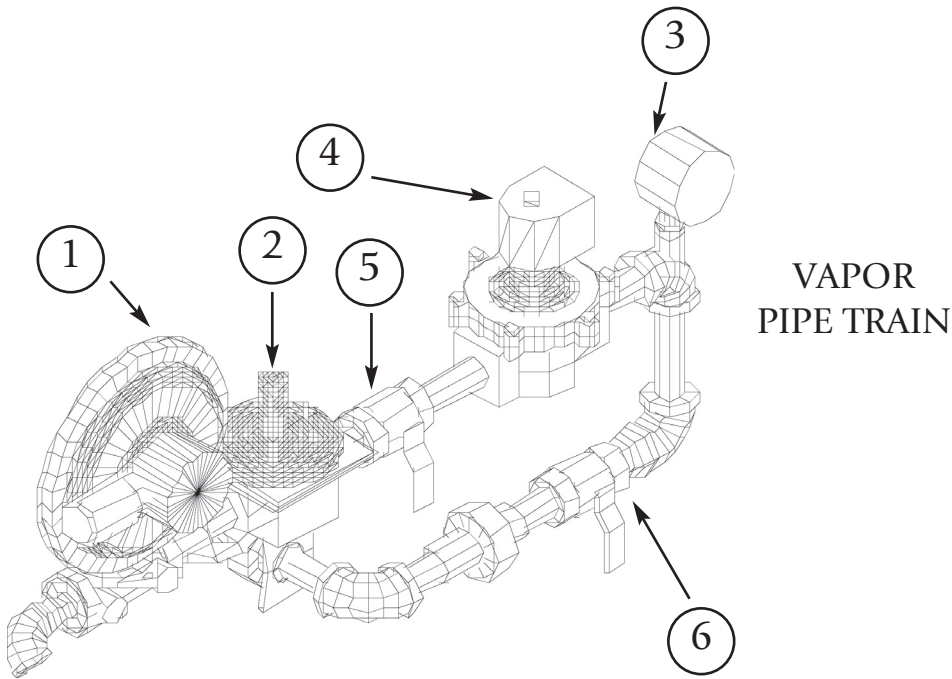
**CONTROLS  
BREAKDOWN**

Item	Part No.	Description
<b>BODY BREAKDOWN</b>		
1	HWP HC1069B	LID/CONTROL BOX
2	HWP HC1069A	CONTROL BOX W/LID
3	N/S	COPPER TUBE/AIR SWITCH
4	HWP HP1161	FAN BLADE
5	HWP HG1167	FAN GUARD
6	HWP HM1166	MOTOR 1 HP
7	HWP HB1177	HEAT SHIELD
8	HWP HB1800	BODY
9	HWP HB1171	BURNER
10	HWP HW1164	WHEEL 8"x 1.75" x 1/2" HUB
10	HWP HW1164B	AXLE FOR 1800
11	HWP HC1004B	ELECTRODE ASSEMBLY

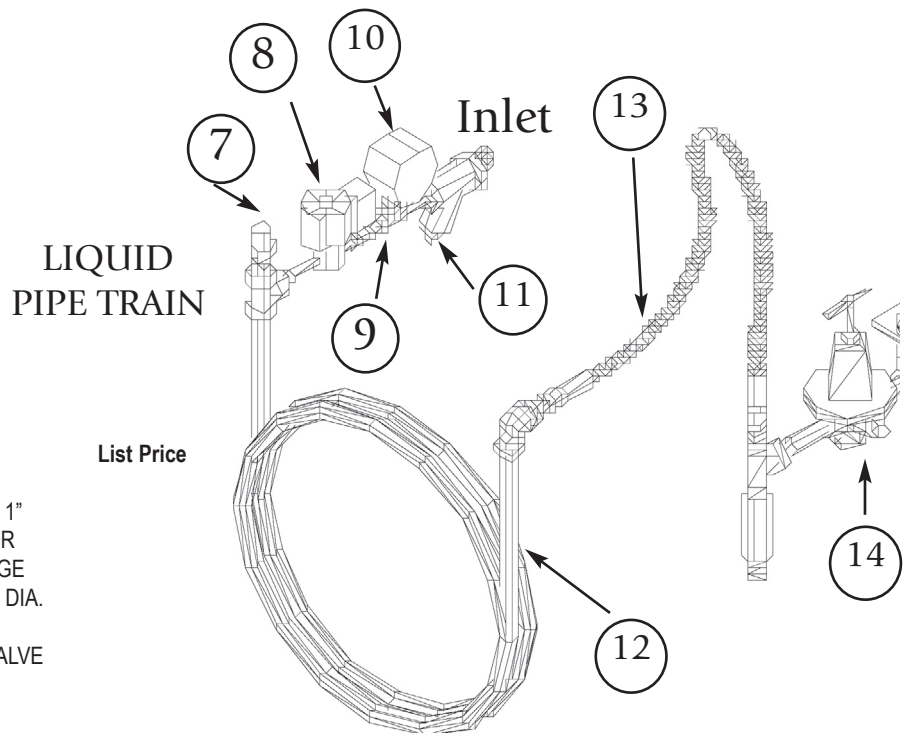
Item	Part No.	Description
<b>CONTROLS BREAKDOWN</b>		
1	SFP 5989	SUPPLY VOLTAGE METER (0-150)
2	SFP 2505	INDICATOR LIGHT
3	HWP HC1011	FAN ON/OFF SWITCH
4	HWP HC1011	BURNER ON/OFF SWITCH
5	SFP 2453	REMOTE THERMOSTAT
7	HWP HC1019B	3 AMP. CIRCUIT BREAKER
8	HWP HC1010	AIRFLOW SWITCH
9	SFP 4512	CONTROL RELAY
10	HWP HC1003A	FAN DELAY TIMER
11	SFP 2446	HIGH-LIMIT CONTROL
12	HWP HC1001C	IGNITOR CONTROL BOARD W/TIME DELAY
13	SFP 2436	MOTOR RELAY
14	HWP HC1115	20 AMP. FUSE (SC-20)
15	HWP HC1123	TERMINAL BLOCK

Parts Not Shown		
	HWP HC1122	FUSE BLOCK
	HWP HC1020	POWER CORD
	SFP HC1008	IGNITION / FLAME SENSOR WIRE KIT

# 1800 750,000 BTU



VAPOR  
PIPE TRAIN



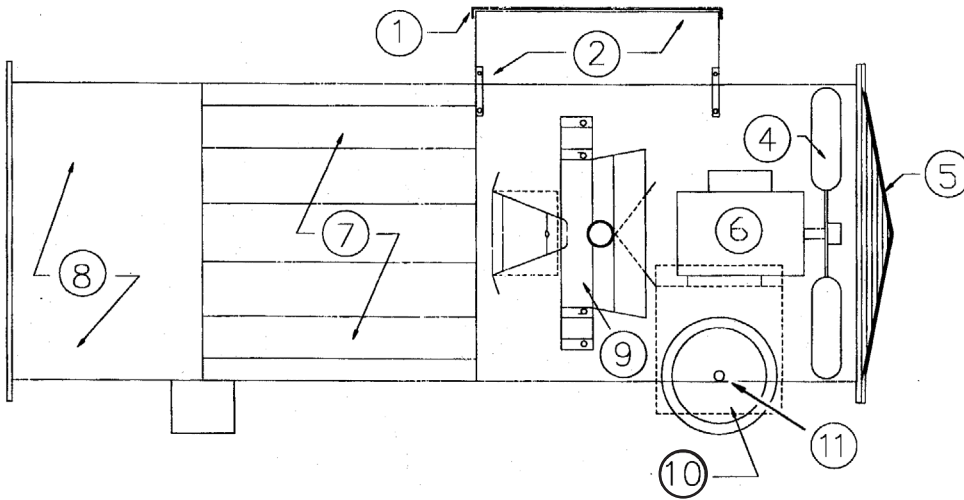
LIQUID  
PIPE TRAIN

Item	Part No.	Description	List Price
<b>Vapor Pipe Train</b>			
1	HWP 40SV06*	2ND STAGE REGULATOR 3/4" x 1"	
2	HWP HV1162	1" LOW PRESSURE REGULATOR	
3	HWP HV1169	15" W.C. LOW PRESSURE GAUGE	
4	HWP HV1032	115V. GAS SOLENOID VALVE 1" DIA.	
5	HWP HV1035	1" BALL VALVE	
6	HWP HV1160	1" LOCKING GAS SELECTOR VALVE	

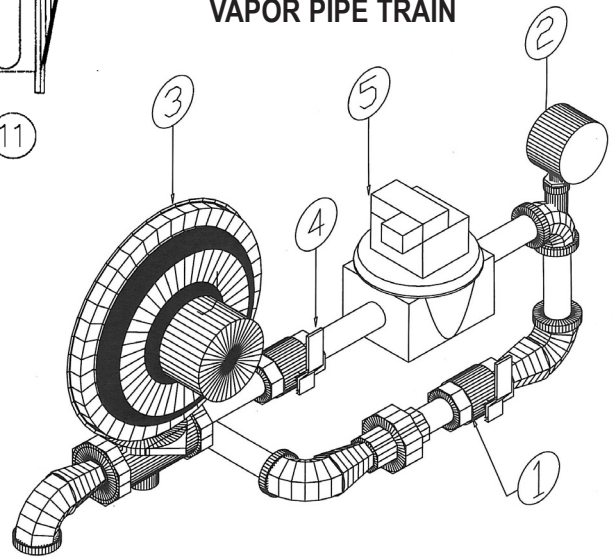
Item	Part No.	Description	List Price
<b>Liquid Pipe Train</b>			
7	HWP HV1039	SAFETY RELIEF VALVE	
8	HWP HV1137	LIQUID PROPANE SOLENOID VALVE	
9	HWP HV1123	MANUAL SHUT-OFF VALVE	
10	HWP HV1054	LIQUID PRESSURE GAUGE	
11	HWP HV1129	LIQUID STRAINER	
12	HWP HV1140	COIL	
13	HWP HV1042B	HOSE	
14	HWP HR1053	HIGH PRESSURE REGULATOR	

# 1800B

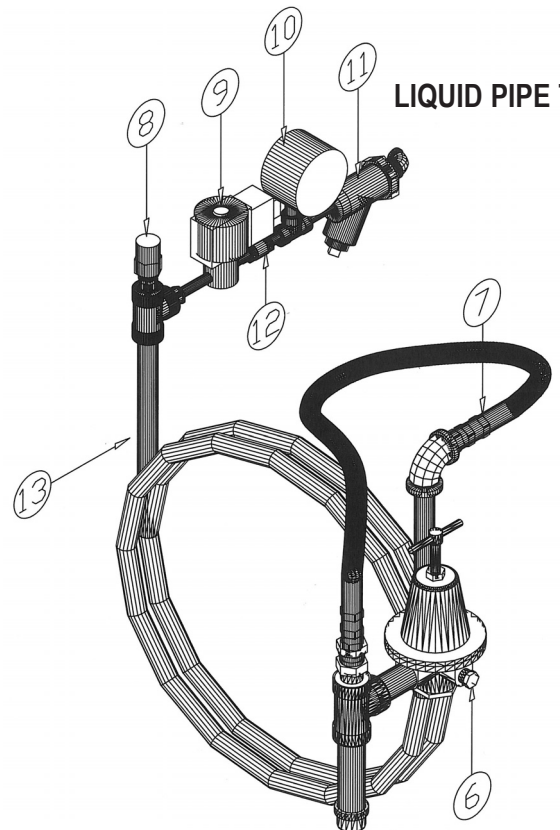
## 750,000 BTU



### VAPOR PIPE TRAIN



### LIQUID PIPE TRAIN



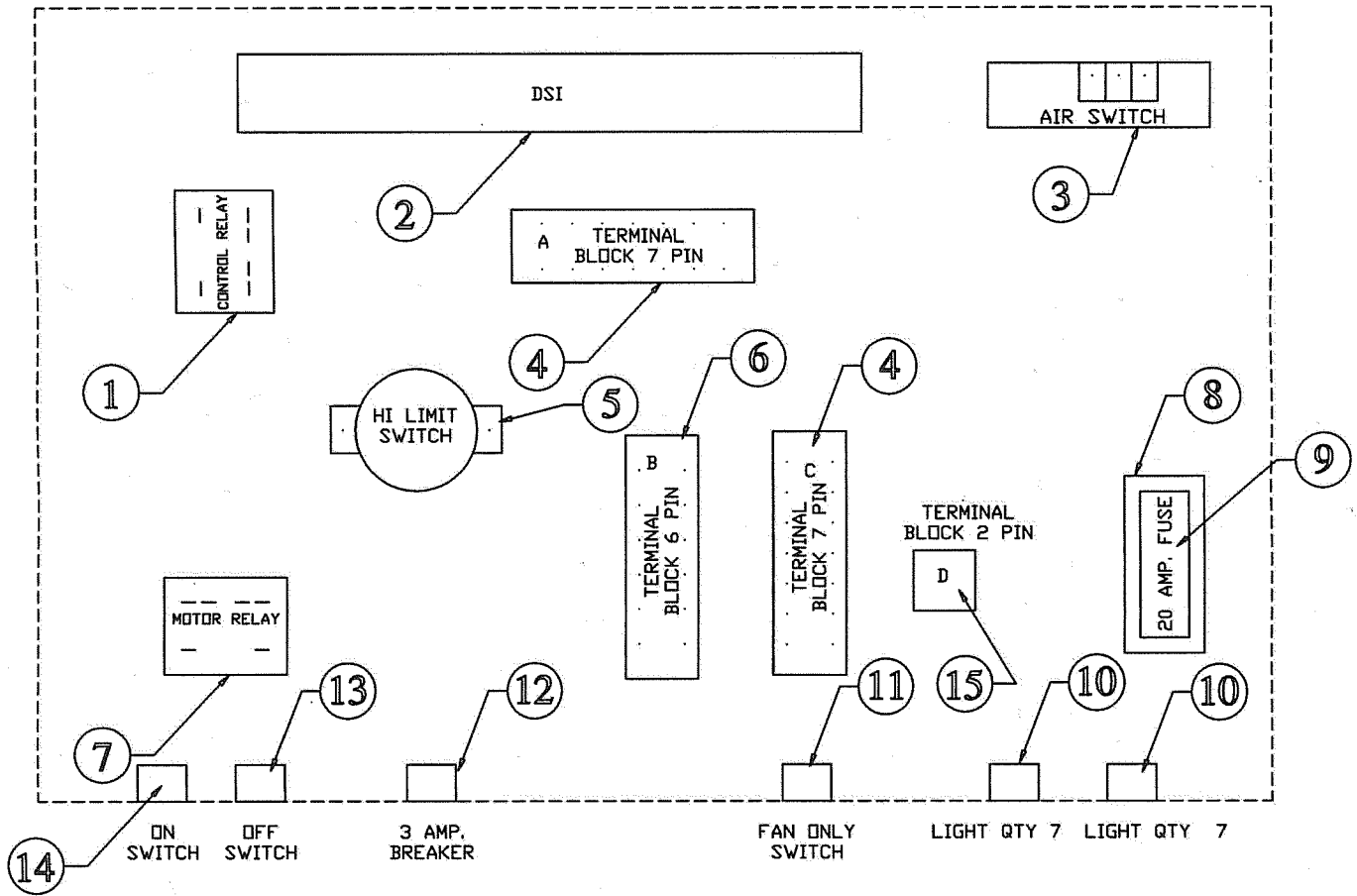
Item	Part No.	Description
<b>BODY</b>		
1	HWP HC1082	LID/CONTROL BOX
2	HWP HC1083	CONTROL BOX WO/LID
4	HWP HP1161	FAN BLADE
5	HWP HG1167	FAN GUARD
6	SFP 9262	MOTOR 1 HP
7	HWP HB1177	HEAT SHIELD
8	HWP HB1800B	BODY
9	HWP HB1171	BURNER
10	HWP HW1164	WHEEL 8"x 1.75" x 1/2" HUB
11	HWP HW1164B	AXLE FOR 1800

### PIPE TRAINS

1	HWP HV1160	1" LOCKING GAS SELECTOR VALVE
2	HWP HV1169	15" W.C. LOW PRESSURE GAUGE
3	ACC 40SV06	2ND STAGE REGULATOR 3/4" X 1"
4	HWP HV1035	1" BALL VALVE
5	SFP 4490	2ND STAGE REGULATOR VALVE
6	HWP HR1053	HIGH PRESSURE REGULATOR
7	HWP HV1042B	HOSE
8	HWP HV1039	SAFETY RELIEF VALVE
9	HWP HV1137	LIQUID PROPANE SOLENOID VALVE
10	HWP HV1060	LIQUID PRESSURE GAUGE
11	HWP HV1129	LIQUID STRAINER
12	HWP HV1123	MANUAL SHUT-OFF VALVE
13	HWP HV1140	COIL

# 1800B

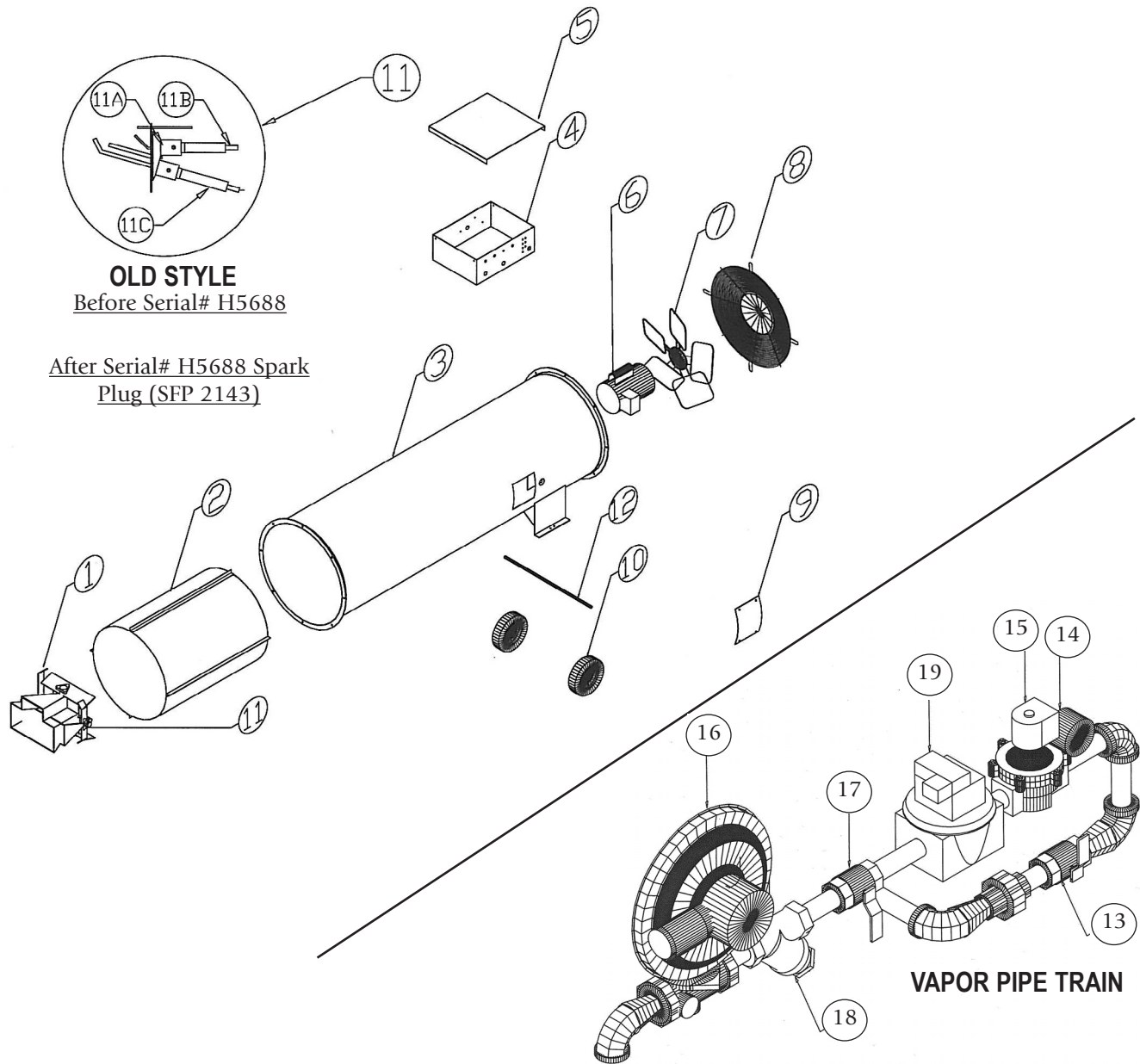
## 750,000 BTU



Item	Part No.	Description
1	SFP 9264	Control Relay
2	HWP HC1001D	DSI Control
3	SFP S1500-710	Air Switch
4	HWP HC1123	Terminal Block (A,C)
5	SFP 2446	Hi Limit Switch
6	HWP HC1123	Terminal Block (C)
7	SFP 9264	Motor Relay
8	HWP HC1122	Fuse Block
9	HWP HC1115	Fuse 20 Amp
10	HWP 44130	Light
11	HWP HC1011	Fan Only Switch
12	HWP HC1019B	3 Amp Breaker
13	HWP HC1150	Off Switch
14	HWP HC1149	On Switch
15	HWP HC1123	Terminal Block (D)
	HWP HC1120	Thermostat (w/o Cord) (Not Shown)
	HWP HC1020	Power Cord (Not Shown)
	SFP 2142	Spark Plug (Not Shown)
	SFP SL11B86	Flame Rod (Not Shown)
	SFP HC1008	Flame Sensor / Ignition Wire Kit

# 950H

## 950,000 BTU



**OLD STYLE**  
Before Serial# H5688

After Serial# H5688 Spark  
Plug (SFP 2143)

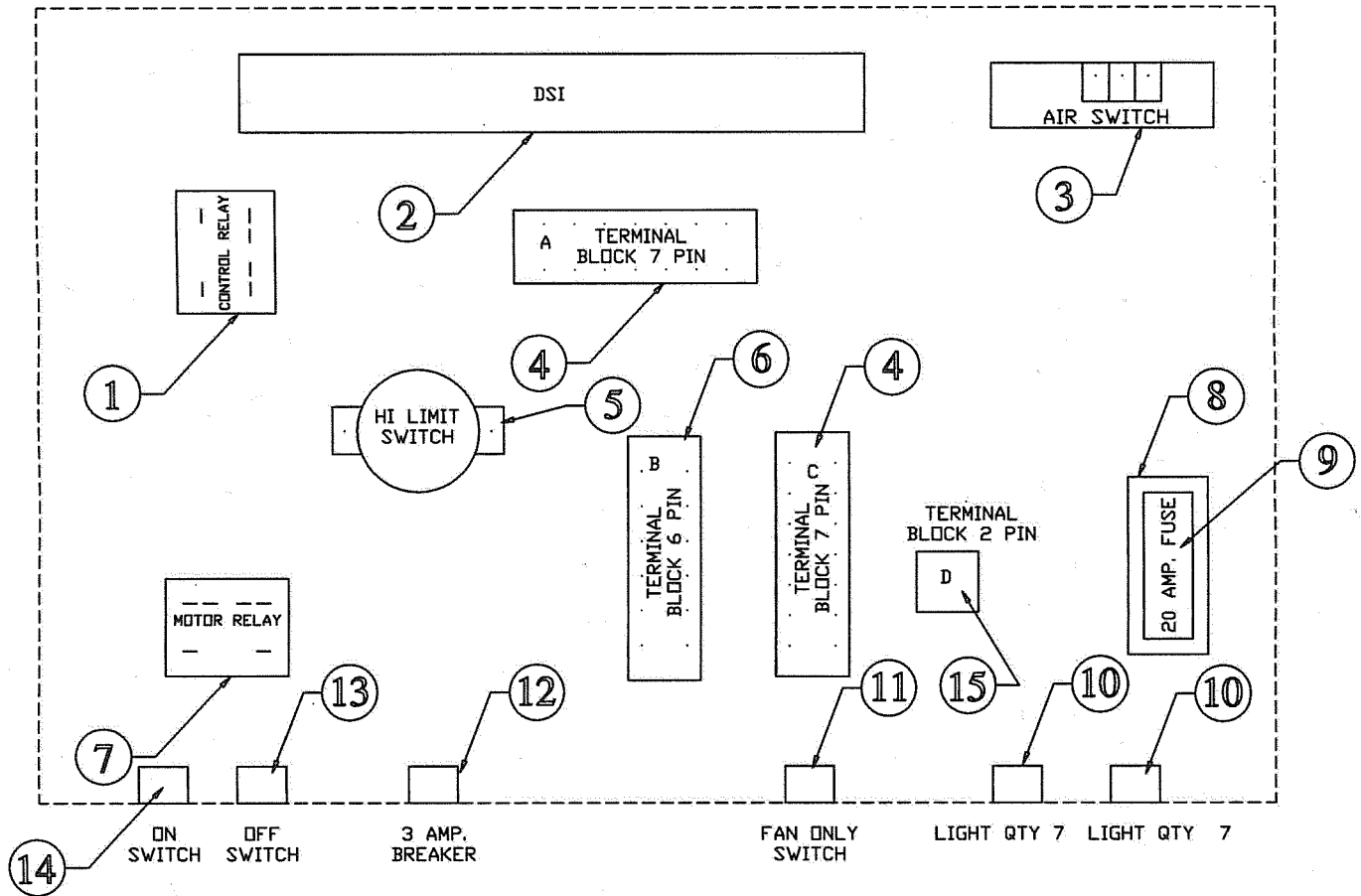
### VAPOR PIPE TRAIN

Item	Part No.	Description
1	HWP HB1171B	Burner Complete
2	HWP HB1177C	Heat Shield
3	HWP HB950A	Heater Body Shell
4	HWP HC1083	Control Box
5	HWP HC1082	Control Box Lid
6	HWP HM1050	Motor
7	HWP HP1162	Fan Blade
8	HWP HG950A	22" Fan Guard
9	HWP HC1064	Burner Access Door
10	HWP HW1065	Wheel(950H - Non-Stackable)
11	HWP 1190310	Pilot w/Spark Rod and Flame Rod
11A	HWP 1190310BR	Pilot Assy. Bracket

Item	Part No.	Description
11B	HWP 134290	Igniter
	SFP 2143	Spark Plug - After Serial#H5688
11C	HWP 136003	Flame Rod
12	HWP HW1065B	Axle(950H - Non-Stackable)
Vapor Pipe Train		
13	HWP HV1120	Gas Selector Valve 1-1/4" Locking
14	HWP HV1169	Gauge 15" W.C.
15	HWP HV1138	1-1/4" Solenoid Valve
16	ACC 11SV08*	Regulator
17	HWP HV1121	1-1/4" Ball Valve
18	HWP HV1122	1-1/4" Y Strainer
19	SFP 4490	2 Stage Regulator Valve

# 950H

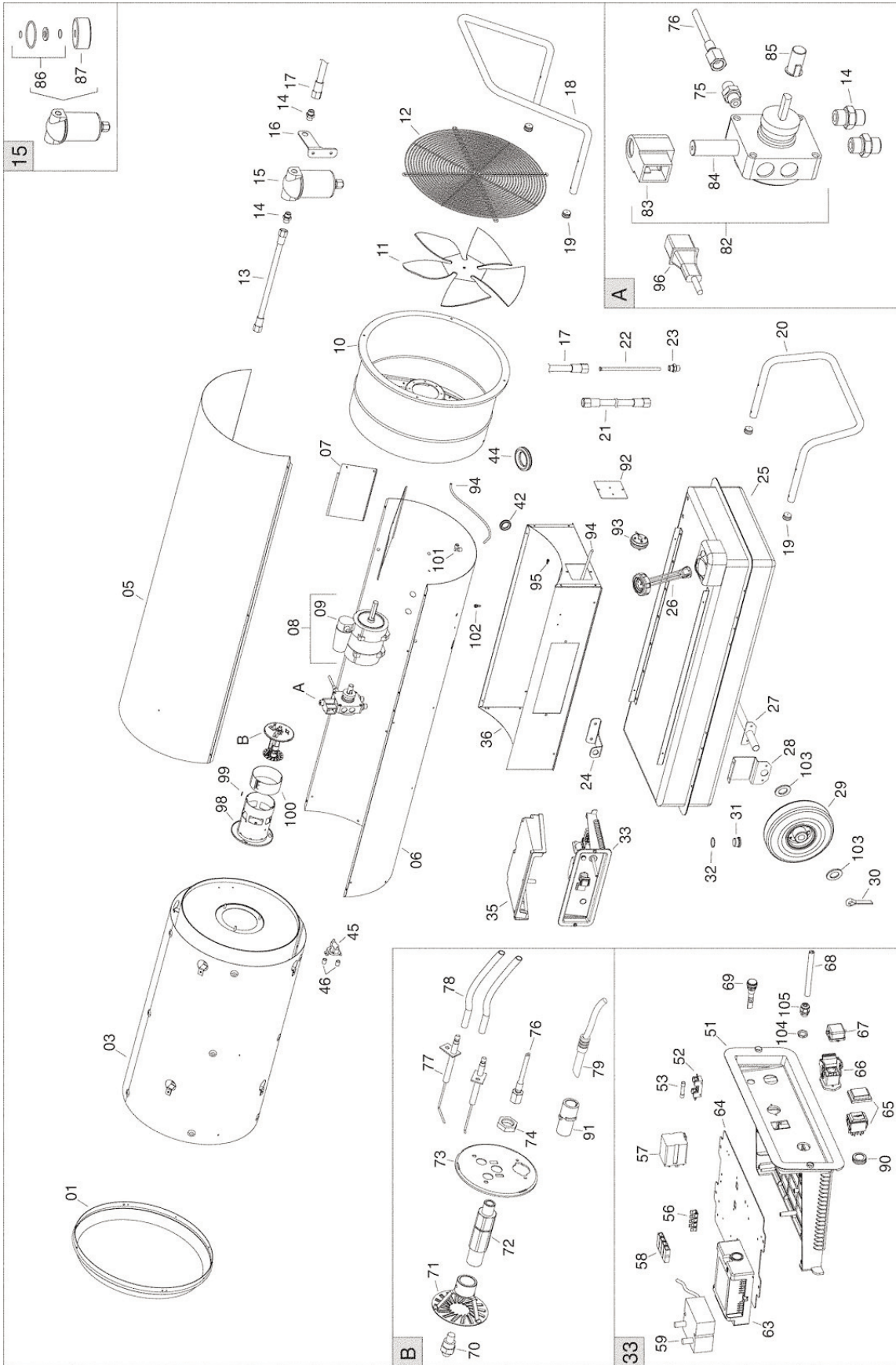
## 950,000 BTU



Item	Part No.	Description
1	SFP 9264	Control Relay
2	HWP HC1001D	DSI Control
3	SFP S1500-710	Air Switch
4	HWP HC1123	Terminal Block (A,C)
5	SFP 2446	Hi Limit Switch
6	HWP HC1123	Terminal Block (C)
7	SFP 9264	Motor Relay
8	HWP HC1122	Fuse Block
9	HWP HC1115	Fuse 20 Amp
10	HWP 44130	Light
11	HWP HC1011	Fan Only Switch
12	HWP HC1019B	3 Amp Breaker
13	HWP HC1150	Off Switch
14	HWP HC1149	On Switch
15	HWP HC1123	Terminal Block (D)
	HWP HC1120	Thermostat (w/o Cord) (Not Shown)
	HWP HC1020	Power Cord (Not Shown)
	SFP 2142	Spark Plug (Not Shown)
	SFP SL11B86	Flame Rod (Not Shown)
	SFP HC1008	Flame Sensor / Ignition Wire Kit

# DF400

## 400,000 BTU





# DF400

## 400,000 BTU

Item	Part No.	Description
01	BIE G06139-9010	Outlet cone
03	BIE G06231	Combustion chamber
05	BIE G06234-9010	Upper body
06	BIE G06237-9010	Lower body
07	BIE G06397	Air conveyor
AACO Motor		
08	BIE E10704-110	Motor
09	BIE E11249	Capacitor
SIMEL Motor		
08	BIE E10772	Motor
09	BIE E10772-1	Capacitor
10	BIE G06239-9010	Air conveyor
11	BIE T10215-B	Fan
12	BIE P30129	Inlet grill
13	BIE I40330	Flex diesel pipe
14	BIE I20104	Iron fitting
15	BIE T20239	Diesel pre-heated filter
16	BIE G06104-9005	Filter support bracket
17	BIE I40329	Flex diesel pipe
18	BIE P20176-9005	Handle
19	BIE C30355	Pipe cap
20	BIE P20177-9005	Support
21	BIE I40331	Flex diesel pipe
22	BIE I30696	Suction pipe
23	BIE I30737	Brass fitting
24	BIE G06068-9005	Power cord support
25	BIE G06128-9005	Fuel tank
26	BIE C30363	Cap with level control
27	BIE G06465-9005	Wheel axle
28	BIE G06106-9005	Wheels axle support bracket
29	BIE C10510	Wheel - Hard rubber
	BIE C10556	Wheel - Air filled
30	BIE M20507	Cotter pin
31	BIE I25020	Drain cap
32	BIE C30375	O-ring
33	BIE G00248	El. control box
35	BIE P50127	Control box cover
36	BIE G06411-9010	Base
42	BIE C30323	Cable protection
44	BIE C30372	Cable protection
45	BIE E50102	Safety thermostat
46	BIE G06072	Spacer
51	BIE G06153	El. control box panel
52	BIE E20508	Fuse holder
53	BIE E10313	Fuse

Item	Part No.	Description
56	BIE E20319	Ground terminal board
57	BIE E11125	Relay
58	BIE E20305	Terminal board
59	BIE E10930	H.T. Transformer
63	BIE E40124	Flame control box
64	BIE G06073	Support plate
65	BIE E10102-P	Switch
66	BIE E20640	Thermostat plug
67	BIE E20665	Thermostat plug cover
68	BIE E30443	Power cord
	BIE E30443-1	Power cord - with fastener nut
69	BIE E11030	Lamp
70	BIE T20357	Nozzle
71	BIE G01077	Diffuser ring
72	BIE I33005	Nozzle support
73	BIE G06228	Burner plate
74	BIE I31034	Brass lock nut
75	BIE I20115	Iron fitting
76	BIE I40192	Micropipe
77	BIE E10215	Ignition electrode
78	BIE G02078	H.T. Cable connect.
79	BIE E50328BRVERDE	Photocell with support
82	BIE T20411-1	Diesel pump
83	BIE T20118	Solenoid coil
84	BIE T20117	Solenoid valve body
AACO Motor		
85	BIE E10514	Motor-pump coupling
SIMEL Motor		
85	BIE E10698	Motor-pump coupling
86	BIE T20241	Filter seal kit
87	BIE T20242	Filter cartridge
90	BIE E20418	Stop button protection
91	BIE E50327-50	Photoresistor support
92	BIE G06406-9010	Pressure switch support bracket
93	BIE E50440	Pressure switch
94	BIE I40335	Silicone pipe
95	BIE I31131	Brass hose connection
96	BIE T20442	Solenoid valve cable
98	BIE G06249	Blast tube
99	BIE E20671	Terminal board
100	BIE G06183	Air adjustment shutter
101	BIE I20325	Fitting
102	BIE I31130	Brass hose connection
103	BIE M20111	Washer
104	BIE E20965	Cable fastener nut
105	BIE E20964	Cable fastener

### Optional Thermostat

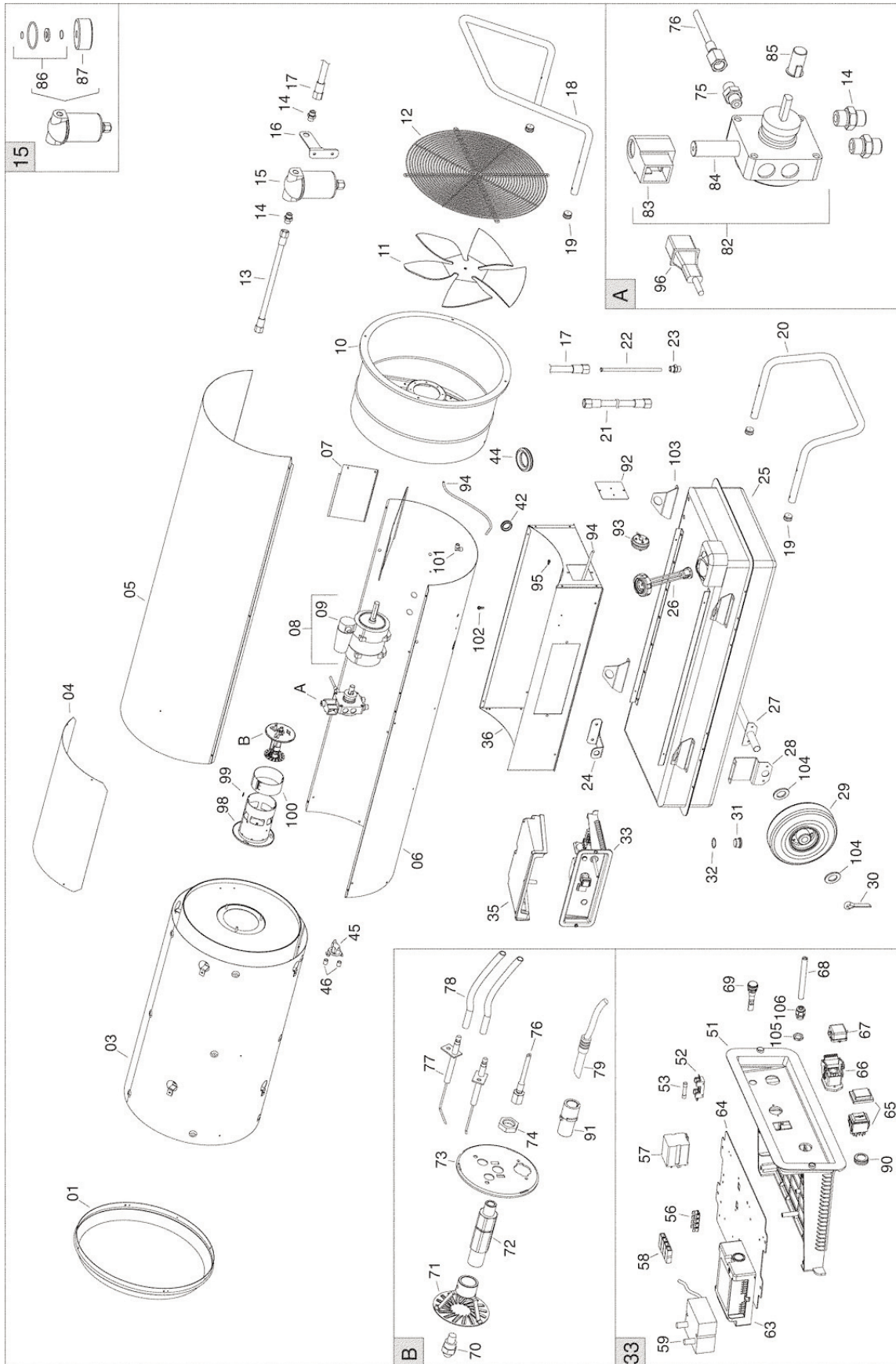
ACC THIDF	Optional thermostat w/50' cord
HWP 7979K62	4 pin plug insert
HWP 7979K68	4 pin plug cover

NOTE: Not shown  
BIE E10325

Fuse for flame control box

# DF600

## 600,000 BTU



# DF600

## 600,000 BTU

Item	Part No.	Description
01	BIE G06139-9010	Outlet cone
03	BIE G06232	Combustion chamber
04	BIE G06143-9010	Panel
05	BIE G06235-9010	Upper body
06	BIE G06238-9010	Lower body
07	BIE G06397	Air conveyor
AACO Motor		
08	BIE E10704-110	Motor
09	BIE E11249	Capacitor
SIMEL Motor		
08	BIE E10772	Motor
09	BIE E10772-1	Capacitor
10	BIE G06239-9010	Air conveyor
11	BIE T10263	Fan
12	BIE P30129	Inlet grill
13	BIE I40330	Flex diesel pipe
14	BIE I20104	Iron fitting
15	BIE T20239	Diesel pre-heated filter
16	BIE G06104-9005	Filter support bracket
17	BIE I40329	Flex diesel pipe
18	BIE P20176-9005	Handle
19	BIE C30355	Pipe cap
20	BIE P20180-9005	Support
21	BIE I40331	Flex diesel pipe
22	BIE I30698	Suction pipe
23	BIE I30737	Brass fitting
24	BIE G06068-9005	Power cord support
25	BIE G06146-9005	Fuel tank
26	BIE C30364	Cap with level control
27	BIE G06465-9005	Wheel axle
28	BIE G06107-9005	Wheels axle support bracket
29	BIE C10510	Wheel - Hard rubber
	BIE C10556	Wheel - Air filled
30	BIE M20507	Cotter pin
31	BIE I25020	Drain cap
32	BIE C30375	O-ring
33	BIE G00251	El. control box
35	BIE P50127	Control box cover
36	BIE G06411-9010	Base
42	BIE C30323	Cable protection
44	BIE C30372	Cable protection
45	BIE E50102	Safety thermostat
46	BIE G06072	Spacer
51	BIE G06153	El. control box panel
52	BIE E20508	Fuse holder
53	BIE E10313	Fuse

Item	Part No.	Description
56	BIE E20319	Ground terminal board
57	BIE E11125	Relay
58	BIE E20305	Terminal board
59	BIE E10917-2	H.T. Transformer
63	BIE E40124	Flame control box
64	BIE G06073	Support plate
65	BIE E10102-P	Switch
66	BIE E20640	Thermostat plug
67	BIE E20665	Thermostat plug cover
68	BIE E30443	Power cord
	BIE E30443-1	Power cord - with fastener nut
69	BIE E11030	Lamp
70	BIE T20327	Nozzle
71	BIE G07025	Diffuser ring
72	BIE I33005	Nozzle support
73	BIE G06229	Burner plate
74	BIE I31034	Brass lock nut
75	BIE I20115	Iron fitting
76	BIE I40192	Micropipe
77	BIE E10215	Ignition electrode
78	BIE G02076	H.T. Cable connect.
79	BIE E50329BRVERDE	Photocell with support
82	BIE T20411-1	Diesel pump
83	BIE T20118	Solenoid coil
84	BIE T20117	Solenoid valve body
AACO Motor		
85	BIE E10514	Motor-pump coupling
SIMEL Motor		
85	BIE E10698	Motor-pump coupling
86	BIE T20241	Filter seal kit
87	BIE T20242	Filter cartridge
90	BIE E20418	Stop button protection
91	BIE E50327-50	Photoresistor support
92	BIE G06406-9010	Pressure switch support bracket
93	BIE E50441	Pressure switch
94	BIE I40335	Silicone pipe
95	BIE I31131	Brass hose connection
96	BIE T20442	Solenoid valve cable
98	BIE G06412	Blast tube
99	BIE E20671	Terminal board
100	BIE G06183	Air adjustment shutter
101	BIE I20325	Fitting
102	BIE I31130	Brass hose connection
103	BIE G06111-9005	Lifting bracket
104	BIE M20111	Washer
105	BIE E20965	Cable fastener nut
106	BIE E20964	Cable fastener

### Optional Thermostat

BIE THIDF	Optional thermostat w/50' cord
BIE 7979K62	4 pin plug insert
BIE 7979K68	4 pin plug cover

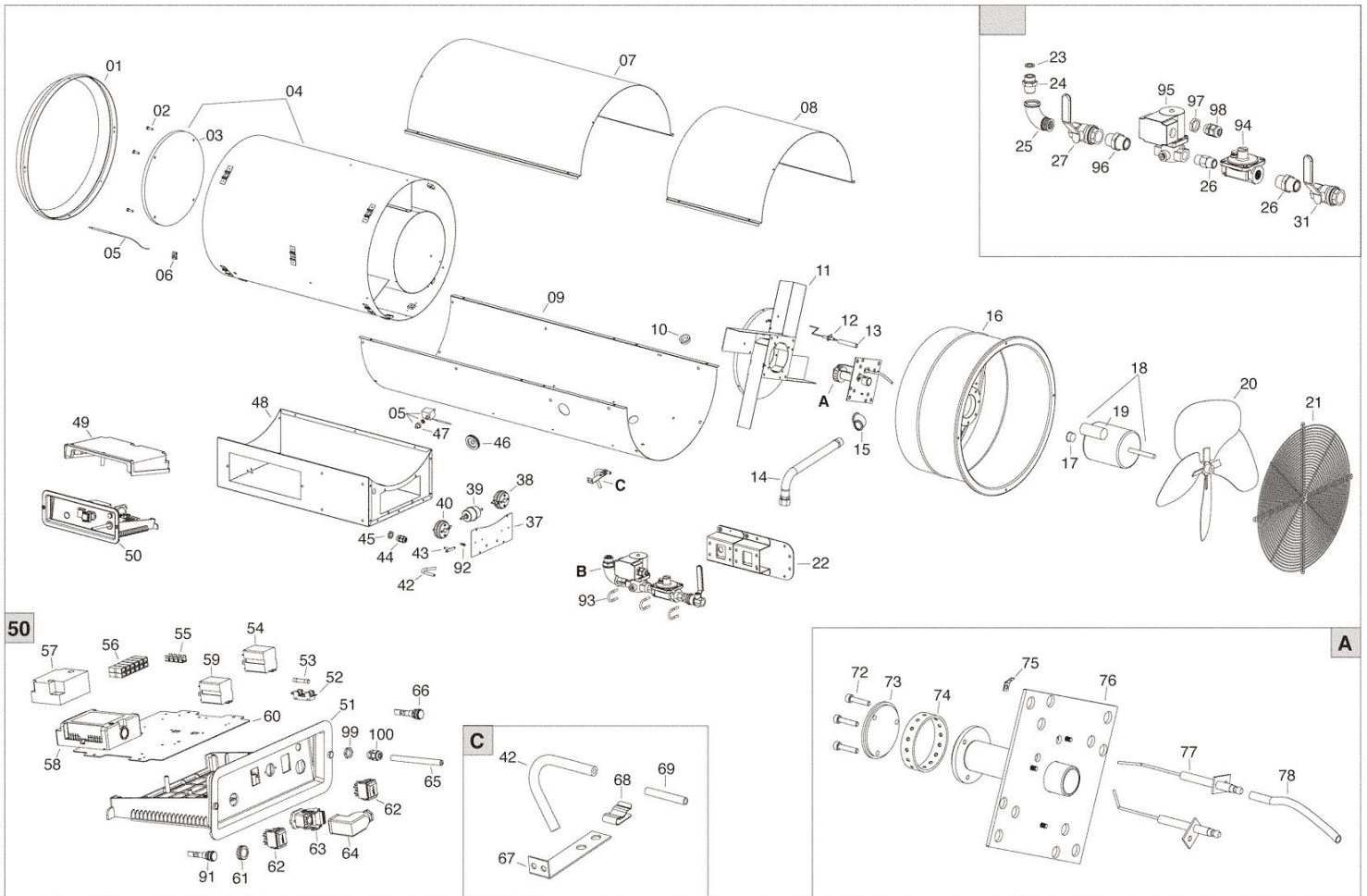
NOTE: Not shown

BIE E10325	Fuse for flame control box
------------	----------------------------

# DG250

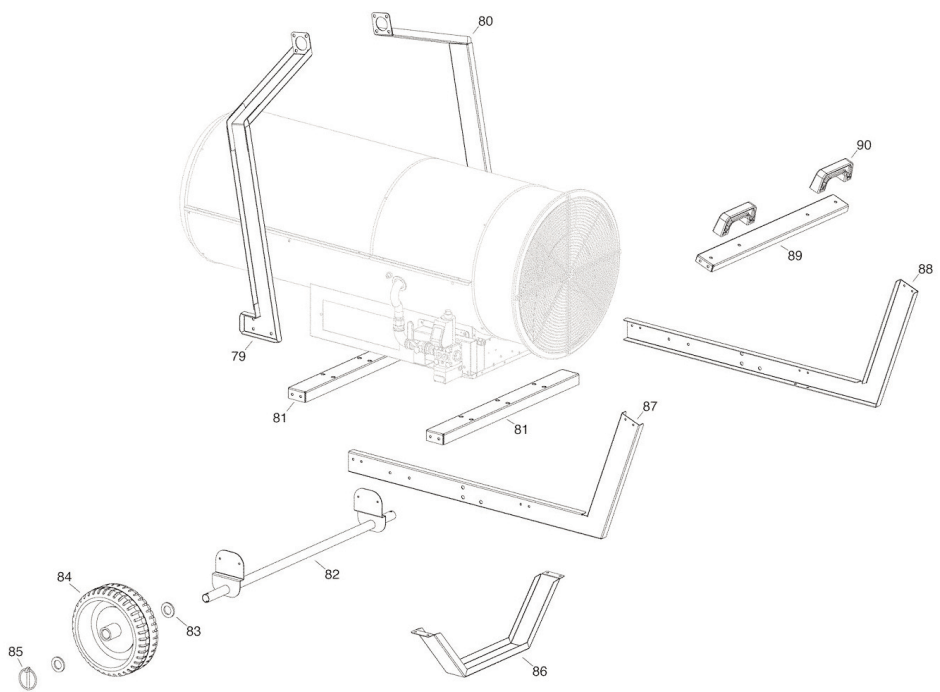
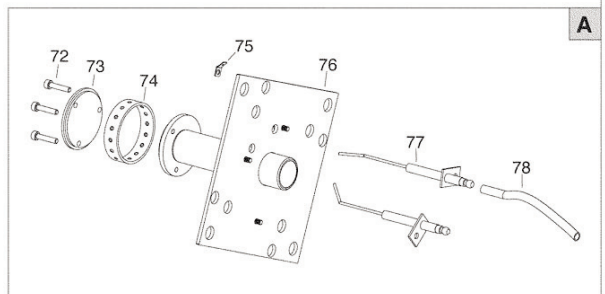
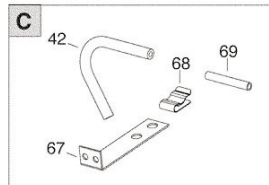
## 241,000 BTU

### Serial#43300141 to Current



50

A



# DG250

## 241,000 BTU

### Serial#43300141 to Current

Item	Part No.	Description
01	BIE G03146-9005	Outlet cone
02	BIE M10203/1/B	Screw
03	BIE G03113	Front disc
04	BIE G03148	Combustion chamber
05	BIE E50745	Safety thermostat
06	BIE M20413	Hose bracket
07	BIE G03149-9010	Upper body
08	BIE G03151-9010	Inspection panel
09	BIE G03153-9010	Lower body
10	BIE C30372	Cable protection
11	BIE G03155	Rear disc
12	BIE E10245	Ionisation electrode
13	BIE I40332	Silicone pipe
14	BIE I39106	Flex gas pipe
15	BIE I20326	Fitting
16	BIE G06125-9005	Air conveyor
17	BIE C30374	Pipe cap
18	BIE E10678-110	Motor - AACO
	BIE E10771	Motor - Simel
19	BIE E11230	Capacitor - For AACO motor (40mf)
	BIE E10771-1	Capacitor - For Simel motor (30mf)
20	BIE T10260	Fan
21	BIE P30169	Inlet grill
22	BIE G03414-9005	Valve support plate
23	BIE I39102	Seal
24	BIE I31205-1	Fitting
25	BIE I20327	Fitting
26	BIE I31209-1	Fitting
27	BIE T30330-3	Gas selector valve
31	BIE T30349	Gas manual valve
37	BIE G03156-9010	Pressure switch support bracket
38	BIE E50444	Pressure switch 260 Pa
39	BIE I30414	Filter
40	BIE E50440	Pressure switch 100Pa
42	BIE I40335	Silicone pipe 39"
43	BIE I20669	Hose connection
44	BIE E20952	Cable fastener
45	BIE E20955	Cable fastener nut
46	BIE C30376	Cable protection
47	BIE E50750	Safety thermostat plastic profile
48	BIE G03158-9010	Base
49	BIE P50127	Control box cover
50	BIE G00375-5P	El. control box-w/5 pin T-stat recep.
	BIE G00287	El. control box-w/4 pin T-stat recep.
51	BIE G03176	El. control box panel
52	BIE E20508	Fuse holder
53	BIE E10323	Fuse
54	BIE E11153	Relay
55	BIE E20319	Ground terminal board
56	BIE E20305	Terminal board
57	BIE E10931	H.T. Transformer
58	BIE E40229	Flame control box
59	BIE E11125	Relay
60	BIE G06073	Support plate
61	BIE E20418	Stop button protection

Item	Part No.	Description
62	BIE E10110-1-P	Switch
63	BIE E20639	Plug housing - 5 pin, female
	BIE E20640	Plug housing - 4 pin, female
64	BIE E20966	Plug with jumper - 5 pin
	BIE E20675	Plug with jumper - 4 pin
65	BIE E30443	Power cord
	BIE E30443-1	Power cord (used with cable nut)
66	BIE E11030	Lamp
67	BIE G03144-X	Stirrup
68	BIE M20413	Hose bracket
69	BIE I40303	Pipe
72	BIE M10323/1	Screw
73	BIE GA.0010208	Burner disc
74	BIE GA.0110205	Diffuser ring
75	BIE E20679	Terminal board
76	BIE G03129	Burner support plate
77	BIE E10215	Ignition electrode
78	BIE G02078	H.T. Cable connect.
79	BIE G03160-9005	Lifting bracket
80	BIE G03161-9005	Lifting bracket
81	BIE G03162-9005	Frame
82	BIE G03163-9005	Wheel axle
83	BIE M20111	Washer
84	BIE C10556	Wheel - Air filled
	BIE C10510	Wheel - Hard rubber
85	BIE M20505	Latched pin
86	BIE G03164-9005	Support
87	BIE G03165-9005	Frame
88	BIE G03166-9005	Frame
89	BIE G03167-9005	Handle plate
90	BIE C10203	Handle
91	BIE E11021	Lamp
92	BIE I31131	Brass hose connection
93	BIE I31132	Brass hose connection
94	BIE T30119	Regulator
95	BIE T30118	Gas valve unit
96	BIE I20335	Fitting
97	BIE E20950	Fastener nut
98	BIE E20949	Cable fastener
99	BIE E20965	Cable nut
100	BIE E20964	Cable fastener

NOTE: Not shown  
BIE E10325

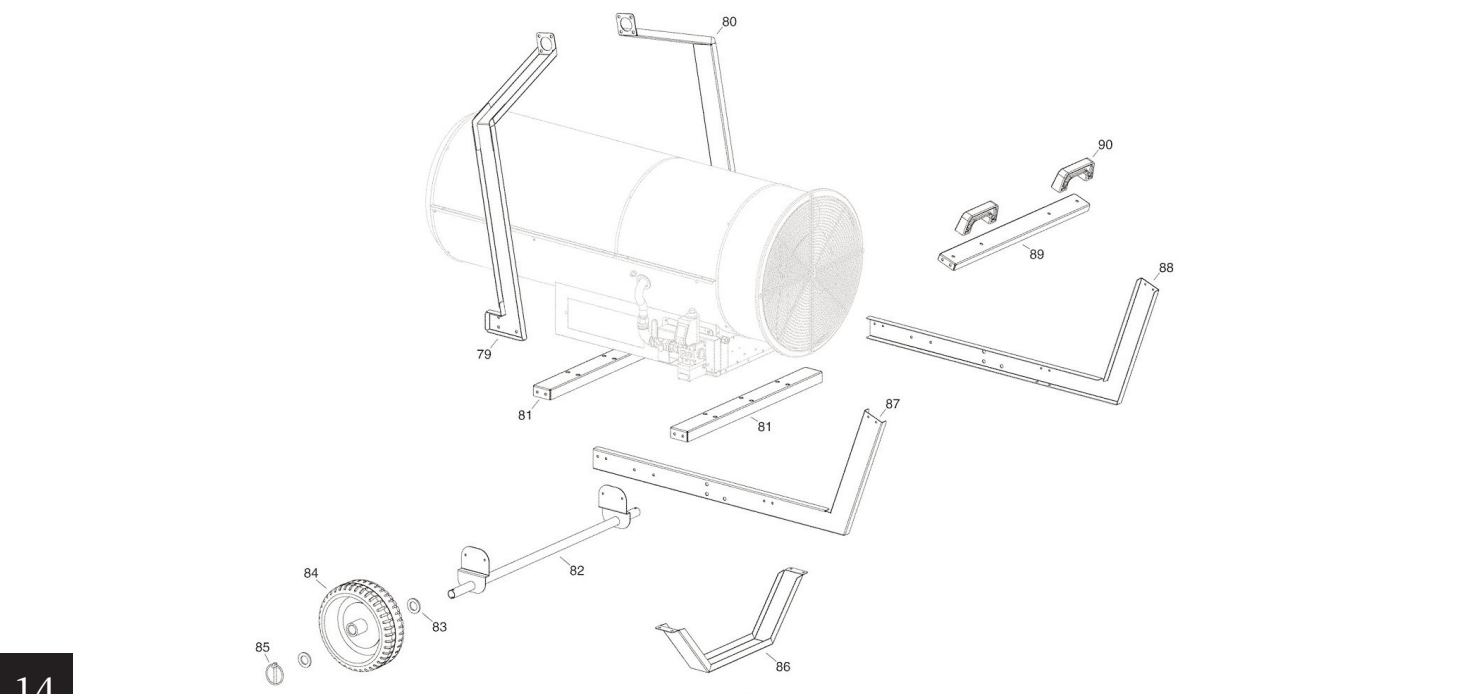
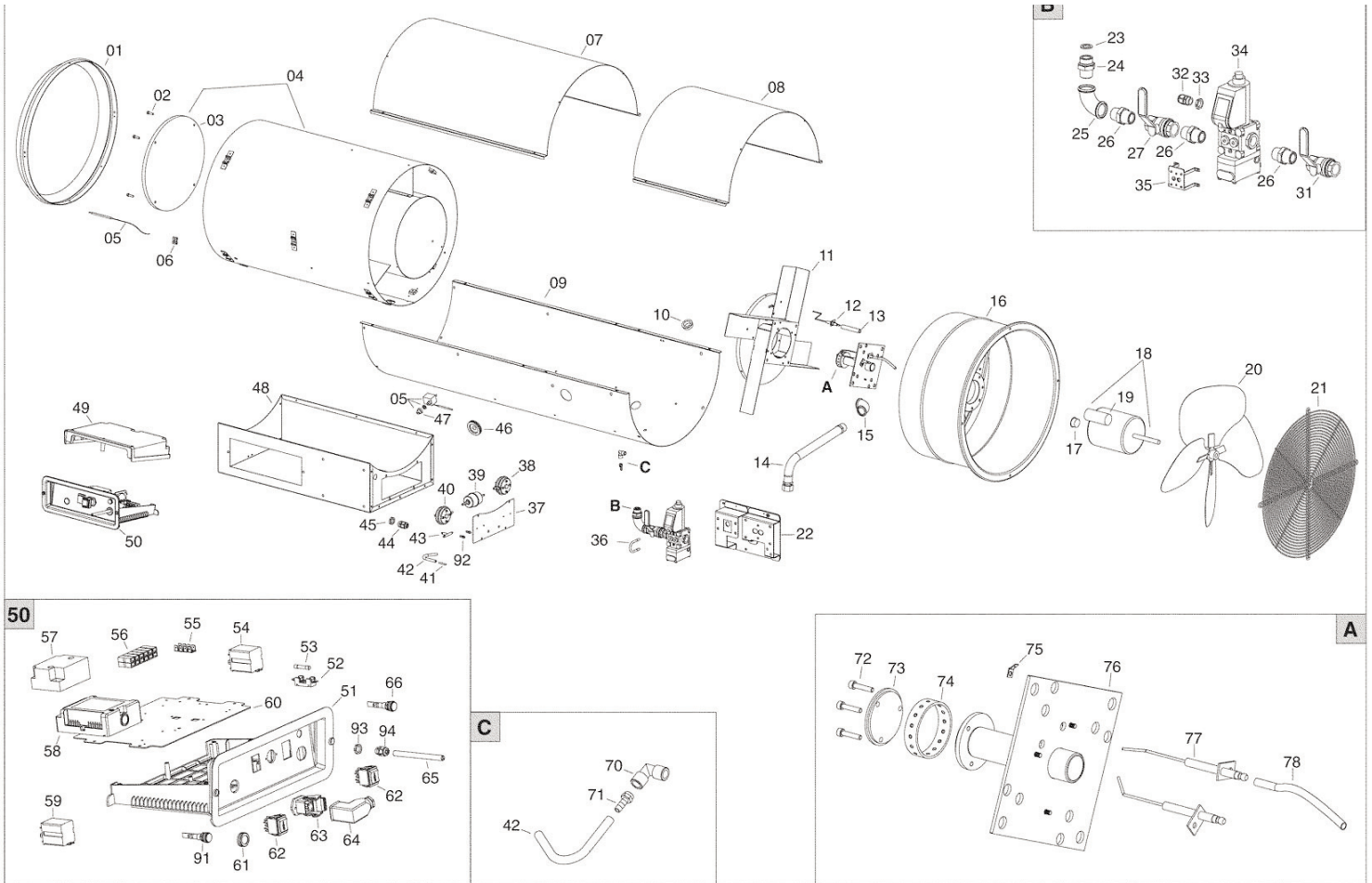
Fuse for Flame Control Box

#### Optional Thermostat (5 Pin)

HWP DIGTHIDF-5	Optional thermostat with 50' cord
HWP 7979K24	5 pin plug insert
HWP 7979K32	5 pin plug cover

# DG400

## 394,000 BTU



# DG400

## 394,000 BTU

Item	Part No.	Description
01	BIE G06139-9005	Outlet cone
02	BIE M10203/1/B	Screw
03	BIE G03114	Front disc
04	BIE G03147	Combustion chamber
05	BIE E50745	Safety thermostat
06	BIE M20413	Hose bracket
07	BIE G03150-9010	Lower body
08	BIE G03152-9010	Inspection panel
09	BIE G03154-9010	Lower body
10	BIE C30372	Cable protection
11	BIE G03126	Rear disc
12	BIE GA.0100206	Ionisation electrode
13	BIE I40332	Silicone pipe
14	BIE I39106	Flex gas pipe
15	BIE I20326	Fitting
16	BIE G06239-9010	Air conveyor
17	BIE C30374	Pipe cap
18	BIE E10704-110	Motor
19	BIE E11249	Capacitor
20	BIE T10261	Fan
21	BIE P30129	Inlet grill
22	BIE G06330-9005	Valve support plate
23	BIE I39102	Seal
24	BIE I31205-1	Fitting
25	BIE I20326	Fitting
26	BIE I31204	Fitting
27	BIE T30330-2	Gas selector valve
31	BIE T30333	Gas manual valve
32	BIE E20943	Cable fastener
33	BIE E20932	Cable fastener nut
34	BIE T30111	Gas valve unit
35	BIE G06332-9005	Gas valve support bracket
36	BIE M20907	Stirrup
37	BIE G03157-9010	Pressure switch support bracket
38	BIE E50443	Pressure switch
39	BIE I30414	Filter
40	BIE E50441	Pressure switch
41	BIE I40336	Rilsan pipe
42	BIE I40335	Silicone pipe
43	BIE I20669	Hose connection
44	BIE E20952	Cable fastener
45	BIE E20955	Cable fastener nut
46	BIE C30376	Cable protection
47	BIE E50750	Safety thermostat plastic profile
48	BIE G03159-9010	Base
49	BIE P50127	Control box cover
50	BIE G00286-5P	El. control box
51	BIE G03176	El. control box panel
52	BIE E20508	Fuse holder
53	BIE E10313	Fuse
54	BIE E11153	Relay
55	BIE E20319	Ground terminal board
56	BIE E20305	Terminal board
57	BIE E10931	H.T. Transformer
58	BIE E40229	Flame control box

Item	Part No.	Description
59	BIE E11125	Relay
60	BIE G06073	Support plate
61	BIE E20418	Stop button protection
62	BIE E10110-1-P	Switch
63	BIE E20639	Thermostat plug (5 pin)
64	BIE E20966	Plug with jumper (5 pin)
65	BIE E30443	Power cord
66	BIE E11030	Lamp
70	BIE I20325	Fitting
71	BIE I31130	Brass hose connection
72	BIE M10323/1	Screw
73	BIE GA.0010208	Burner disc
74	BIE GA.0100204	Diffuser ring
75	BIE E20679	Terminal board
76	BIE G03129	Burner support plate
77	BIE E10215	Ignition electrode
78	BIE G02078	H.T. Cable connection
79	BIE G03168-9005	Lifting bracket
80	BIE G03169-9005	Lifting bracket
81	BIE G03170-9005	Frame
82	BIE G03171-9005	Wheel axle
83	BIE M20111	Washer
84	BIE C10556	Wheel
85	BIE M20505	Latched pin
86	BIE G03172-9005	Support
87	BIE G03173-9005	Frame
88	BIE G03174-9005	Frame
89	BIE G03175-9005	Handle
90	BIE C10203	Handle
91	BIE E11021	Lamp
92	BIE I31131	Brass hose connection

**NOTE:**

*For units prior to SN 43403001*

50	BIE G00286	El. comp. drawer
63	BIE E20640	Thermostat plug 4P (4 pin)
64	BIE E20675	Plate plug 3P+T(4 pin)

**NOTE:**

*For units SN 43400232 and beyond*

18	BIE E10772	Motor
19	BIE E10772-1	Capacitor
65	BIE E30443-1	Cord only
93	BIE E20965	Cable nut
94	BIE E20964	Cable fastener

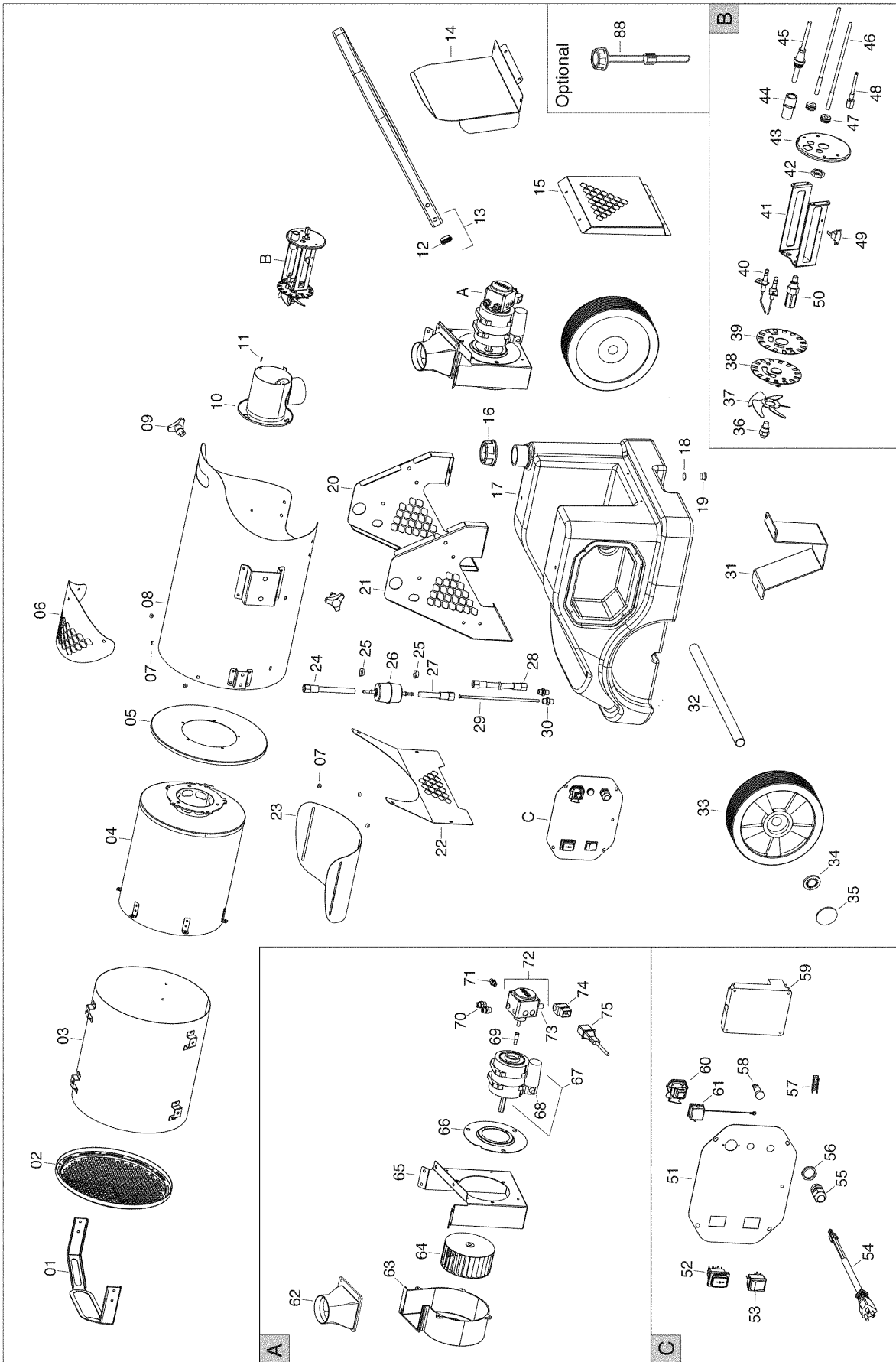
**NOTE: Not shown**

*BIE E10325*

*Fuse for Flame Control Box*

# HRF115

## 115,000 BTU





# HRF115

## 115,000 BTU

Item	Part No.	Description
01	BIE G11051	Protective panel
02	BIE G11052	Front disc
03	BIE G11053	Insulating panel
04	BIE G11054	Combustion chamber
05	BIE G11055	Rear disc
06	BIE G11056N500	Upper protective panel
07	BIE M20820	Spacer
08	BIE G11057-9010	Body
09	BIE C10714	Handwheel
10	BIE G11058	Blast tube
11	BIE E20671	Terminal board
12	BIE C30361	Pipe cap
13	BIE P20304-9005	Handle
14	BIE G11059-9010	Panel
15	BIE G11060-9010	Panel
16	BIE C30383	Tank cap
17	BIE P50150	Fuel tank
18	BIE C30375	O-ring
19	BIE I25020	Drain cap
20	BIE G11061-9010	Panel
21	BIE G11062-9010	Panel
22	BIE G11063-9010	Panel
23	BIE G11064N500	Lower protective panel
24	BIE I40347	Flex diesel pipe
25	BIE C30729	Clip
26	BIE I30414	Filter
27	BIE I40327	Flex diesel pipe
28	BIE I40348	Flex diesel pipe
29	BIE I30696	Suction pipe
30	BIE I30737	Brass fitting
31	BIE G11065-9005	Support
32	BIE G11066-9005	Wheel axle
33	BIE C10504	Wheel
34	BIE M20204	Elastic washer
35	BIE C10513N	Black wheel cover
36	BIE T20339	Nozzle
37	BIE G11069	Air flap
38	BIE G11068	Diffuser ring
39	BIE G11070	Air adjustment disc
40	BIE E10248	Ignition electrode
41	BIE G11020	Electrodes support stirrup
42	BIE I31034	Brass lock nut
43	BIE G11071	Burner support disc
44	BIE E50327-40	Photoresistor support
45	BIE E50335	Photocell with support

Item	Part No.	Description
46	BIE G02089	H.T. Cable connect
47	BIE C30368	Cable protection
48	BIE I40339	Micropipe
49	BIE E50109	Safety thermostat
50	BIE I33007	Nozzle support
51	BIE G11072-9010	El. control box panel
52	BIE E10102-P	Switch
53	BIE E10140	Reset button
54	BIE E30443-1	Power cord
55	BIE E20964	Cable fastener
56	BIE E20965	Cable fastener nut
57	BIE E20319	Ground terminal board
58	BIE E11033	Lamp
59	BIE E40125	Flame control box
60	BIE E20640	Thermostat plug
61	BIE E20665	Thermostat plug cover
62	BIE C10331	Elbow connection
63	BIE C10323	Scroll
64	BIE T10296	Fan
65	BIE G11073-9010	Fan support bracket
66	BIE G11074-9010	Motor support bracket
67	BIE E10769	Motor
68	BIE E10769-1	Capacitor
69	BIE E10698	Motor-pump coupling
70	BIE I20104	Iron fitting
71	BIE I20115	Iron fitting
72	BIE T20448	Diesel pump
73	BIE T20117	Solenoid valve body
74	BIE T20118	Solenoid coil
75	BIE T20442	Solenoid valve cable

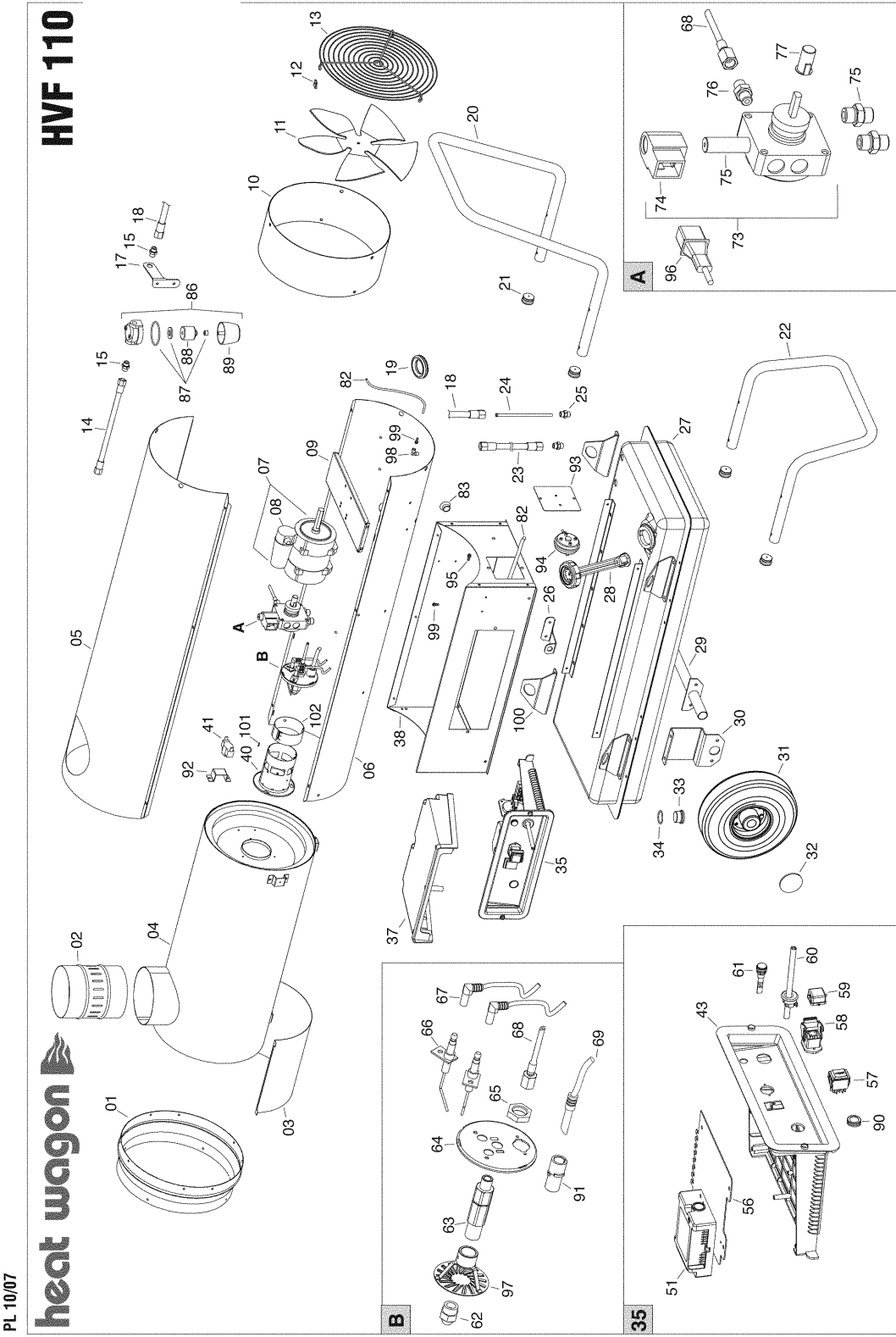
*Not Shown*

BIE E10325	Fuse for flame control box
BIE THIDF	Optional thermostat

# HVF110

## 110,000 BTU

### S/N 21101001 and Beyond



PL 10/07

**heat wagon**

# HVF110

## 110,000 BTU

### S/N 21101001 and Beyond

Item	Part No.	Description
1	BIE G06075-9010	Outlet cone
2	BIE G06077	Chimney 150
3	BIE G06079	Combustion chamber support
4	BIE G06301	Combustion chamber
5	BIE G06083-9010	Upper body
6	BIE G06216-9010	Lower body
7	BIE E10770	Motor 200W with condenser
7A	BIE E10770	Motor starting Serial #21105001
8	BIE E11233	Condenser 20 uF
9	BIE G06217	Motor flange
10	BIE G06070-9010	Fan protection ring
11	BIE T10207	Fan 300 18°
12	BIE M20412	Elastic Plate U42-032
13	BIE P30165	Inlet grille
14	BIE I40330	Tube BP 1/4" FF L.420mm
15	BIE I20104	Nipple FE 1/4" MM
16	BIE T20239	Filter with cartridge
17	BIE G06104-9005	Filter support
18	BIE I40329	Tube BP 1/4" FF L.260mm
19	BIE C30372	Cable protection 35mm
20	BIE P20174-9005	Handle
21	BIE C30355	Plug
22	BIE P20175-9005	Foot
23	BIE I40331	Tube BP 1/4" F L.580mm
24	BIE I30696	Pascante L. 150mm
25	BIE I30737	Nipple OT 1/4" M-M12x1, 75 M
26	BIE G06068-9005	Power lead hook
27	BIE G06110-9005	Fuel tank
28	BIE C30363	Plug with level control
29	BIE G06105-9005	Wheel axle
30	BIE G06106-9005	Wheels axle support
31	BIE C10556	Wheel 260- 25, Air
	BIE C10510	Hard rubber wheel
32	BIE M20202	Spring washer 25
33	BIE I25020	Drain plug
34	BIE C30375	OR 16 x 2,62
35	BIE G00249	El. components drawer
37	BIE P50127	Control box cover
38	BIE G06218-9010	Base
40	BIE G06361	Blast tube
41	BIE E50109	Limit Thermostat
43	BIE G06153	Electr. components drawer
51	BIE E40125	Control box BRAHMA TGRD 71
56	BIE G06184	Plate for electrical components
57	BIE E10102-P	Switch 0 - 1
58	BIE E20640	Thermostat plug 3P+T
59	BIE E20665	Socket Cap
60	BIE E30443	El. wire with plug and cable fastener
61	BIE E11030	Lamp 230V

Item	Part No.	Description
62	BIE T20361	Nozzle 0,55 GPH 80°W
63	BIE I33007	Nozzle support
64	BIE G06228	Burner flange 80mm
65	BIE I31034	Nut M14
66	BIE E10248	Electrode
67	BIE G02078	H.T. Cable connect 90°
68	BIE I40192	Micropipe
69	BIE E50329BRVERDE	Photocell with support
73	BIE T20429-1	Pump Danfoss BFA01R3 w/solenoid valve & coil
74	BIE T20118	Solenoid coil only
75	BIE T20117	Solenoid valve Danfoss
76	BIE I20115	Nipple FE 1/8" MM
77	BIE E10513	Coupling K1
78	BIE E20953	Cable holder PG11
79	BIE E20954	Ring nut PG11
82	BIE I40335	Silicone pipe 4x9
83	BIE C30319	Rubber tap
84	BIE T20241	OR KIT oil filter
85	BIE T20242	Filter cartridge
86	BIE T20201	Oil filter 1/4"
87	BIE T20234	OR KIT oil filter
88	BIE T20206	Filter cartridge
89	BIE T20212	Filter housing
90	BIE E20418	Stop button protection
91	BIE E50327-20	Photoresistance protection
92	BIE G06221	Box fixing bracket
93	BIE G06222-9010	Switch support
94	BIE E50440	100 Pa switch
95	BIE I31131	Conn. Straight 4
96	BIE T20442	Solenoid valve cable
97	BIE G01077	Turbo disc
98	BIE I20325-2	Connection 1/8"
99	BIE I31130	Conn. Straight 6 1/8"
100	BIE G06111-9005	Lifting bracket
101	BIE E20671	Grounding terminal
102	BIE G06183	Air regulation flap

NOTE: Not shown

BIE E10325 Fuse for BRAHMA Control Box  
 ACC THIDF Thermostat (optional)  
 ACC 7979K62 4 Pin plug insert  
 ACC 7979K68 4 Pin plug cover

#### Note for S/N starting 21105001

Part No.	Description
BIE E10770	Motor
BIE E10770-1	Capacitor 25uF
BIE E30443-1	Cord only, Fittings extra
BIE E10698	Motor pump coupling
BIE E20965	Cable fastener nut
BIE E20964	Cable fastener

# HVF210

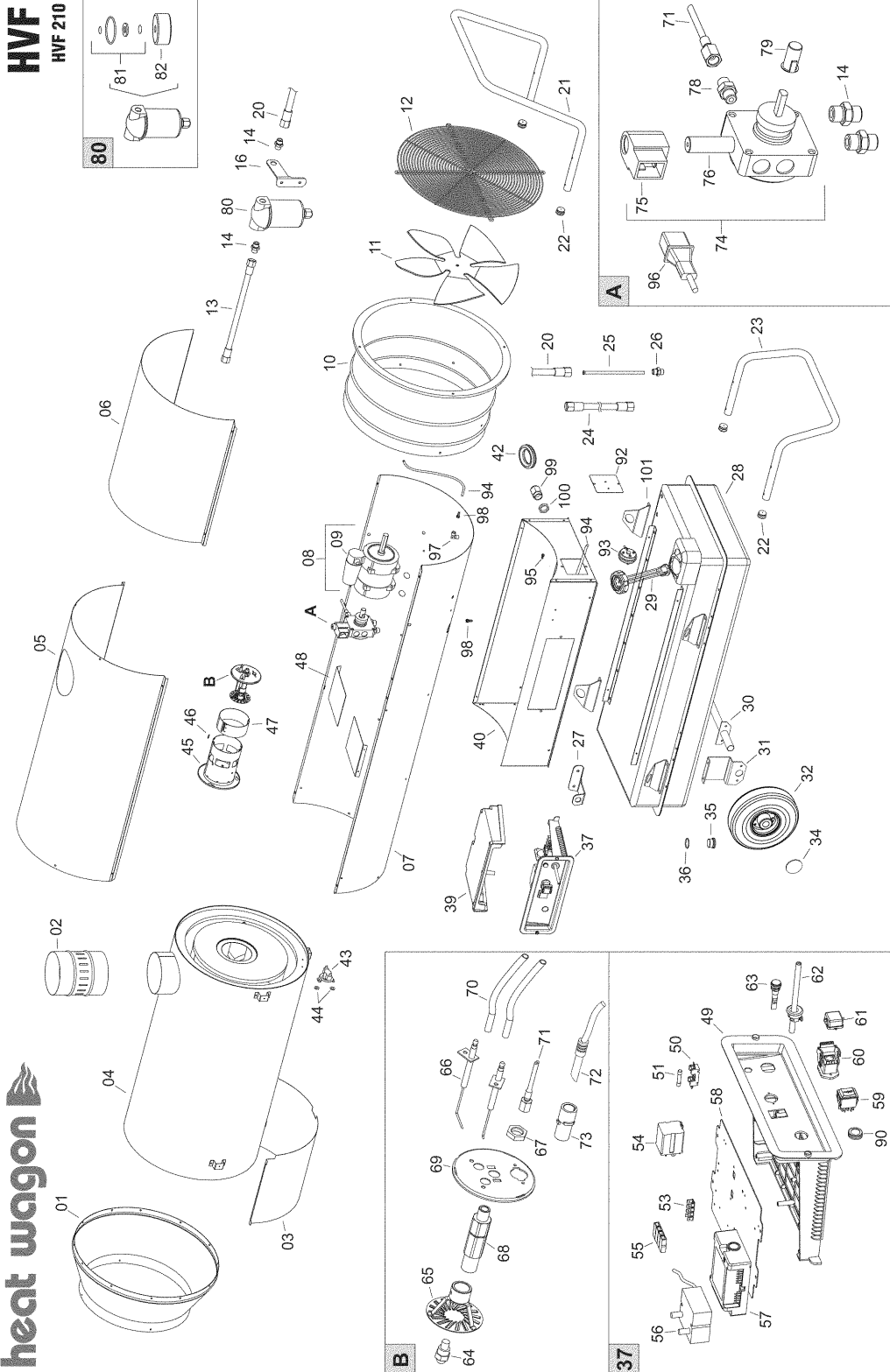
## 205,000 BTU

### S/N 21200801 and Beyond

Ed. 06/10

PL 10/07

**heat wagon**



# HVF210

## 205,000 BTU

### S/N 21200801 and Beyond

Item	Part No.	Description
1	BIE G06113-9010	Outlet cone
2	BIE G06077	Chimney
3	BIE G06174	Combustion chamber support
4	BIE G06176	Combustion chamber
5	BIE G06119-9010	Upper body
6	BIE G06121-9010	Cover inspection
7	BIE G06178-9010	Lower body
8	BIE E10771	Motor 450W with condenser
9	BIE E11230	Condenser 40 uF
10	BIE G06125-9010	Motor flange
11	BIE T10260	Fan
12	BIE P30169	Inlet grille
13	BIE I40330	Tube BP 1/4" FF L.420mm
14	BIE I20104	Nipple FE 1/4" MM
19	BIE G06104-9005	Filter support
20	BIE I40329	Tube BP 1/4" FF L.260mm
21	BIE P20176-9005	Handle
22	BIE C30319	Plug
23	BIE P20177-9005	Foot
24	BIE I40331	Tube BP 1/4" F L.580mm
25	BIE I30696	Pascante L. 150mm
26	BIE I30737	Nipple OT 1/4" M-M12x1, 75 M
27	BIE G06068-9005	Power lead hook
28	BIE G06127-9005	Fuel tank
29	BIE C30363	Plug with level control
30	BIE G06105-9005	Wheel axle
31	BIE G06106-9005	Wheels axle support
32	BIE C10556	Wheel 260- 25, Air
	BIE C10510	Hard rubber wheel
33	BIE M20202	Spring washer
35	BIE I25020	Drain plug
36	BIE C30375	OR 16 x 2,62
37	BIE G00248	El. components drawer
39	BIE P50127	Control box cover
40	BIE G06407-9010	Base
42	BIE C30372	Protection cable
43	BIE E50102	Limit Thermostat
44	BIE M20107	Washer
45	BIE G06181	Blast tube
46	BIE E20671	Ground Terminal
47	BIE G06183	Air regulation flap
48	BIE G01061-1	Right air flap
	BIE G01061-2	Left air flap
49	BIE G06153	Electr. components drawer

Item	Part No.	Description
50	BIE E20508	Fuse holder
51	BIE E10313	Fuse
53	BIE E20319	Terminal board
54	BIE E11125	Relay finder
55	BIE E20305	Terminal board
56	BIE E10930	Transformer H.T.
57	BIE E40124	Control box - BRAHMA TGRD91
58	BIE G06073	Plate for electrical components
59	BIE E10102-P	Switch 0 -1
60	BIE E20640	Thermostat
61	BIE E20665	Socket Cap
62	BIE E30443	El. wire w/plug and cable fastener
63	BIE E11030	Lamp 230V
64	BIE T20355	Nozzle 1,10 GPH 80°W
65	BIE G01077	Turbo disc
66	BIE E10215	Electrode
67	BIE I31034	Nut M14
68	BIE I33005	Nozzle support
69	BIE G06228	Burner flange
70	BIE G02078	H.T. cable connect 90°
71	BIE I40192	Micropipe
72	BIE E50329BRVERDE	Photocell with support
73	BIE E50327-20	Photoresistance protection
74	BIE T20410-1	Pump Danfoss-inc. valve & solenoid
75	BIE T20118	Solenoid coil
76	BIE T20117	Solenoid valve
78	BIE I20115	Nipple FE 1/8" MM
79	BIE E10513	Coupling
80	BIE T20239	Oil pre-heaters filter
81	BIE T20241	OR KIT oil filter
82	BIE T20242	Filter cartridge
90	BIE E20418	Stop button protection
92	BIE G06406-9010	Switch support
93	BIE E50440	100 Pa switch
94	BIE I40335	Silicone pipe
95	BIE I31131	Conn. straight
96	BIE T20442	Solenoid valve cable
97	BIE I20325-1	Connection 1/8"
98	BIE I31130	Conn. straight
99	BIE E20953	Cable holder
100	BIE E20954	Ring nut PG11
101	BIE 02AC511	Lifting bracket
102	BIE C30323	Cable protection

NOTE: Not shown

BIE E10325 Fuse for BRAHMA Control Box  
 ACC THIDF Thermostat (optional)  
 ACC 7979K62 4 Pin plug insert  
 ACC 7979K68 4 Pin plug cover

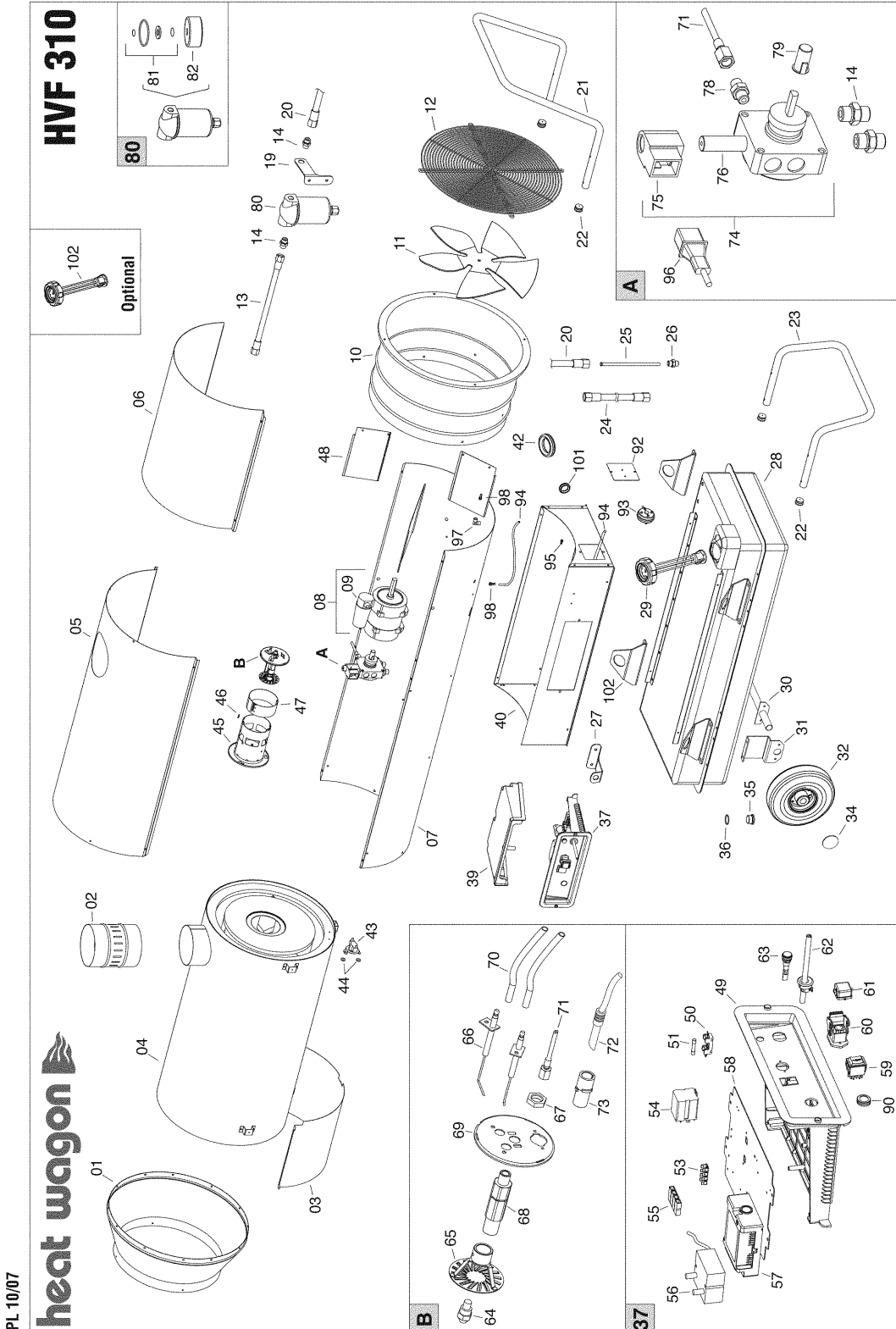
#### Note for S/N starting 21204001

Part No.	Description
BIE E10771	Motor
BIE E10771-1	Capacitor
BIE E30443-1	Power cord
BIE E10698	Motor pump coupling
BIE E20965	Cable fastener nut
BIE E20964	Cable fastener

# HVF310

## 300,000 BTU

### S/N 21301201 and Beyond



# HVF310

## 300,000 BTU

### S/N 21301201 and Beyond

Item	Part No.	Description
1	BIE G06114-9010	Outlet cone
2	BIE G06077	Chimney
3	BIE G06175	Combustion chamber support
4	BIE G06177-09	Combustion chamber
5	BIE G06413-9010	Upper body
6	BIE G06122-9010	Cover inspection
7	BIE G06179-9010	Lower body
8	BIE E10704-110	Motor 750W with condenser
9	BIE E11249	Condenser 80 uF
10	BIE G06126-9010	Motor flange
11	BIE T10261	Fan
12	BIE P30129	Inlet grille
13	BIE I40330	Tube BP 1/4" FF L.420mm
14	BIE I20104	Nipple FE 1/4" MM
19	BIE G06104-9005	Filter support
20	BIE I40329	Tube BP 1/4" FF L.260mm
21	BIE P20176-9005	Handle
22	BIE C30355	Plug
23	BIE P20180-9005	Foot
24	BIE I40331	Tube BP 1/4" F L.580mm
25	BIE I30698	Pascante L. 150mm
26	BIE I30737	Nipple OT 1/4" M-M12x1, 75 M
27	BIE G06068-9005	Power lead hook
28	BIE G06146-9005	Fuel tank
29	BIE C30364	Plug with level control
30	BIE G06129-9005	Wheel axle
31	BIE G06107-9005	Wheels axle support
32	BIE C10556	Wheel 260- 25, Air
	BIE C10510	Hard rubber wheel
33	BIE M20202	Spring washer
35	BIE I25020	Drain plug
36	BIE C30375	OR 16 x 2,62
37	BIE G00248	El. components drawer
39	BIE P50127	Control box cover
40	BIE G06414-9010	Base
42	BIE C30372	Protection cable
43	BIE E50102	Limit thermostat
44	BIE M20107	Washer
45	BIE G06266	Blast tube
46	BIE E20671	Ground terminal
47	BIE G06183	Air regulation flap
48	BIE G06394	Air flap
49	BIE G06153	Electr. components drawer

Item	Part No.	Description
50	BIE E20508	Fuse holder
51	BIE E10313	Fuse
53	BIE E20319	Terminal board
54	BIE E11125	Relay finder
55	BIE E20305	Terminal board
56	BIE E10930	Transformer H.T.
57	BIE E40124	Control box BRAHMA TGRD91
58	BIE G06073	Plate for electrical components
59	BIE E10102-P	Switch 0 -1
60	BIE E20640	Thermostat Plug
61	BIE E20665	Socket Cap
62	BIE E30443	El. wire w/plug and cable fastener
63	BIE E11030	Lamp 230V
64	BIE T20356	Nozzle 1.50 GPH 80°W
65	BIE G01077	Turbo disc
66	BIE E10215	Electrode
67	BIE I31034	Nut M14
68	BIE I33005	Nozzle support
69	BIE G06228	Burner flange
70	BIE G02078	H.T. cable connect 90°
71	BIE I40192	Micropipe
72	BIE E50329BRVERDE	Photocell with support
73	BIE E50327-20	Photoresistance protection
74	BIE T20411-1	Pump Danfoss
75	BIE T20118	Solenoid coil
76	BIE T20117	Solenoid valve
78	BIE I20115	Nipple FE 1/8" MM
79	BIE E10514	Coupling (AACO)
80	BIE T20239	Oil pre-heaters filter
81	BIE T20241	OR KIT oil filter
82	BIE T20242	Filter cartridge
90	BIE E20418	Stop button protection
92	BIE G06406-9010	Switch support
93	BIE E50440	100 Pa switch
94	BIE I40335	Silicone pipe
95	BIE I31131	Conn. straight
96	BIE T20442	Solenoid valve cable
97	BIE I20325-1	Connection 1/8"
98	BIE I31130	Conn. straight
101	BIE C30323	Cable protection
102	BIE G06111-9005	Lifting bracket

NOTE: Not shown

<i>BIE E10325</i>	<i>Fuse for BRAHMA Control Box</i>
<i>ACC THIDF</i>	<i>Thermostat (optional)</i>
<i>ACC 7979K62</i>	<i>4 Pin plug insert</i>
<i>ACC 7979K68</i>	<i>4 Pin plug cover</i>

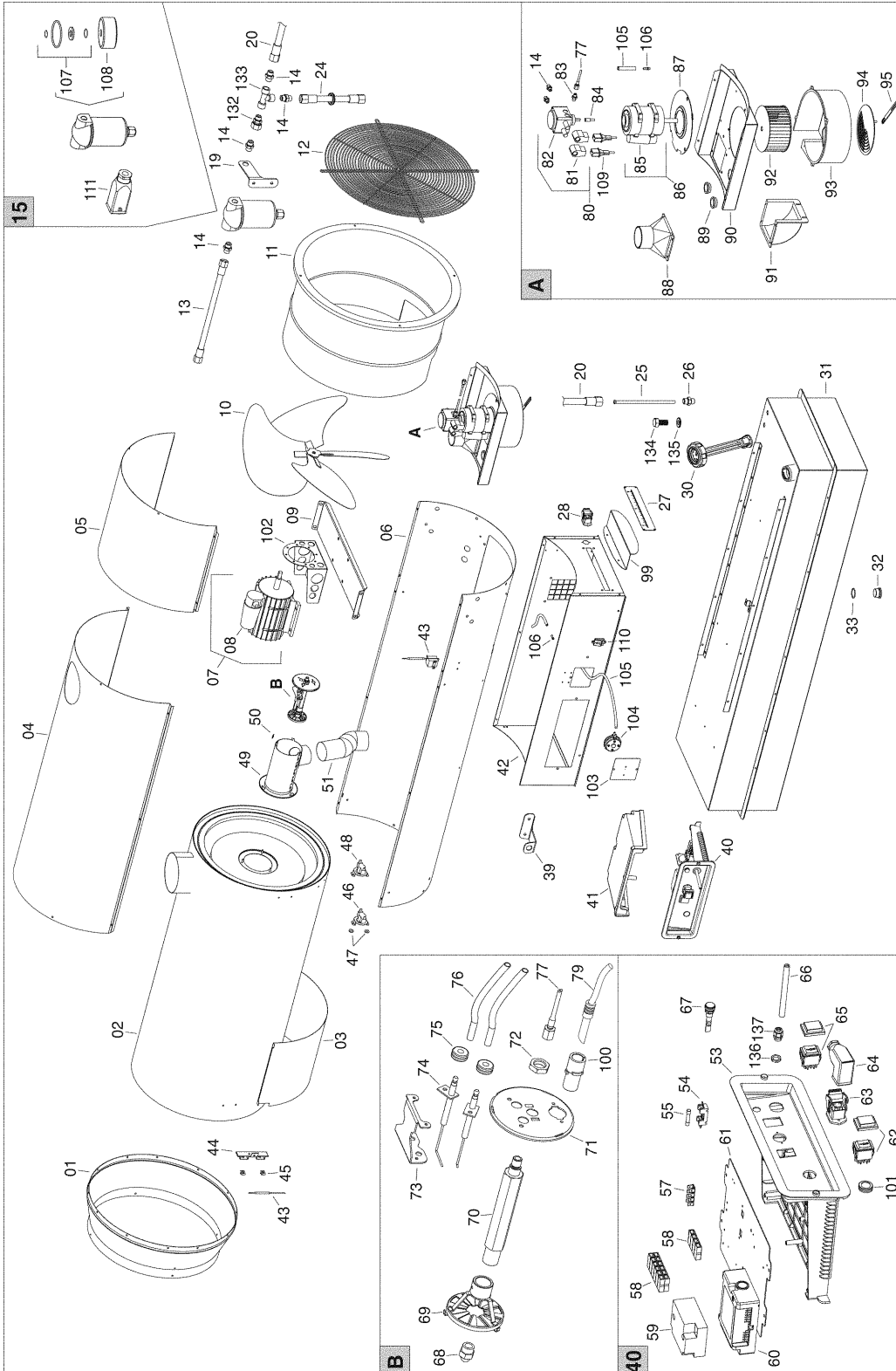
#### Note for S/N starting 21304001

Part No.	Description
BIE E10772	Motor (SIMEL)
BIE E10772-1	Capacitor 100uF
BIE E30443-1	Power cord
BIE E10698	Motor pump coupling (SIMEL)
BIE E20965	Cable fastener nut
BIE E20964	Cable fastener

# HVF410HD

**412,000 BTU (High)**  
**272,000 BTU (Low)**

**S/N 21801001**  
**and Beyond**





# HVF410HD

## 412,000 BTU (High)

## 272,000 BTU (Low)

### S/N 21801001 and Beyond

Item	Part No.	Description
1	BIE G06185-9010	Outlet cone
2	BIE G06186	Combustion chamber
3	BIE G06187	Combustion chamber support
4	BIE G06188-9010	Upper body
5	BIE G06189-9010	Cover inspection
6	BIE G06429-9010	Lower body
7	BIE E10695-110	Motor 750W with capacitor(AACO)
8	BIE E11242	Capacitor 50 uF
9	BIE G06191	Motor flange
10	BIE T10267	Fan
11	BIE G06192-9010	Air flap
12	BIE P30151	Inlet grille
13	BIE I40330	Tube BP 1/4" FF L.420mm
14	BIE I20104	Nipple FE 1/4" MM
15	BIE T20239	Oil pre-heater filter
19	BIE G06104-9005	Filter support
20	BIE I40329	Tube BP 1/4" FF L.260mm
24	BIE I40331	Tube BP 1/4" F L.580mm
25	BIE I30698	L.290mm suction pipe
26	BIE I30737	OT 1/4" M-M12x1, 75 M Fitting
27	BIE G06193	Air adjustment panel
28	BIE E20639	Thermostat plug
30	BIE C30364	Plug with level control
31	BIE G06427-9005	Fuel tank
32	BIE I25020	Drain plug
33	BIE C30375	OR 16 x 2.62mm
37	BIE M20111	Washer 26 x 44 x 4mm
38	BIE M20505	Wheel locking pin
39	BIE G06068-9005	Power lead hook
40	BIE G00332	El. components drawer
41	BIE P50127	Control box cover
42	BIE G06428-9010	Base
43	BIE E50767	Thermostat
44	BIE G06196	Thermostat bulb metal bracket
45	BIE M20413	Bulb support
46	BIE E50102	Limit thermostat
47	BIE M20107	Washer
48	BIE E50104	Fan thermostat
49	BIE G06197	Blast tube
50	BIE E20671	Terminal board
51	BIE I40804	Air duct L=220mm
53	BIE G06154	Elect. components drawer
54	BIE E20508	Fuse holder
55	BIE E10324	Fuse 25A
57	BIE E20319	Terminal board
58	BIE E20305	Terminal board
59	BIE E10939	Transformer H.T. (COFI)
60	BIE E40121	Control BRAHMA
61	BIE G06073	Plate for electrical components
62	BIE E10102-P	Switch 0 - 1
63	BIE E20640	Thermostat plug
64	BIE E20675	Plate plug
65	BIE E10112-P	Switch 0 - 1
66	BIE E30443	El. wire with plug and cable fastener
67	BIE E11030	Lamp
68	BIE T20357	Nozzle 2,0 GPH 80°W
69	BIE G06225	Turbo disc
70	BIE I33006	Nozzle support
71	BIE G06226	Burner flange
72	BIE I31034	Nut M14
73	BIE G06199	Electrodes stirrup
74	BIE E10215	Electrodes
75	BIE C30368	Cable protection 12mm
76	BIE G02080	H.T. Cable connect L=1200mm
77	BIE I40192	Micropipe L=250mm
79	BIE E50336	Photocell Ld ph. Unit FC13
80	BIE T20441-1	Pump Suntek AT2 45 BK 2S-120V

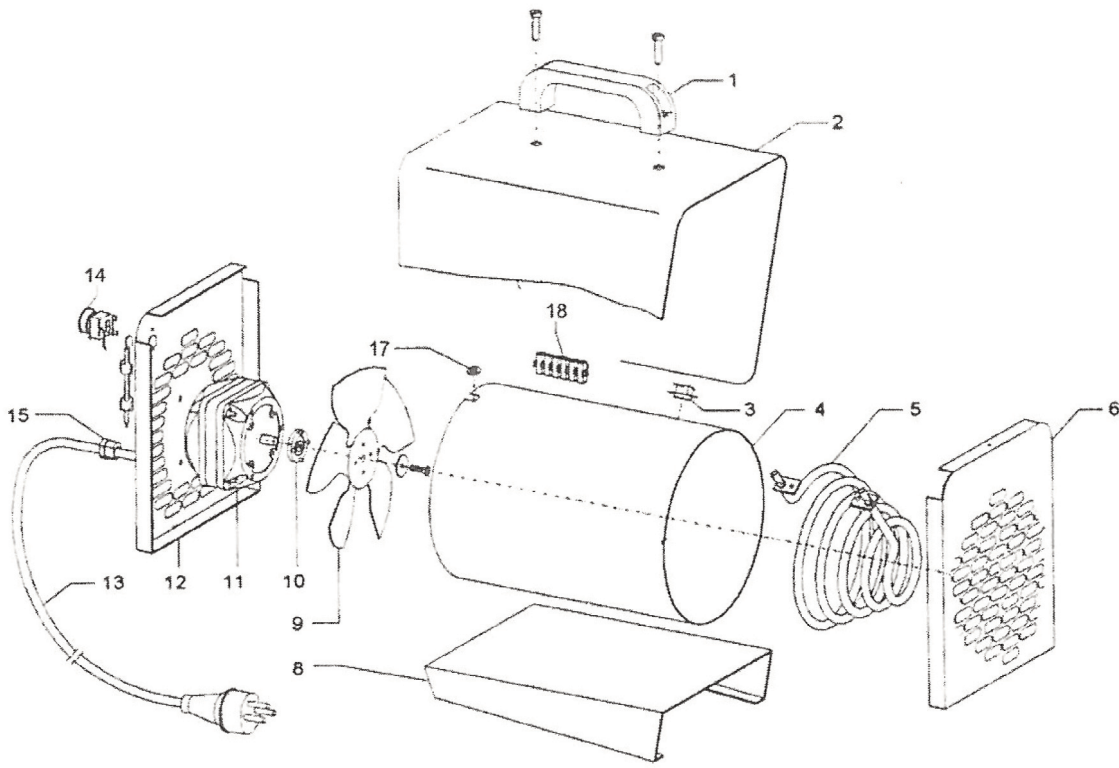
Item	Part No.	Description
81	BIE T20459	Solenoid coil
82	BIE T20130	Solenoid valve body torque Suntek
83	BIE I20115	Nipple FE 1/8" MM fitting
84	BIE E10513	Coupling K1 (AACO)
85	BIE E11233	Capacitor 20uF
86	BIE E10770	Motor 200W with capacitor-120V
87	BIE G06200-9010	Support fan and motor
88	BIE C10328	Connection channel
89	BIE C30372	Cable protection 35mm
90	BIE G06201-9010	Support fan and motor
91	BIE C10329	90° elbow connection
92	BIE T10262	Fan AP 160x55 F12,7
93	BIE C10326	Spiral fan
94	BIE G06202	Shutter for air regulation
95	BIE G06203	Air adjustment level
99	BIE G06204	Air adjustment protection
100	BIE E50327-30	Photoresistance protection
101	BIE E20418	Stop button protection
102	BIE G06227	Fitting support
103	BIE G06406-9010	Switch support
104	BIE E50441	200 Pa air switch
105	BIE I40335	Silicone pipe 4x8
106	BIE I31131	Conn. straight
107	BIE T20241	OR Kit oil filter
108	BIE T20242	Filter cartridge
109	BIE T20442	Solenoid valve cable
110	BIE E20406-1	Plastic profile
111	BIE E20627	Plate plug 4P + T
113	BIE G06418-9005	Lifting frame
114	BIE G06315-9005	Body support
115	BIE G06316-9005	Front protection
116	BIE C10545	Wheel
117	BIE G06419-9005	Wheel axle
118	BIE G06420-9005	Axle support
119	BIE G06209	Fork guides
120	BIE G06208	Reinforcement plate
121	BIE G06461-9005	Support
122	BIE G06422	Reinforcement plate
123	BIE G06326-9005	Bracket
124	BIE G06317-9005	Tank structure
125	BIE G06424-9005	Panel DX
126	BIE G06425-9005	Panel SX
127	BIE G06423-9005	Handle
128	BIE M30001	Spring
129	BIE G06426	Plate
130	BIE C10710	Knurled wheel M8x25
131	BIE C10203	Handle

*NOTE: Not shown*

<i>BIE E10325</i>	<i>Fuse for Flame Control Box</i>
<i>ACC THIDF</i>	<i>Thermostat (optional)</i>
<i>ACC 7979K62</i>	<i>4 Pin plug insert</i>
<i>ACC 7979K68</i>	<i>4 Pin plug cover</i>
<i>BIE E10772</i>	<i>Motor (SIMEL)</i>
<i>BIE E10772-1</i>	<i>Capacitor 100uF</i>
<i>BIE E10698</i>	<i>Motor pump coupling (SIMEL)</i>
<i>BIE E10770-1</i>	<i>Capacitor 25uF</i>
<i>BIE E10770</i>	<i>Motor</i>
<i>BIE E20965</i>	<i>Cable fastener nut</i>
<i>BIE E20964</i>	<i>Cable fastener</i>
<i>BIE E11249</i>	<i>Capacitor 80uF</i>
<i>BIE E50329-BR-VERDE</i>	<i>Photocell with support</i>

# P1500

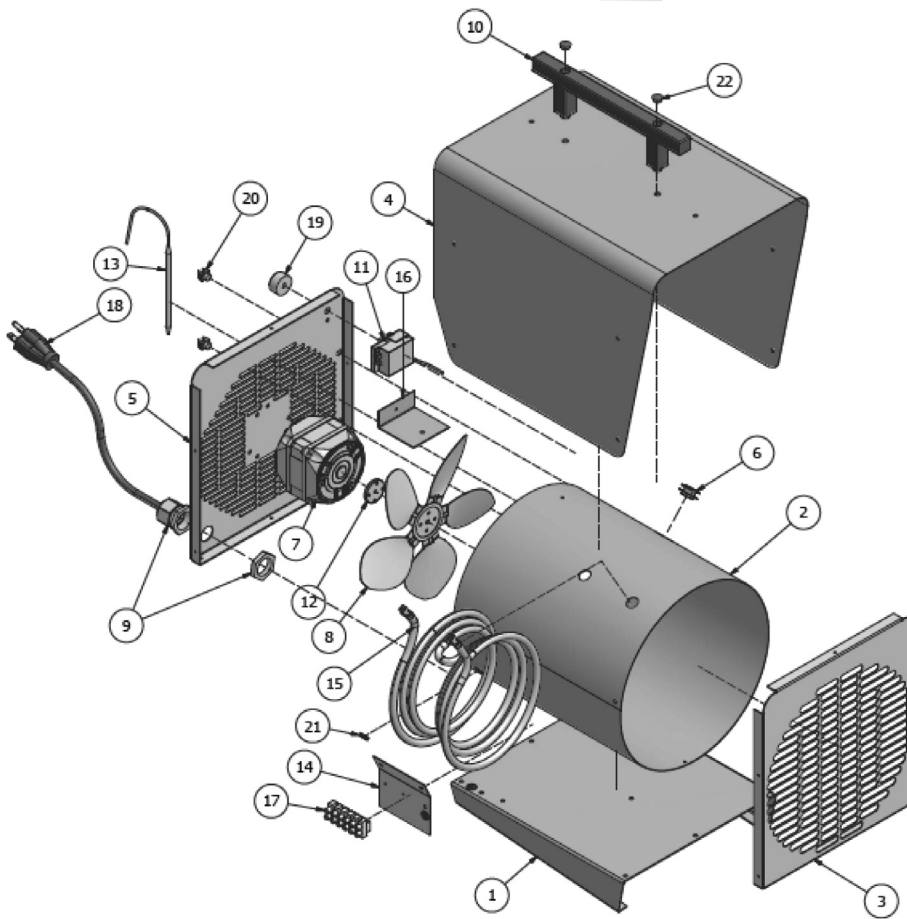
## 5,100 BTU



Item	Part No.	Description
1	HWP 80102 HWP 80100	HANDLE (shown in exp. view) HANDLE - old version
2	HWP 4001115	OUTER MANTLE
3	HWP 180024	OVERHEAT LIMIT SWITCH
4	HWP 40015	INNER MANTLE
5	HWP 42256	HEATING ELEMENT
6	HWP 40014	FRONT PANEL
8	HWP 40012	BOTTOM PLATE
9	HWP 16040	FAN BLADE
10	HWP 180033	HUB
11	HWP 14040	FAN MOTOR
12	HWP 4001100	REAR PANEL
13	HWP HC1020	POWER CORD & PLUG
14	HWP 20220	ROOM THERMOSTAT
15	HWP 20577	THERMOSTAT KNOB
17	HWP 36910	STRAIN RELIEVER & NUT
18	HWP 36809	WIRE BUSHING
18	HWP 180023	TERMINAL BLOCK

# P300

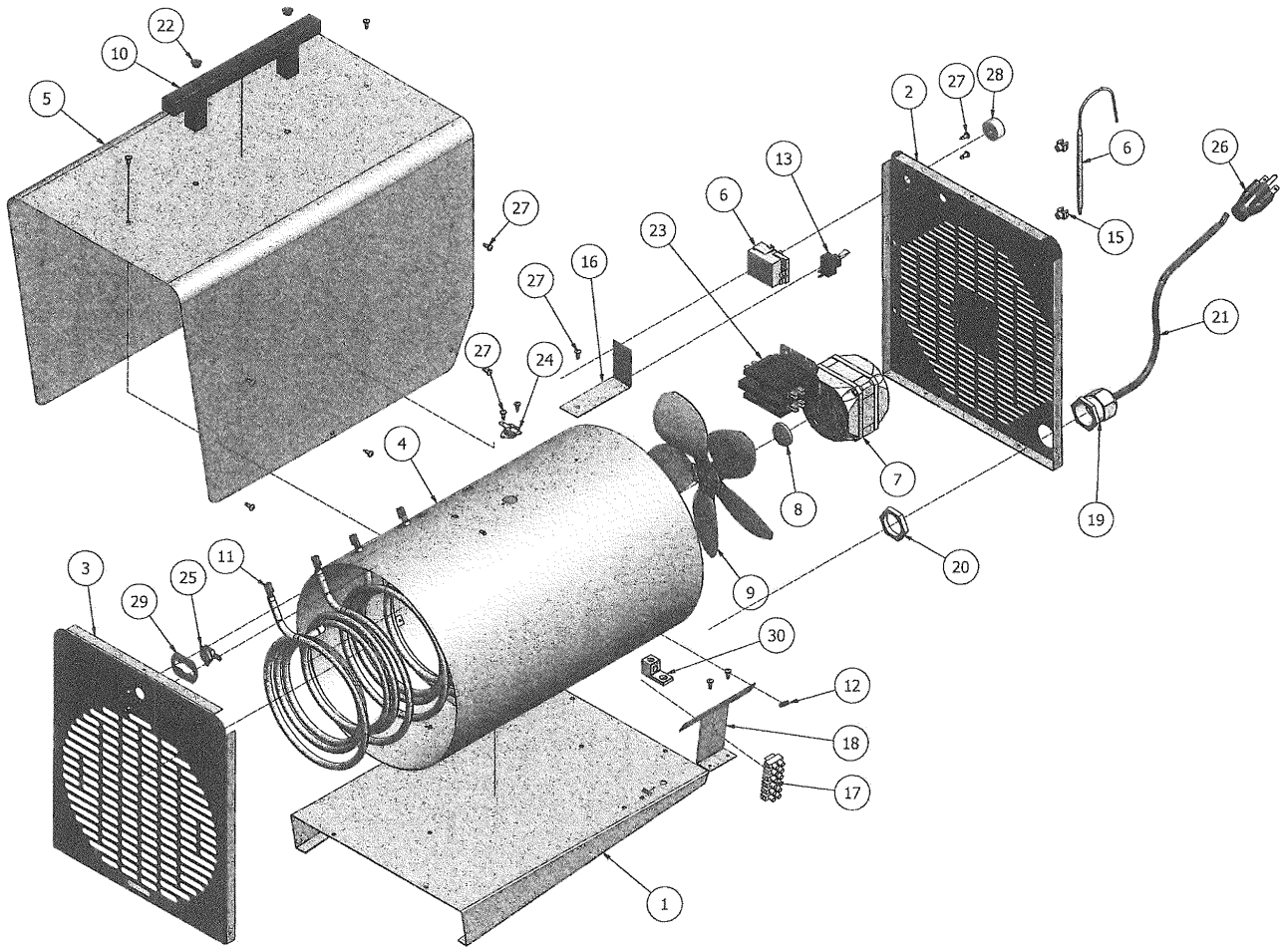
## 10,200 BTU



Item	Part No.	Description
1	HWP 493401	Bottom Plate
2	HWP 493405	Inner Mantle
3	HWP 493402	Front Panel
4	HWP 493404	Outer Mantle
5	HWP 493403	Rear Panel
6	HWP 180024	Overheat Limit Switch
7	HWP 14104	Fan Motor
8	HWP 16200	Fan Blade
9	HWP 36910	Strain Reliever
10	HWP 180001	Handle
11	HWP 20405	Ambient Thermostat
12	HWP 180033	Fan Hub, Plastic
13	HWP 20405	Ambient Thermostat
14	HWP 493406	Bracket, Terminal Block
15	HWP 42800	Heating Element
16	HWP 493407	Bracket, Inter Mantle, E3
17	HWP 180023	Terminal Block
18	HWP 30320	Power Cord & Plug
19	HWP 20577	Knob for Thermostat 20220 / 20405
20	HWP 37910	Plastic Bracket for Thermostat
21	HWP 36809	Guard Ring / Wire Bushing
22	HWP 80110	Plug for Handle (2/Pk)
23	HWP ***	Grounding Lug- 4 x 14mm Screw

# P600

## 20,500 BTU

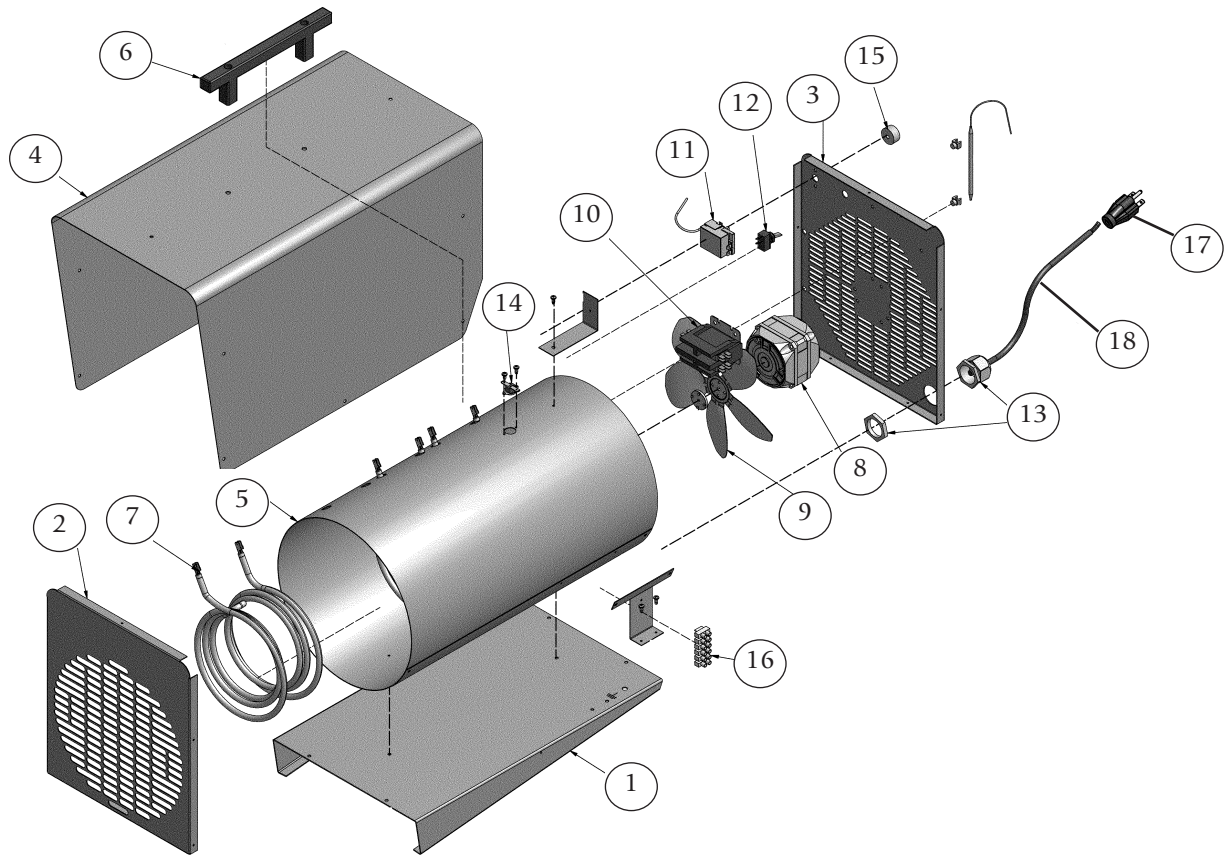


Item	Part No.	Description
1	HWP 4027013	BOTTOM PLATE
2	HWP 4027011	REAR PANEL
3	HWP 4027012	FRONT PANEL
4	HWP 4027014	INNER MANTLE
	HWP 4027020	AIR GUIDE RING, INNER MANTLE
5	HWP 4027010	OUTER MANTLE
6	HWP 20220	ROOM THERMOSTAT (Knob Not Included)
7	HWP 14145	FAN MOTOR
8	HWP 180033	HUB, FAN MOTOR
9	HWP 16109	FAN BLADE
10	HWP 80100	HANDLE
11	HWP 42800	HEATING ELEMENT (2)
12	HWP 36809	WIRE BUSHING (GUARD RING)
13	HWP 26900	TOGGLE SWITCH

Item	Part No.	Description
15	HWP 37910	PLASTIC BRACKET FOR BULB
16	HWP 4027015	BRACKET FOR INNER MANTLE
17	HWP 36704	TERMINAL BLOCK
18	HWP 4027016	BRACKET FOR TERMINAL BLOCK
19	HWP 36922	STRAIN RELIEVER
20	HWP 36923	LOCKING NUT, STRAIN RELIEVER
21	ACC 30A10	POWER CORD
22	HWP 80110	PLUG, HANDLE (2 PC.)
23	HWP 22670	CONTACTOR
24	HWP 21201	OVERHEAT LIMIT SWITCH
25	HWP 21206	LIMITER, AIR OUTLET
26	HWP 00275-00T	PLUG
28	HWP 20577	KNOB, ROOM THERMOSTAT
29	HWP 4027017	BRACKET FOR LIMITER

# P900

## 30,700 BTU



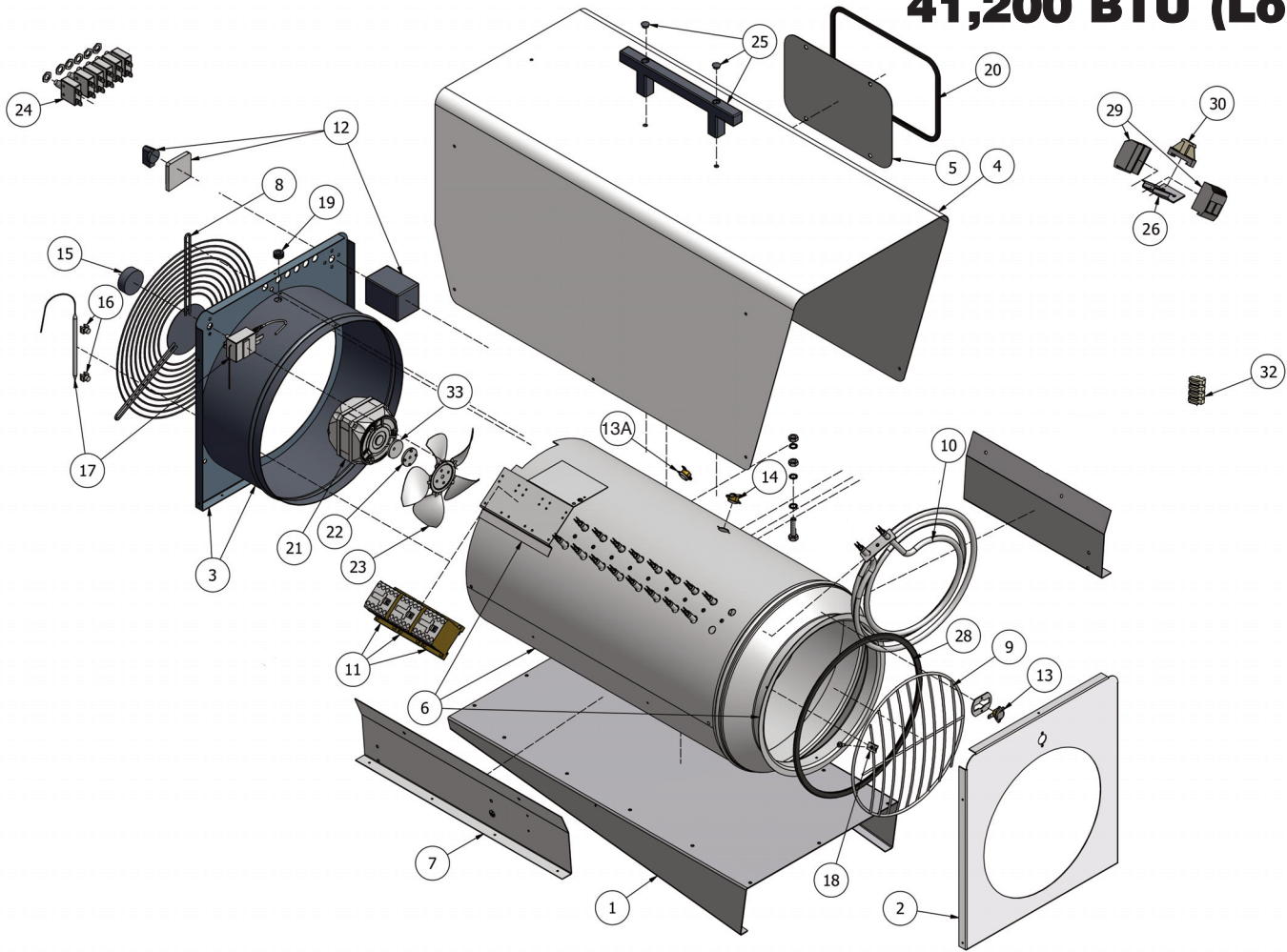
Item	Part No.	Description
1	HWP 40081001	BOTTOM PLATE
2	HWP 40081003	FRONT PANEL
3	HWP 40081002	REAR PANEL
4	HWP 4019004	OUTER MANTLE
5	HWP 4019005	INNER MANTLE
6	HWP 180001	HANDLE
7	HWP 42800	HEATING ELEMENT (3PCS)
8	HWP 180014	FAN MOTOR
9	HWP 16110	FAN BLADE
10	HWP 22670	CONTACTOR
11	HWP 20220	ROOM THERMOSTAT & KNOB
12	HWP 26902	TOGGLE SWITCH
13	HWP 36922	STRAIN RELIEVER
14	HWP 180024	OVERHEAT LIMIT SWITCH
15	HWP 20577	THERMOSTAT KNOB
16	HWP 36704	TERMINAL BLOCK
17	HWP 00275-00T	PLUG
18	ACC 50A10	POWER CORD ASSEMBLY

Parts Not Shown	
HWP 40081006	BRACKET FOR INNER MANTLE
HWP 180033	FAN HUB
HWP 26901	TOGGLE SWITCH
HWP 400021	TOGGLE SWITCH

# P1800 Series

## 65,000 BTU (High)

## 41,200 BTU (Low)



Item	Part No.	Description
1	HWP 180007	Bottom Plate
2	HWP 180006	Front Panel (P1800D - HWP 1800037)
3	HWP 180015	Rear Panel
4	HWP 180002	Hood* (No Hatch)
	HWP 180032	Hood with Connection Hatch*
5	HWP 180032A	Connection Hatch*
6	HWP 180003	Inner Mantle (Including Air Cone)
7	HWP 180009	Bracket
8	HWP 180019	Rear Grill (P1800D - HWP 1800035)
9	HWP 180005	Front Grill
10	HWP 180026	Heating Element (9 per Heater)
11	HWP 180022	Contactors
12	HWP 180021	Main Switch Assembly
13A	HWP 180024	Overheat Limit Switch (Inner)
13	HWP 180024	Overheat Limit Switch (Outer)
14	HWP 180025	Unit Cooldown Switch
15	HWP 400018	Thermostat Knob
15	HWP 20577	Thermostat Knob
		For P1800-1, S/N 1036 & Beyond
		For P1800-3, S/N 3509 & Beyond
		For P1800D, S/N 0031 & Beyond
16	HWP 37910	Plastic Bracket
17	HWP 180017	Ambient Thermostat
17	HWP 20220	Ambient Thermostat (Knob Not Included)
		For P1800-1, S/N 1036 & Beyond
		For P1800-3, S/N 3509 & Beyond
		For P1800D, S/N 0031 & Beyond

Item	Part No.	Description
18	HWP 82760	Plate Nut
19	HWP 36809	Guard Ring
20	HWP 210047	Gasket for Connection Hatch*
21	HWP 180014	Fan Motor
	HWP 14350	(P1800D - Includes Blade)
22	HWP 180033	Fan Hub (7mm Shaft) P1800-1, P1800-3 only
23	HWP 180012	Fan Blade P1800-1, P1800-3 only
24	HWP 180027	Circuit Breakers (P1800-1 Only)
25	HWP 180001	Handle
26	SFP S1500-105	Bracket for Terminal Block (P1800-1 Only)
28	HWP 180004	Gasket
29	HWP 36615	Terminal Block (P1800-1 Only) (Qty. 3)
30	HWP 36630	Locking Clamp (P1800-1 Only) (Qty. 2)
32	HWP 36704	Terminal Block (P1800-3 Only)
33	HWP 180011	Fan Hub Cap & Bolt

\*Similar Equipped Models Only

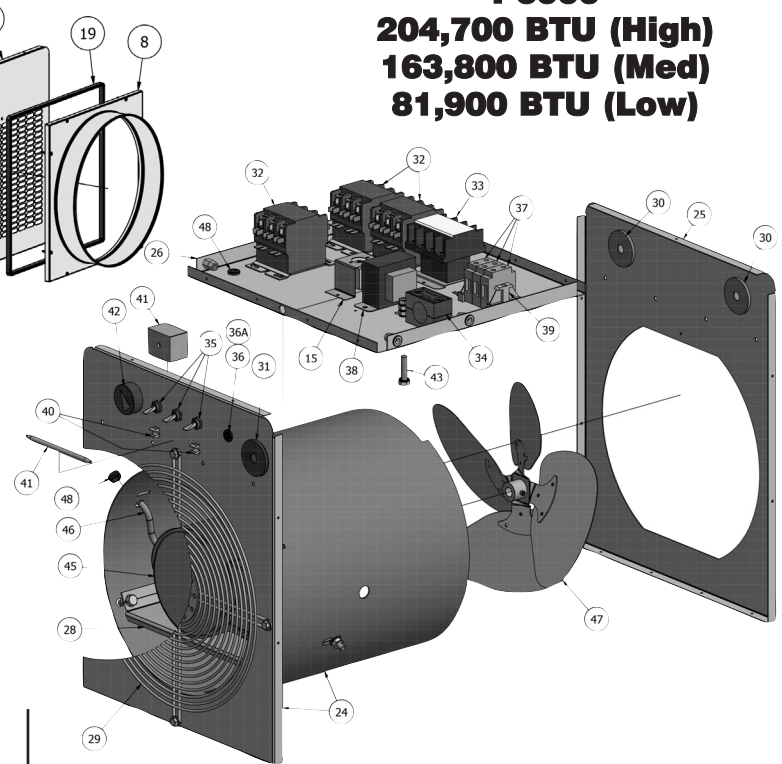
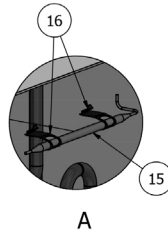
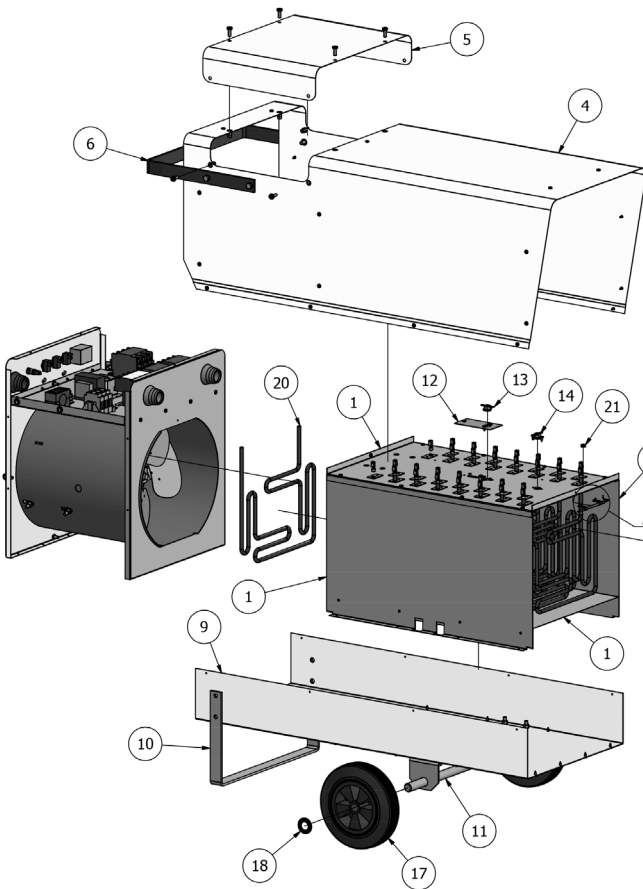
#### Not Shown

ACC WD1225	Duct for P1800D (12"x25' long)
HWP 1800036	Capacitor for #21, P1800D
HWP 1800038	Capacitor Holder
HWP 37910	Plastic Bracket for TA Bulb
HWP 32116	Heating Coil Wire (sold by ft.)
HWP 180016	Strain Relief
HWP 86800	Silicone Sleeve (4' section)
HWP 1800037	P1800D Outlet

# P4000 P6000

**P4000**  
**136,000 BTU (High)**  
**109,200 BTU (Med)**  
**54,600 BTU (Low)**

**P6000**  
**204,700 BTU (High)**  
**163,800 BTU (Med)**  
**81,900 BTU (Low)**



Item	Part No.	Description
1	HWP 400003	Heat Exchanger Chamber
4	HWP 400002	Hood (Including Connection Hatch)
5	HWP 400027	Connection Hatch Only
6	HWP 400001	Handle
7	HWP 400006	Front Panel
8	HWP 400008	Duct Adapter
9	HWP 400007	Bottom Frame
10	HWP 400011	Support Leg
11	HWP 400005	Wheel Shaft
12	HWP 4000012	Plate, Fan Thermostat
13	HWP 180024	Overheat Limit Switch (Inner)
14	HWP 180025	Cooldown Thermostat
15	HWP 20550	Overheat Limit Switch, Air Outlet (PETE)
16	HWP 210038	Metal Bracket, or Bulb
17	HWP 400004	Wheel
18	HWP 74600	Locking Washer
19	HWP 40019	Gasket, Rubber
20	HWP 400026	Heating Element (15 Per Heater, P4000)
21	HWP 600026	Heating Element (15 Per Heater, P6000)
24	HWP 36809	Guard Ring, Rubber
25	HWP 400009	Rear Panel
26	HWP 400010	Partition Panel / Bracket
28	HWP 400010	Contactors Mounting Plate
28	HWP 40028	Mounting Plate, Fan Motor
29	HWP 400019	Fan Guard Grill
30	HWP 400020	Bushing, Medium
31	HWP 400016	Bushing, large
32	HWP 22669	Contactors (3 Per Heater)*
33	HWP 400022	Contactors (1 Per Heater)
34	HWP 180016	Strain Reliever (Qty 2)
	HWP 36904	Strain Reliever (P6000 only)
35	HWP 400021	Toggle Switch

Item	Part No.	Description
36	HWP 38110	Fuse Holder
36A	HWP PEF1	Fuse
37	HWP 36615	Terminal Block (3 per heater)
38	HWP 28400	Transformer
39	HWP 36616	Locking Clamp + End Plate
40	HWP 37910	Plastic Bracket
41	HWP 180017	Ambient Thermostat
41	HWP 20220	Ambient Thermostat (Knob Not Included)
		For P4000, S/N 2022 & Beyond
		For P6000, S/N 0531 & Beyond
42	HWP 400018	Thermostat Knob (for 180017)
42	HWP 20577	Thermostat Knob (for 20220)
43	HWP 400043	Ground Bolt
45	HWP 400014	Fan Motor
47	HWP 400012	Fan Blade
48	HWP 36802	Bushing, Small

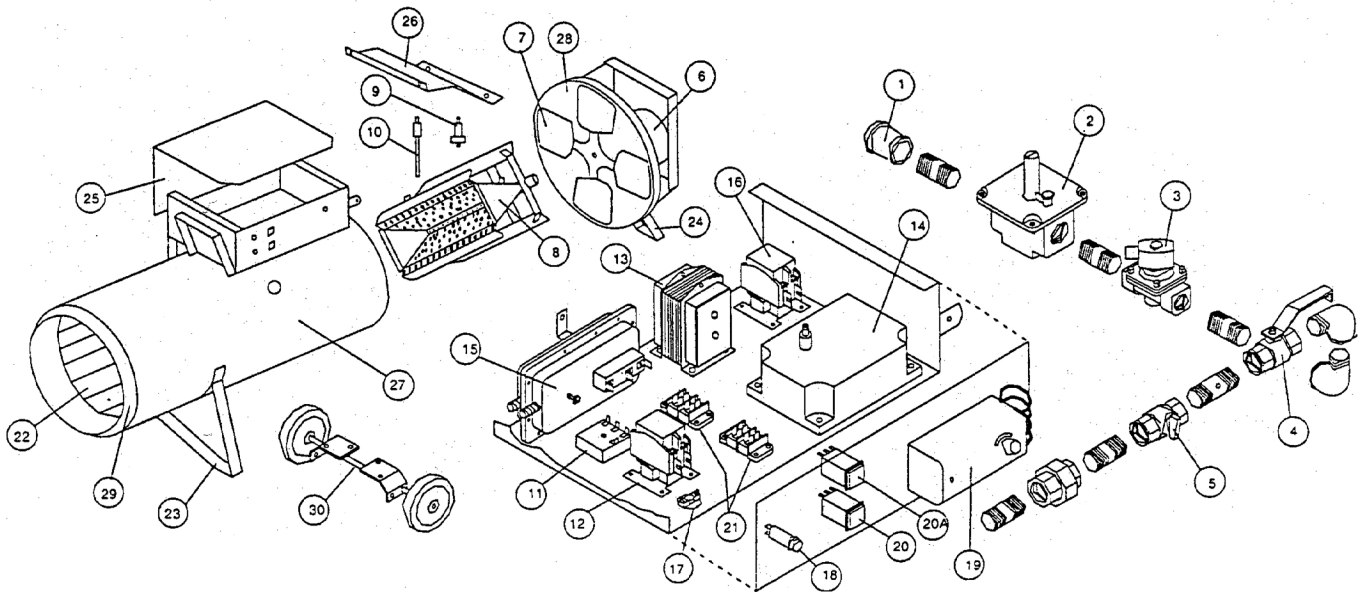
**Not Shown**

ACC WD1425	Duct for P4000, P6000 (14"x25' long)
SFP S1500-105	Bracket for Terminal Block
HWP 32116	Heating Coil Wire (sold by foot)

\*For P4000 S/N prior to 2142 use 400022  
 For P6000 S/N prior to 0561 use 400022

# S405

## 400,000 BTU



Item	Part No.	Description
1	SFP 40SV01	Strainer (S400-80)
2	SFP 2524	Low Pressure Regulator
3	SFP 4514	Solenoid Shut Off Valve 24V
4	SFP S400-73	Gas Selector Valve (S400-73)
5	SFP 2538	Manual Shut Off Valve 3/4" valve
6	SFP 2430	Motor 1/4 H.P.
7	SFP 2420	Fan Blade
8	SFP BV4-50	Burner
9	SFP 2142	Spark Plug
10	SFP SL11B86	Flame Rod
11	SFP 7465	24VAC 5-Second Delay-ON-Break Timer (Before Ser.#11952)
12	SFP 4519	Control Relay 24V (Before Ser.#11952)
	SFP 9872	Control Relay 24V (After Ser.#11953)
13	SFP 4510	Transformer 24V
14	SFP 5943	Direct Spark Ignition Control
	SFP 1331	After Serial #11953
15	SFP 5124	Air Switch (Before Ser.#11952)
16	SFP 4519	Motor Relay 24V (Before Ser.#11952)
	SFP 9872	Motor Relay 24V (After Ser.#11953)
17	SFP 2446	Hi Limit Thermoswitch

Item	Part No.	Description
18	SFP 4518	Indicator Light 24V
19	SFP 2453	Thermostat
20	SFP 3337R	OFF Switch (Red)
20A	SFP 3337G	On Switch (Green)
21	SFP 9823	Terminal Block
22	SFP S400-2	Heat Shield
23	SFP S400-57	Front Leg Assembly
24	SFP S400-47	Rear Leg Assembly (less motor mount & screen)
25	SFP 4517	Control Box Lid
26	SFP SC400-38	Valve Train Cover
27	SFP S400-53	Heater Body Includes 22, 23 & 29
28	SFP S400-502	Motor Mount (with screen & rear legs)
29	SFP S400-3	Nose Cone
30	ACC-SWK1	Wheel Kit (Optional)

#### Parts Not Shown

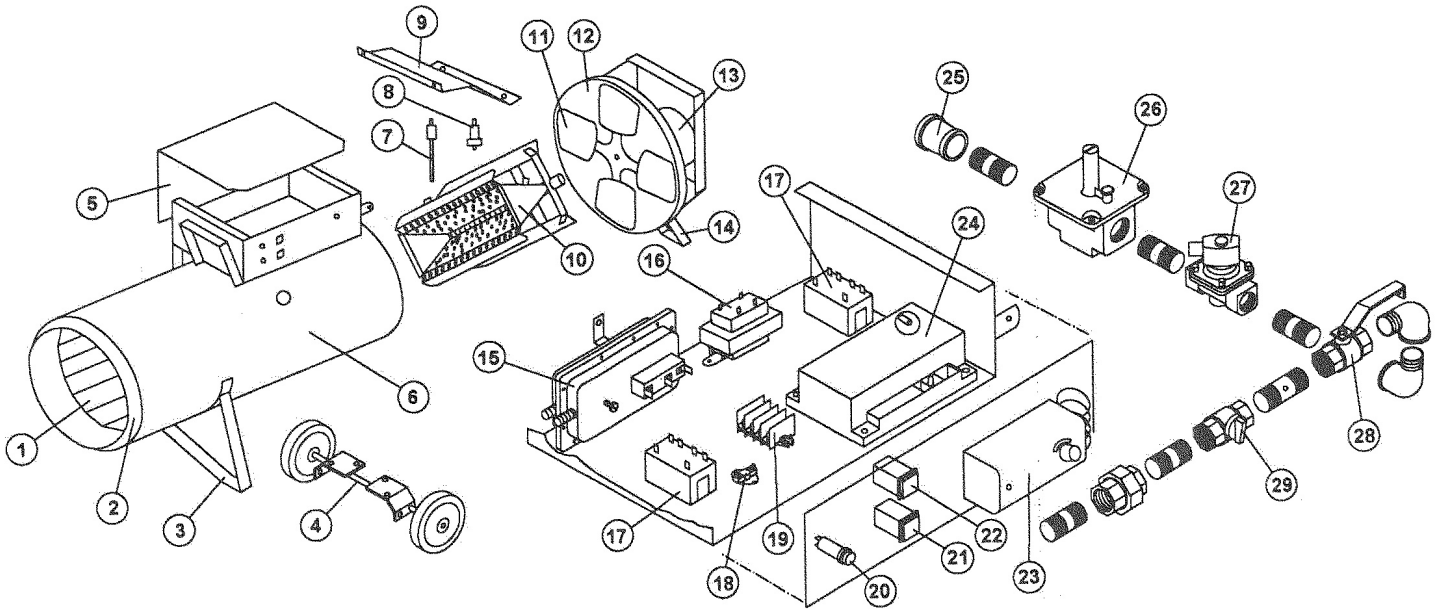
ACC-40SV06*	Regulator (Optional)
HWP HC1020	Power Cord and Plug
SFP 40SC29W	Wiring Harness (Before Ser.#11952) (includes: sensor wiring)
SFP HC1008	Ignition / Flame Sensor Wire Kit



# S405

## 400,000 BTU

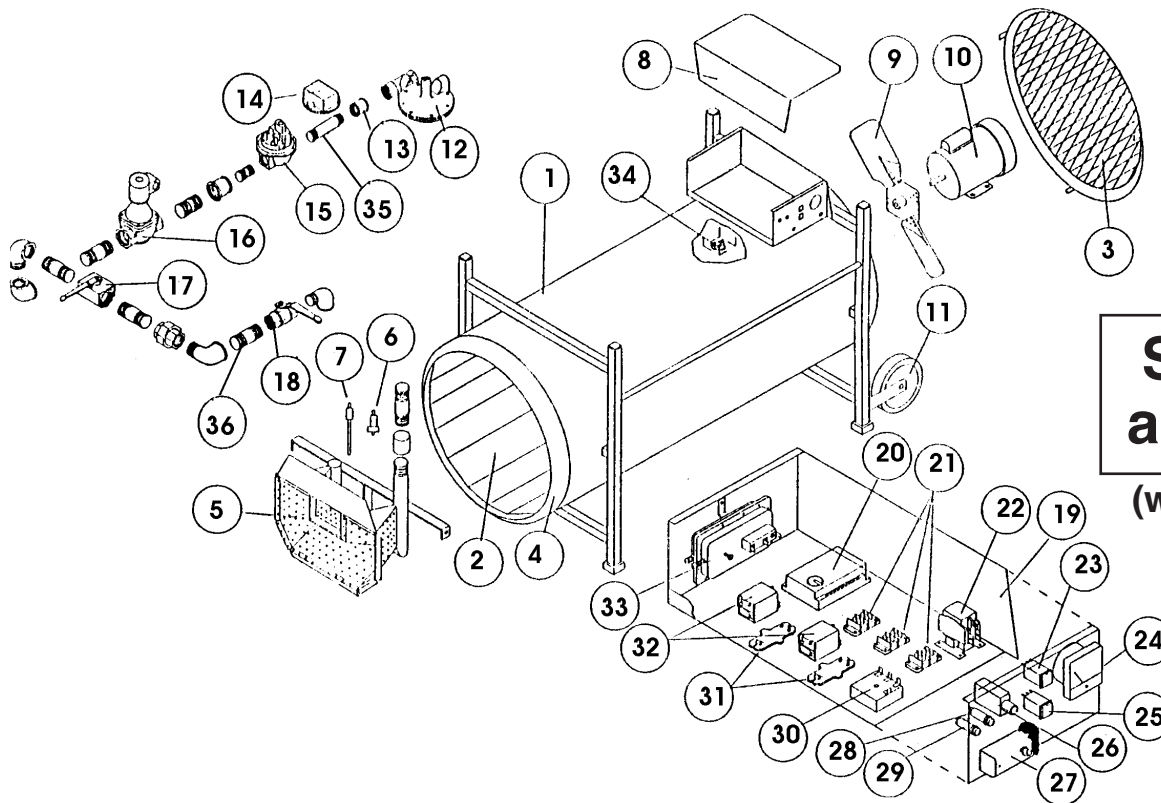
**SN 11953  
and Beyond**



Item	Part No.	Description
1	SFP S400-16	Heat Shield
2	SFP S400-3	Nose Cone
3	SFP S40057	Front Leg Assembly
4	ACC SWK1	Wheel Kit (optional)
5	SFP 4517	Control Box Lid
6	SFP S400-503	Heater Body ( includes 1,2,3)
7	SFP SL11B86	Flame Rod
8	SFP 2143	Spark Plug
9	SFP S40038	Valve Train Cover
10	SFP BV45-50	Burner
11	SFP 2420Fan	Blade
12	SFP S400-502	Motor Mount (with screen & rear legs)
13	SFP 2430	Motor 1/4 H.P.
14	SFP S400-47	Rear Leg Assy. (less motor mount & screen)
15	SFP 5124	Air Switch
16	SFP 4510	Transformer 24V
17	SFP 9872	Relay, 24V (two required)
18	SFP 2446	High Limit Switch
19	SFP 9823	Terminal Block
20	SFP 4518	Indicator Light 24V
21	SFP 3337R	Off Switch (Red)
22	SFP 3337G	On Switch (Green)
23	SFP 2453	Thermostat
24	SFP 1331	Direct Spark Ignition Control
25	SFP 40SV01	Strainer
26	SFP 2524	Low Pressure Regulator
27	SFP 4514	Solenoid Shut Off Valve 24V
28	SFP S400-73	Changeover Valve
29	SFP 2538	Manual Shut Off Valve

# S1505

## 1,500,000 BTU



**SN 3236  
and Prior**  
(with Fenwall)

Item	Part No.	Description
2	SFP SL11B-2	Heat Shield
3	SFP SL11B53	Screen
4	SFP SL11B-13	Nose Cone
5	SFP BV85-50	Burner
6	SFP 2143	Spark Plug
7	SFP SL11B-86	Flame Rod
8	SFP SL11B-35	Control Box Cover
9	SFP 2423	24" Fan Blade
10	HWP HM1166	1 HP Electric Motor
11	SFP 6119	8" Semi Pneumatic Wheel
12	SFP 11SV08*	Regulator (Optional)10psi max
13	SFP S1500-83	1.25" Strainer
14	SFP 4509	Gas Pressure Switch
15	SFP 4490	1.25" 2 Stage Regulator Valve
16	SFP 2537	1.5" Solenoid Valve
17	SFP S1505-81	1.5" Gas Selector Valve
18	SFP 2539	1.5" Manual Shut-Off valve
19	SFP SL11B-58	Control Box
20	SFP 7462	Ignition Control Module
21	SFP 9823	Terminal Block (3)
22	SFP 2436	Motor Starting Relay
23	SFP 3337G	ON Switch (Green)

Item	Part No.	Description
23	SFP 3337G	ON Switch (Green)
24	SFP 5989	Voltmeter
25	SFP 3337R	OFF Switch (Red)
26	HWP HC1002	Circuit Breaker
27	SFP 2453	Thermostat
28	SFP 2506	Red Light
29	SFP 2505	White Light
30	SFP 5988	10-Second delay ON break timer
31	SFP 6440	Relay Clip
32	SFP 4512	Control Relay with clip
33	SFP 5124	Airswitch (0.5" W.C.)
34	SFP 2446	Hi Limit Thermosthich

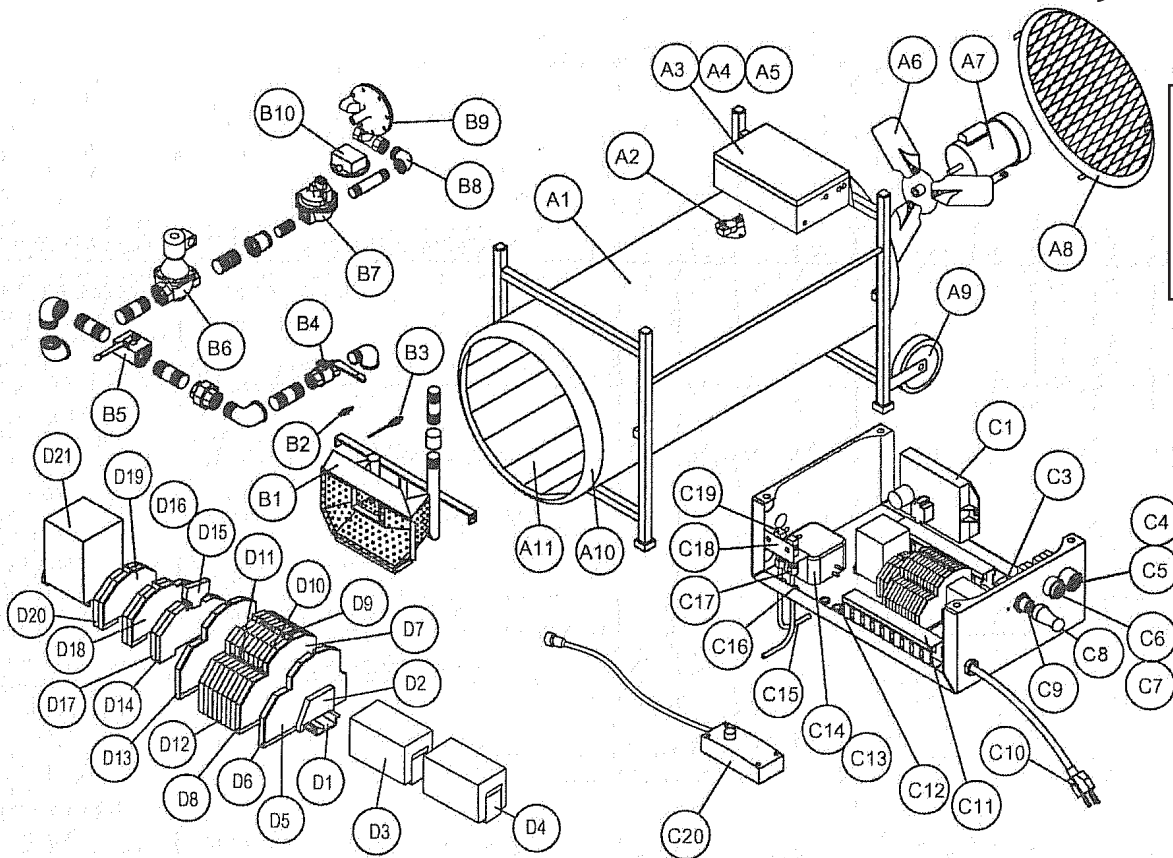
#### Parts Not Shown

DEC DK1505	Decal Kit for S1505
HWP HC1020	Power Cord and Plug
SFP HC1008	Ignition/Flame Sensor Wire Kit

# S1505B

## 1,500,000 BTU

**SN 3237  
through  
4276**



Item	Part No.	Description
A2	SFP 2446	Limit Switch, 180F
A3	SFP S1500-104	Control Box Lid
A4	SFP S1500-501	Control Box
A5	SFP 7723	Control Box Seal
A6	SFP 2423	Fan Blade
A7	SFP 9262	Motor, 1HP
A8	SFP SL11B-53	Screen
A9	SFP 6119	Wheel
A10	SFP SL11B-13	Nose Cone
A11	SFP SL11B-2	Heat Shield
B1	SFP BV85-50	Burner
B2	SFP 2143	Spark Plug
B3	SFP SL11B-86	Flame Rod
B4	SFP 2539	Manual Shut-Off Valve, 1-1/2"
B5	SFP S1505-81	Gas Selector Valve, 1-1/2"
B6	SFP 2537	Solenoid Valve, 1-1/2"
B7	SFP 4490	2-Stage Regulator, 1-1/4"
B8	SFP S1500-86B	Strainer Assembly, 1-1/4"
B9	ACC 11SV08*	Regulator (optional)
B10	SFP 4509	Gas Pressure Switch
C1	HWP HC1001D	Flame Controller (Tab 1/4")
C3	SFP S1500-108	Wiring Duct
C4	SFP 9612	Start Button Assembly
C5	SFP S1500-718	Start Contact Block Assembly
C6	SFP 9611	Stop Button Assembly
C7	SFP S1500-717	Stop Contact Block Assembly
C8	SFP S1500-713	Thermostat Jumper Assembly
C9	SFP 8682	Thermostat Receptacle
C10	SFP 3868	Power Cord, 24"
C11	SFP S1500-107	Wiring Duct, 7"
C12	SFP 5509	Snap Bushing, 1/2"

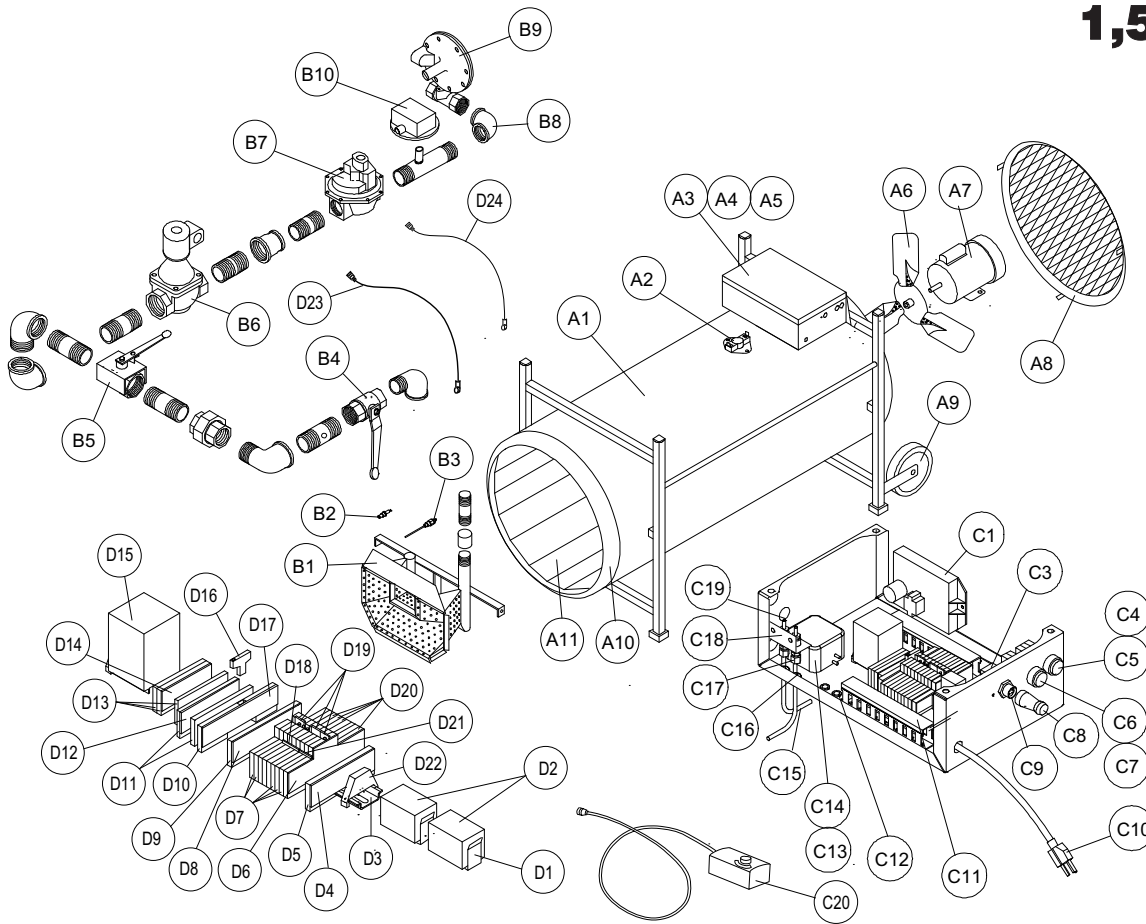
Item	Part No.	Description
C13	SFP S1500-710	Adjusted Air Switch
C14	SFP 9294	Vinyl Tube, 3/16"
C15	SFP S1500-109	Air Tube
C16	SFP 5515	Rubber Grommet
C17	SFP 2554	Compression Fitting, 1/4" Tubex 1/8" MNPT
C18	SFP S1500-502	Air Tube Bracket
C19	SFP 9293	Connector, 1/8" MNPT x .170" HB 90° Elbow
C20	SFP S1500-716	Remote Thermostat Assembly W/Cable
D1	SFP S1500-105	Mounting Rail
D2	SFP 9443	Ground Terminal Block (WK 4SL/U) Green/Yellow
D3	SFP 9264	Power Relay, 120V
D4	SFP 9264C	Relay Clip
D5	SFP 9280	End Plate (APC 1-2.5 D2/E), Green
D6	SFP 9275	Terminal Block (WKC 2.5 D2/2 SL35), Green
D7	SFP 9279	End Plate (APC 1-2.5 D2/E), Gray
D8	SFP 9277	Terminal Block (WKC 2.5 E/35), Red
D9	SFP 9283	Gross Connector, 2 Pole
D10	SFP 9284	Gross Connector, 3 Pole
D11	SFP 9285	Gross Connector, 5 Pole
D12	SFP 9276	Terminal Block (WKC 2.5E), Gray
D13	SFP 9274	Terminal Block (WKC 2.5 D2/2 SL35), Gray
D14	SFP 9278	Terminal Block (WKC 2.5 TKG/35), Gray
D15	SFP 9271	Fuse Holder
D16	SFP 9270	Fuse, 2A
D17	SFP 9273	Terminal Block (WKC 2.5 D1/2/3.5), Gray
D18	SFP 9281	End Plate (APC 1-2.5 D1/TK), Gray
D19	SFP 9282	End Plate (APC 1-2.5, Gray
D20	SFP 9272	Terminal Block (WKC 2.5/35), Gray
D21	SFP 8659	Utility Box

Parts Not Shown  
SFP HC1008 Ignition/Flame Sensor Wire Kit

# S1505B

## 1,500,000 BTU

**SN 4278  
and  
Beyond**

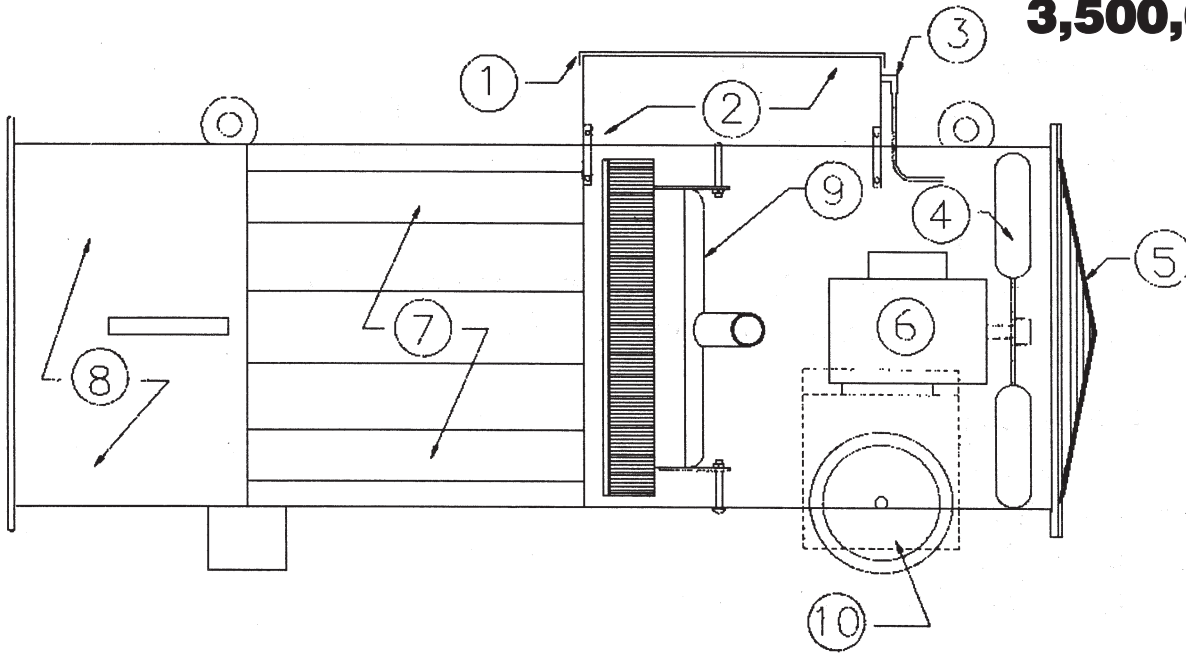


Item	Part No.	Description
A2	SFP 2446	Limit Switch, 180F
A3	SFP S1500-104	Control Box Lid
A4	SFP S1500-501	Control Box
A5	SFP 7723	Control Box Seal
A6	SFP 2423	Fan Blade
A7	SFP 9262	Motor, 1HP
A8	SFP SL11B-53	Screen
A9	SFP 6119	Wheel
A10	SFP SL11B-13	Nose Cone
A11	SFP SL11B-2	Heat Shield
B1	SFP BV85-50	Burner
B2	SFP 2143	Spark Plug
B3	SFP SL11B-86	Flame Rod
B4	SFP 2539	Manual Shut-Off Valve, 1-1/2"
B5	SFP S1505-81	Gas Selector Valve, 1-1/2"
B6	SFP 2537	Solenoid Valve, 1-1/2"
B7	SFP 4490	2-Stage Regulator, 1-1/4"
B8	SFP S1500-86	Strainer Assembly, 1-1/4"
B9	ACC 11SV08*	Regulator (optional)
B10	SFP 4509	Gas Pressure Switch
C1	HWP HC1001D	Flame Controller (Tab 1/4")
C3	SFP S1500-108	Wiring Duct
C4	SFP 9612	Start Button Assembly
C5	SFP S1500-718	Start Contact Block Assembly
C6	SFP 9611	Stop Button Assembly
C7	SFP S1500-717	Stop Contact Block Assembly
C8	SFP S1500-713	Thermostat Jumper Assembly
C9	SFP 8682	Thermostat Receptacle
C10	SFP 3868	Power Cord, 24"
C11	SFP S1500-107	Wiring Duct, 7"
C12	SFP 5509	Snap Bushing, 1/2"

Item	Part No.	Description
C13	SFP S1500-710	Adjusted Air Switch
C14	SFP 1707	Silicone Tube, 3/16"
C15	SFP S1500-109	Air Tube
C16	SFP 5515	Rubber Grommet
C17	SFP 2554	Compression Fitting, 1/4" Tubex 1/8" MNPT
C18	SFP S1500-502	Air Tube Bracket
C19	SFP 9293	Connector, 1/8" MNPT x .170" HB 90° Elbow
C20	SFP S1500-716	Remote Thermostat Assembly W/Cable
D1	SFP 9264C	Relay Holder Clip
D2	SFP 9264	Relay
D3	SFP S1500-105	DIN Mounting Rail
D4	SFP 4655	End Plate for 4668
D5	SFP 4668	Ground Terminal Block (gray)
D6	SFP 4654	End Plate for 4528
D7	SFP 4658	Terminal Block 2P+2P (gray)
D8	SFP 4657	End Plate for 4669
D9	SFP 4669	Terminal Block 4P (gray)
D10	SFP 4527	Fused Terminal Block (gray)
D11	SFP 4529	Terminal Block 3P (gray)
D12	SFP 4524	End Plate for 4529
D13	SFP 4530	Terminal Block 2P (gray)
D14	SFP 4525	End Plate for 4530
D15	SFP 8659	Utility Box
D16	SFP 9270	Fuse, 2A
	SFP 9271	Fuse Holder
D17	SFP 4526	End Plate for 4527
D18	SFP 4622	Jumper 5 Pole
D19	SFP 4523	Jumper 2 Pole
D20	SFP 4528	Terminal Block w/Light 2P+2P (red)
D21	SFP 4652	Jumper 3 Pole
D22	SFP 9443	Ground Terminal Block (green/yellow)
D23	WR4IEX-60	Ignition Wire
D24	WR7BAY-66	Flame Rod Wire

**2730C**  
**2,000,000 BTU**

**3050**  
**3,500,000 BTU**

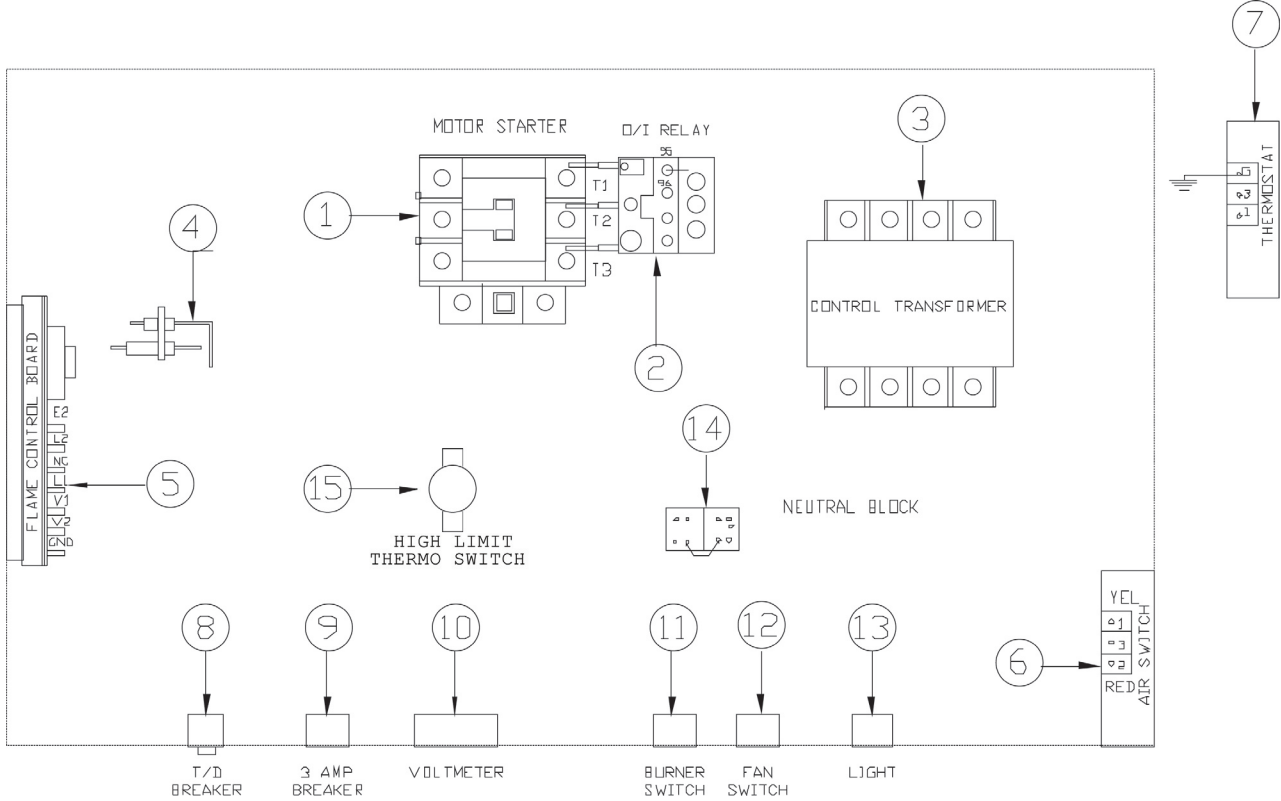


Item	Part No.	Description
1	HWP HC1069B	CONTROL BOX LID
2	HWP HC1069A	CONTROL BOX WITH LID
3	HWP HC1010	COPPER TUBE/AIR SWITCH
4	HWP HP1049	FAN BLADE 2730C
	HWP HP1049B	FAN BLADE 3050
5	HWP HG1050A	FAN GUARD 2730C
	HWP HG1050B	FAN GUARD 3050
6	HWP HM1056	MOTOR 1 PHASE 2730C
	HWP HM1066	MOTOR 3 PHASE 2730C
	HWP SM6162	MOTOR 1 PHASE 3050
	HWP FM308	MOTOR 3 PHASE 3050
7	HWP HB1077	HEAT SHIELD 2730C
	HWP HB1078	HEAT SHIELD 3050
9	HWP HB1021B	BURNER
10	HWP HW1065	WHEEL, 12" x 3" x 5/8" HUB
*	HWP HD1055	FUSED DISCONNECT (SINGLE PHASE)
*	HWP HD1057	FUSED DISCONNECT (THREE PHASE)
*	HWP HV1040	VAPORIZER RING
*	HWP HC1004B	IGNITER (ASSEMBLY)
*	HWP HC1005	IGNITION WIRE WITH FITTINGS
*	HWP HC1006	FLAME DETECTION WIRE WITH FITTINGS

\* Parts not shown on breakdown

# 2730C 2,000,000 BTU

# 3050 3,500,000 BTU

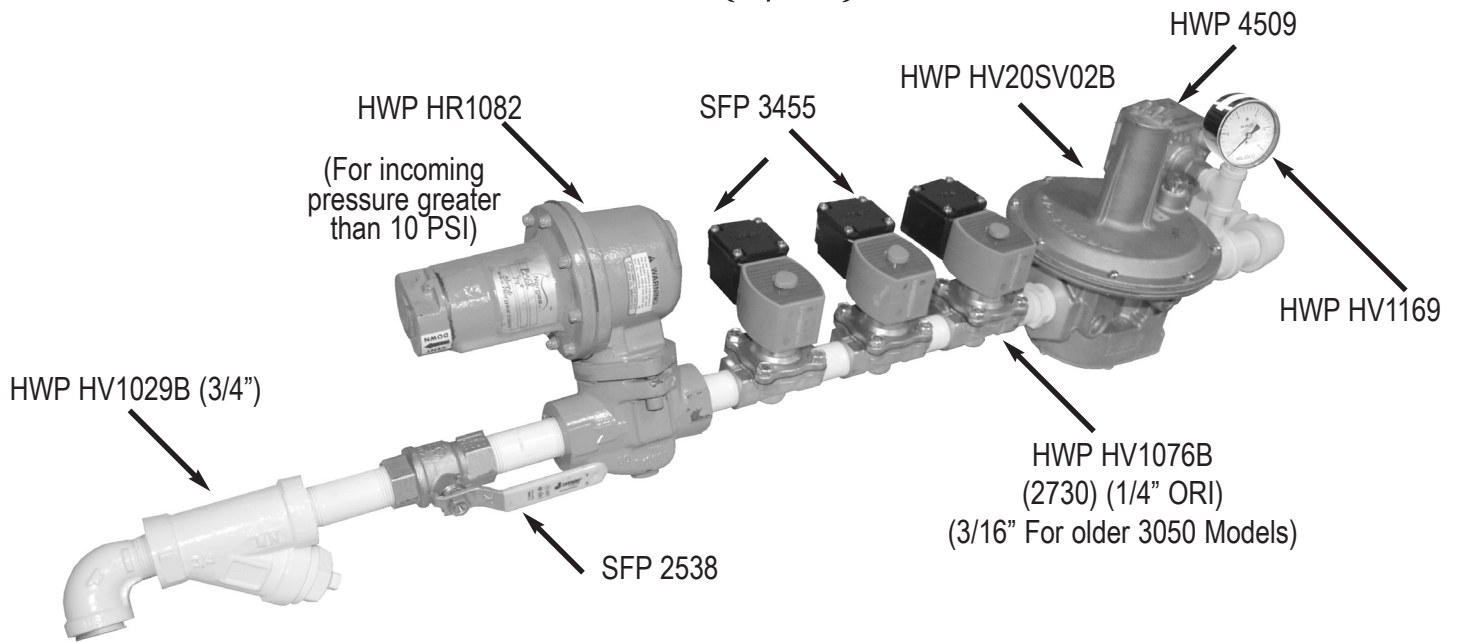


Item	Part No.	Description
1	HWP HS1044	MOTOR RELAY
2	HWP HS1046B	OVERLOAD RELAY (3PH)
3	HWP HC1017	CONTROL TRANSFORMER
4	HWP HC1004B	IGNITER (ASSEMBLY)
5	HWP HC1001C	D.S.I. CONTROL BOARD
6	HWP HC1010	AIR FLOW SWITCH
7	SFP 2453	HI-LO THERMOSTAT
8	HWP HC1072	TIME DELAY BREAKER
9	HWP HC1019B	3 AMP BREAKER
10	SFP 5989	VOLT METER (150 VOLTS)
11	HWP HC1011	BURNER SWITCH
12	HWP HC1011	FAN SWITCH
13	SFP 2505	LIGHT
14	DES 099125-03	TERMINAL BLOCK
15	HWP 2446	HIGH LIMIT THERMO SWITCH

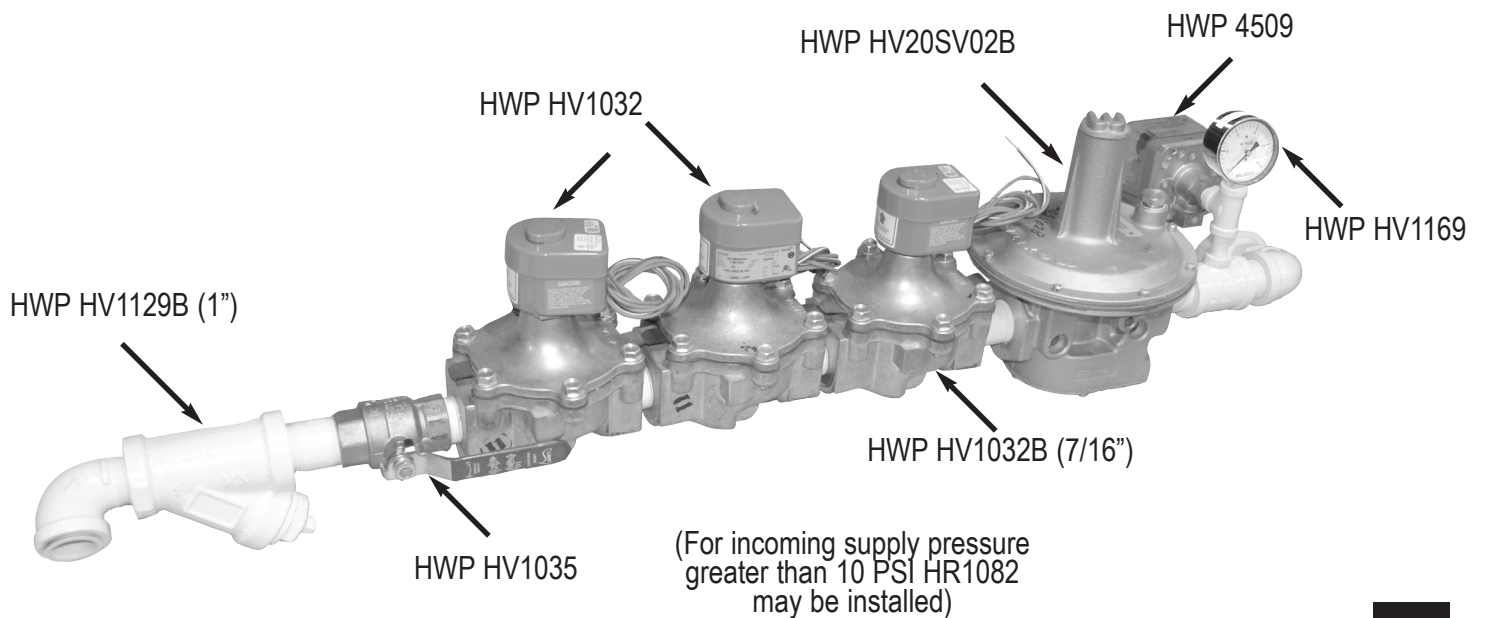
**2730C**  
**2,000,000 BTU**

**3050**  
**3,500,000 BTU**

2730C (3/4")

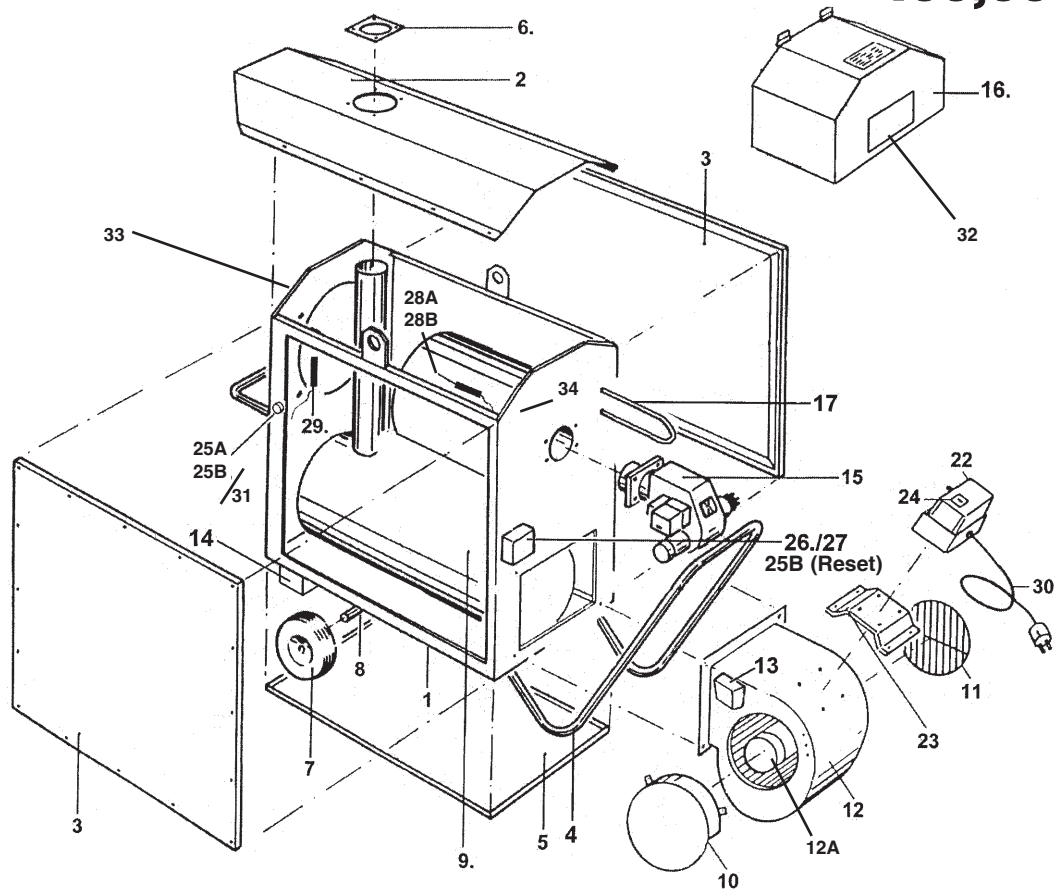


3050 (1")



# VG400

## 400,000 BTU



Item	Part No.	Description
1	HWP 2109001	HEATER FRAME
2	HWP 2109002	COVER PLATE
3	HWP 2109003	SIDE PANELS (2)
4	HWP 2109004	REAR HANDLE
5	HWP 2109005	BOTTOM PLATE
6	HWP 2109006	FLUE COLLAR
7	HWP HW1065	WHEEL
8	HWP 2109008	WHEEL SHAFT
9	HWP 2109009	BURNER CHAMBER ASSEMBLY
10, 11	HWP 2109010	FAN GUARD
12	HWP 12440	FAN
12A	HWP SP12440	BLOWER MOTOR
13	HWP 40900	FAN CONNECTION BOX USE 41000
14	HWP 2109014	FORKLIFT EYE
15	HWP 120008B	BURNER VG400
	HWP 120008	BURNER FOR OIL VF400
16	HWP 2109016	BURNER COVER
17	HWP 211153	OIL PREHEAT COIL
22	HWP 41000	MAIN CONTROL BOX ONLY
22A	HWP 210921	COMPLETE CONTROL BOX ASSEMBLY
23	HWP 2109023	BRACKET, MAIN CONTROL BOX
24	HWP 120021	MAIN SWITCH
25A	HWP 21800	OVERHEAT LIMIT SWITCH(bimetallic)
25B	HWP 21400**	OVERHEAT LIMIT (CAPILLARY)
26	HWP 40850	THERMOSTAT BOX
27	HWP 20579	HEATER CONTROL UNIT
28A	HWP 20581	FAN SENSOR (4" SENSOR)
28B	HWP 20583	FAN SENSOR (9" SENSOR)
29	HWP 20582	BURNER SENSOR (4" SENSOR)

Item	Part No.	Description
30	HWP HC1020	POWER CORD & PLUG
31	HWP 36811	RUBBER GROMMET
32	HWP 210938	PLASTIC WINDOW W/BRACKET
33	HWP 2109037	12" BLACK OUTLET ADAPTER

### NOT SHOWN IN DIAGRAM

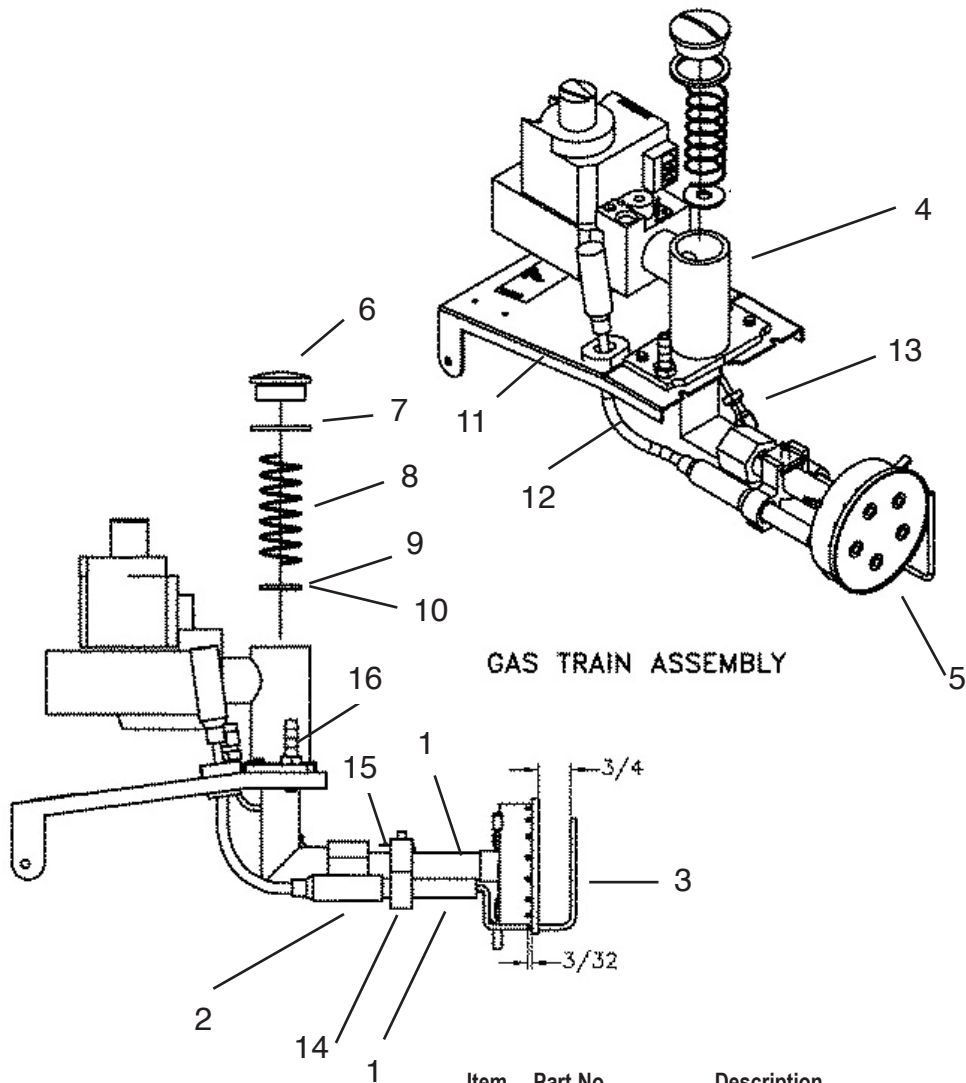
HWP 2436	CONTACTOR
HWP 46950	CAPACITOR, FAN MOTOR
HWP 80200	BURNER COVER LATCH
HWP 2109031	RADIATION SHIELD (UPPER)
HWP 12000	SMOKE FLUE W/RAIN CAP
HPW 2109033	RADIATION SHIELD (SIDE)
HWP 2453	REMOTE THERMOSTAT (w/o cord)
HWP 100428	GASKET FOR 120008 OR 120008B
HWP 21724011	FLANGE ADJ. FOR 120008 OR 12008B
HWP 62438008	L.P. ORIFICE (.332)
HWP 62438011	NATURAL GAS ORIFICE (.468)
HWP 40850SS	SILICONE SEAL - 40850 THERM. BOX
ACC 40SV06	OPTIONAL REGULATOR FOR MORE THAN 14" W.C.
HWP 210047	RUBBER EDGE SEAL (SOLD PER FOOT) (30 FEET PER HEATER)
HWP 2109034	WIRE HARNESS
HWP DKV400	DECAL KIT
HWP 86800	SILICONE SLEEVE (sold in 4ft. sections)
HWP 180036	KIT TO CHANGE OVERHEAT LIMIT
HWP F102GG1	BLOWER MOTOR SUPPORT
HWP 180023	TERMINAL BLOCK
ACC WD1225	DUCT

\*\*Note: Overheat limit switch - New design (capillary tube)  
S/N M2728-2746, M4769 and greater



# VG400 400,000 BTU

## Wayne Burner

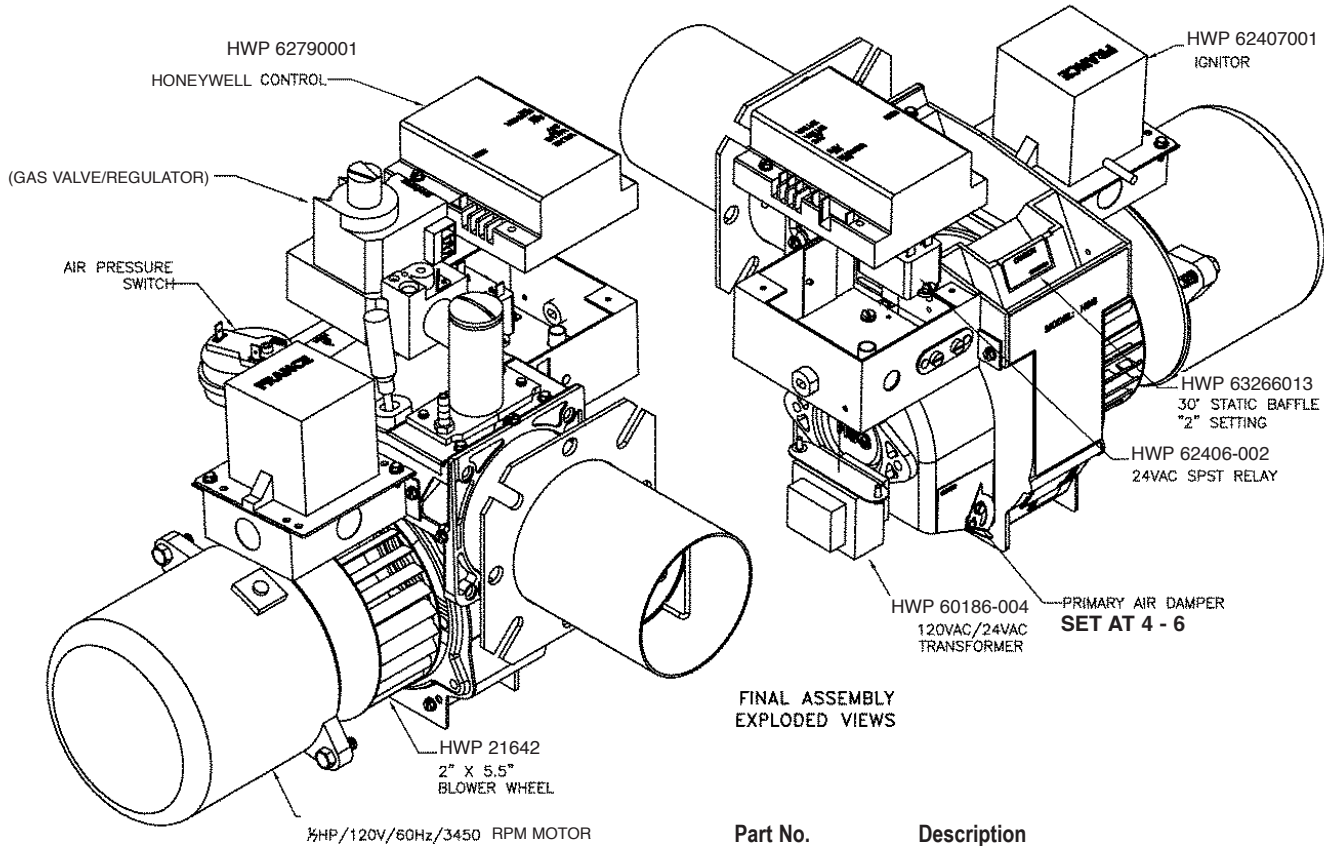


GAS TRAIN ASSEMBLY

Item	Part No.	Description
1	HWP 62391002	ELECTRODE
2	HWP 62387001	ELECTRODE SLEEVES (QTY 2)
3	HWP 62390002	FLAME SENSOR
4	HWP 62402001	ORIFICE HOUSING
5	HWP 62575001	BURNER MANIFOLD
6	HWP 62385001	ORIFICE CAP
7	HWP 62401001	ORIFICE CAP GASKET
8	HWP 62410001	ORIFICE SPRING
9	HWP 62438008	.332 PROPANE ORIFICE
10	HWP 62438011	.468 NAT GAS ORIFICE
11	HWP 62404002	TOP PLATE HOUSING COVER
12	HWP 62909001	IGNITION WIRE
13	HWP HC1006	FLAME SENSOR WIRE
14	HWP 61951001	ELECTRODE BRACKET
15	HWP 62419001	CLIP (Included w/bracket-61951001)
16	HWP 100968-002	AIR SWITCH BARB FITTING

# VG400 400,000 BTU

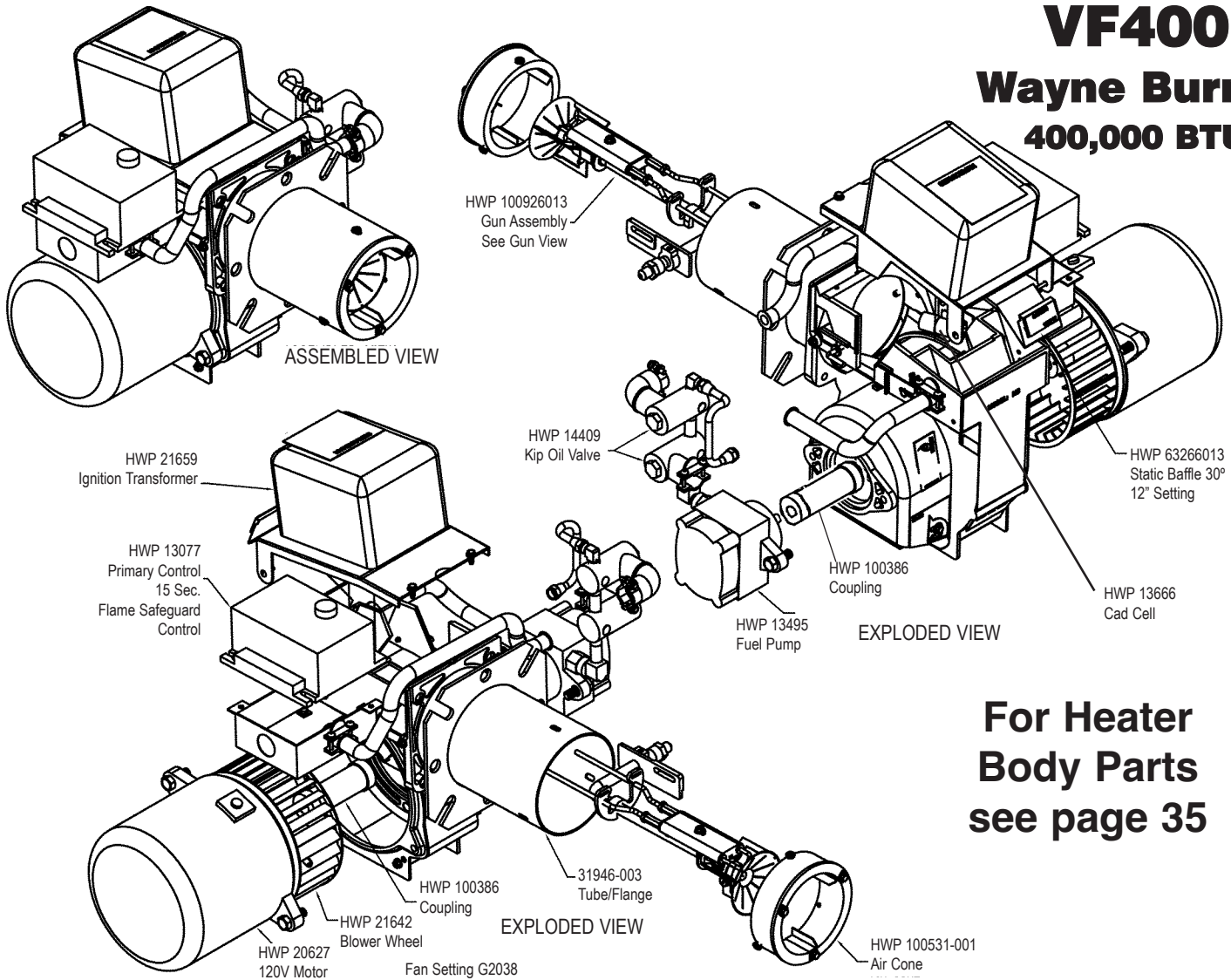
## Wayne Burner



FINAL ASSEMBLY  
EXPLODED VIEWS

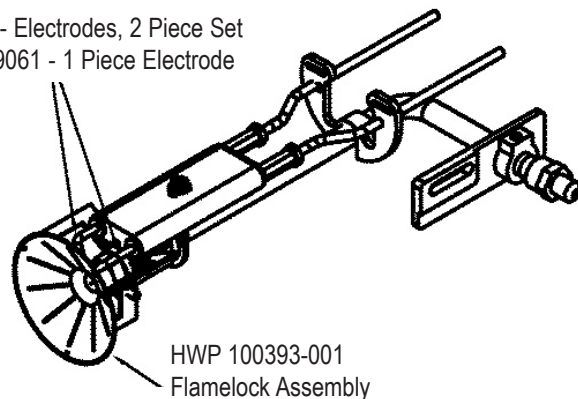
Part No.	Description
HWP 62790001	Honeywell Control
HWP 62375001	Combination Valve
HWP 63263-005	Air Pressure Switch
HWP 21642	2" x 5.5" Blower Wheel
HWP 20627	1/7 HP, 3450 RPM Motor
HWP 62407001	Igniter
HWP 63266013	30" Static Baffle, "2" Setting
HWP 62406001	24 VAC SPST Relay
HWP 60186-004	120 VAC/24VAC Transformer
HWP 62391002	Electrode
HWP 62387001	Electrode Sleeves (Qty 2)
HWP 62390002	Flame Sensor
HWP 62402001	Orifice Housing
HWP 62575001	Burner Manifold
HWP 624385001	Orifice Cap
HWP 62401001	Orifice Cap Gasket
HWP 62410001	Orifice Spring
HWP 62438008	.332 Propane Orifice
HWP 62438011	.468 Nat Gas Orifice
HWP 62404002	Top Plate Housing Cover
HWP 62909001	Ignition Wire
HWP HC1006	Flame Sensor Wire
HWP 100968-002	Barb Hose Fitting for Air Switch

# VF400 Wayne Burner 400,000 BTU

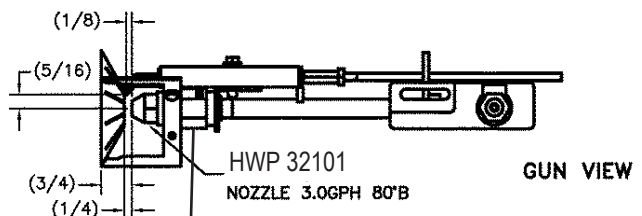


For Heater  
Body Parts  
see page 35

HWP 21684 - Electrodes, 2 Piece Set  
HWP 100989061 - 1 Piece Electrode



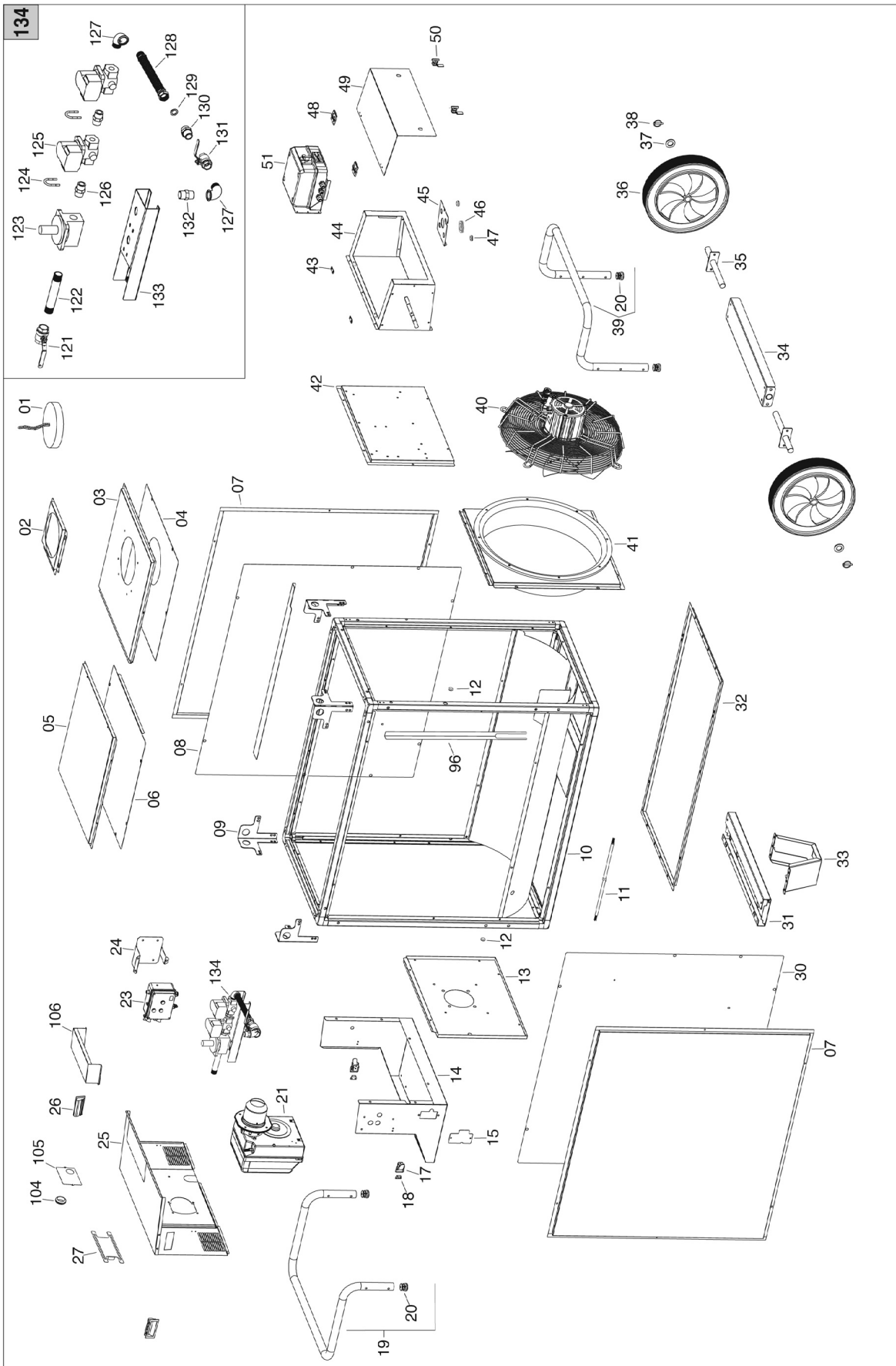
Part No.	Description
HWP 100926013	Gun Assembly
HWP 21659	Ignition Transformer
HWP 13077	Primary Control
HWP 14409	Kip Oil Valve
HWP 13495	Fuel Pump
HWP 100386	Coupling
HWP 13666	Cad Cell
HWP 63266013	Static Baffle
HWP 20627	120V Motor
HWP 21642	Blower Wheel
HWP 100386	Coupling
HWP 31946-003	Tube/Flange
HWP 100531-001	Air Cone
HWP 32101	Nozzle
HWP 21684	Electrodes, 2 Pc.
HWP 100989061	Electrode 1 Pc.
HWP 12362	Nozzle Adapter
HWP 100393-001	Flamelock Assembly



HWP 12362 - Nozzle Adapter

# VG600A

## 600,000 BTU

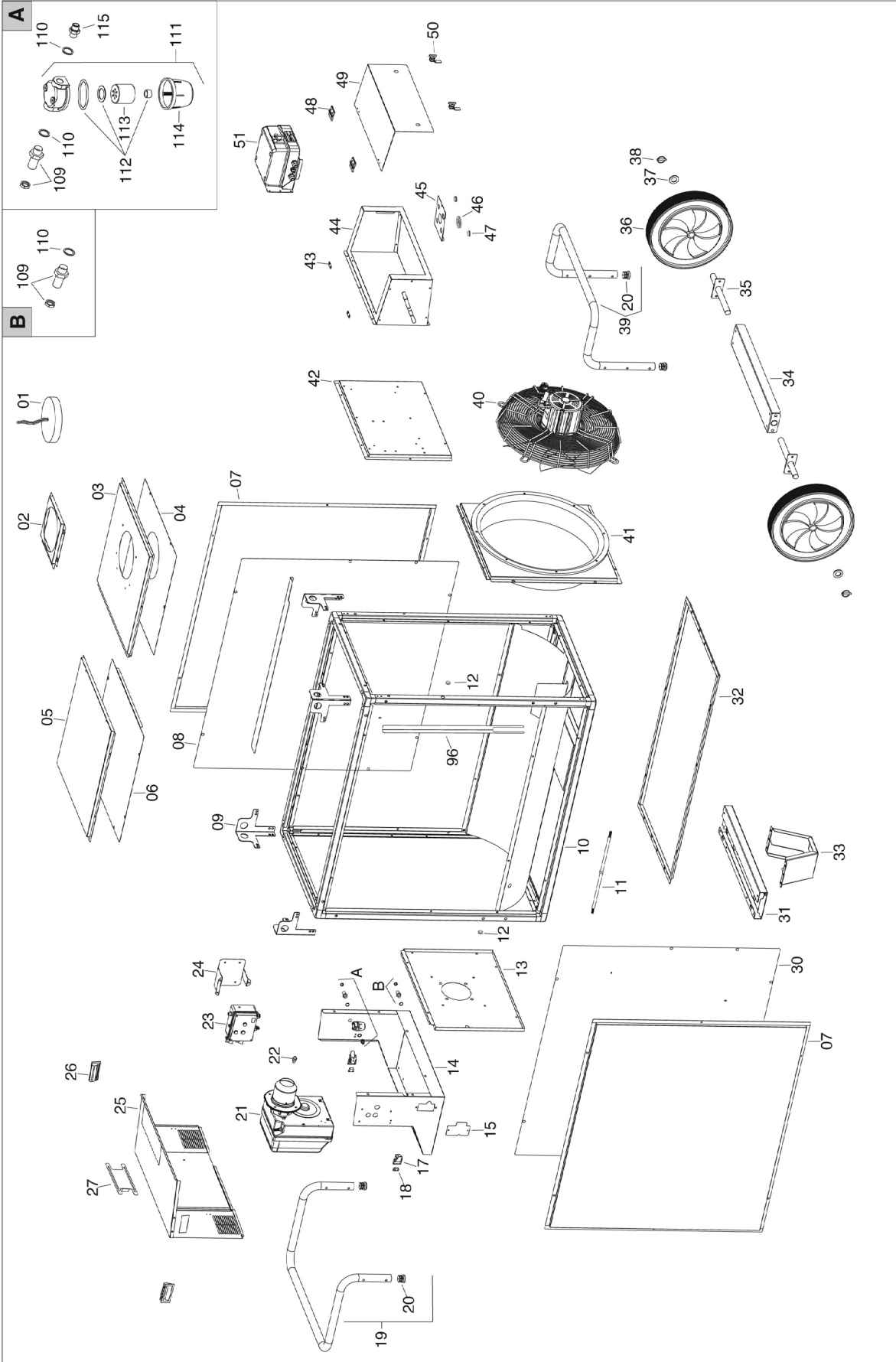


# VG600A

## 600,000 BTU

Item	Part No.	Description	Item	Part No.	Description
1	BIE C30400-10	Cap	61	BIE E10455	Contactora
2	BIE G04360	Panel	62	BIE E20301	Terminal Board
3	BIE G04393-3001	Panel	63	BIE E20319	Ground Terminal Board
4	BIE G04394	Panel	64	BIE E20508	Fuse Holder
5	BIE G04395-3001	Panel	65	BIE E10313	Fuse Holder
6	BIE G04396	Panel	66	BIE G04388	Support Plate
7	BIE G04397-3001	Panel	67	BIE E20959	Cable Fastener
8	BIE G04398	Panel	68	BIE E20960	Cable Fastener Nut
9	BIE G04289	Stirrup	69	BIE E50794	Thermoregulator
10	BIE G04399-9005	Frame	70	BIE E50794-1	Seal
11	BIE E30482-2	Power Cord	71	BIE E20933	Cable Fastener
12	BIE C30301	Cable Protection	72	BIE E20956	Cable Fastener Nut
13	BIE G04400-9005	Panel	73	BIE E20970	Cable Fastener
14	BIE G04568-9005	Base	74	BIE E20971	Cable Fastener Nut
15	BIE G04370-9005	Panel	75	BIE G04570	Combustion Chamber
17	BIE M20430	Toggle Latch	76	BIE G04413	Chimney Fitting
18	BIE M20431	Catch	77	BIE T10805	Seal
19	BIE P20318-9005	Handle	78	BIE G04414	Panel
20	BIE C30398	Cap	79	BIE T10694	Insulating Gasket
21	BIE 074B108	Gas Burner	80	BIE E50794-2	Thermocouple
23	BIE G00522	El. Control Box	81	BIE T10691	Insulating Gasket
24	BIE G04371-9005	Thermostat Support Bracket	82	BIE T10405	Tempered Glass
25	BIE G04569-3001	Panel	83	BIE T10692	Insulating Gasket
26	BIE C10209	Handle	84	BIE G04298	Disc
27	BIE G04563-9005	Panel	85	BIE G04304	Turbulence-Generating Grid
30	BIE G04404	Panel	86	BIE E20706-02	El. Components Box
31	BIE G04405-9005	Support Bracket	87	BIE E50749	Safety Thermostat
32	BIE G04406-9005	Panel	88	BIE E50750	Safety Thermostat Plastic Profile
33	BIE G04378-9005	Support Bracket	89	BIE E20688	Plug
34	BIE G04407-9005	Wheels Axle Support	90	BIE E20665	Thermostat Plug Cover
35	BIE G04380	Wheel Axle	91	BIE E20640	Thermostat Plug
36	BIE C10566	Wheel	92	BIE E20301	Terminal Board
37	BIE M20111	Washer	93	BIE G04392	Support Plate
38	BIE M20505	Latched Pin	94	BIE E11033	Lamp
39	BIE P20312-9005	Bumper	95	BIE E11030	Lamp
40	BIE E10799-60-TR	Air Fan Assembly	96	BIE G04485	Protective Panel
41	BIE G04408-9005	Panel	104	BIE C30376	Cable Protection
42	BIE G04409-9005	Support Bracket	105	BIE G04565-9005	Panel
43	BIE G04383	Spacer	106	BIE G04488-9005	Protective Panel
44	BIE G04410-9005	Electrical Panel Control Box	121	BIE T30333	Gas Manual Valve
45	BIE G04385-9005	Support Plate	122	BIE I25022	Iron Fitting
46	BIE C30376	Cable Protection	123	BIE T30116	Pressure Regulator
47	BIE C30895	Cable Protection	124	BIE M20907	Stirrup
48	BIE M20432	Hinge	125	BIE T30115	Gas Valve Unit
49	BIE G04411-9005	Panel	126	BIE I31204	Fitting
50	BIE M20418	Lock	127	BIE I20327	Fitting
51	BIE G00519	El. Control Box	128	BIE I39106	Flex Gas Pipe
52	BIE E10799-60-01	Fan	129	BIE I39102	Seal
53	BIE E10799-60-02	Inlet Grill	130	BIE I31205-1	Fitting
54	BIE E10796-TR	Motor	131	BIE T30330-6	Gas Selector Valve
55	BIE E10796-1	Capacitor	132	BIE I31204-2	Fitting
56	BIE E10777-05	Hardware Kit (screws, nuts, washers)	133	BIE G04571	Gas Valve Support Bracket
57	BIE G04387-9005	Stirrup	134	BIE 074B210	Gas Train
58	BIE E20725-04	El. Components Box			
59	BIE E11033	Lamp			
60	BIE E10141	Switch			

# VF600A 600,000 BTU



# VF600A

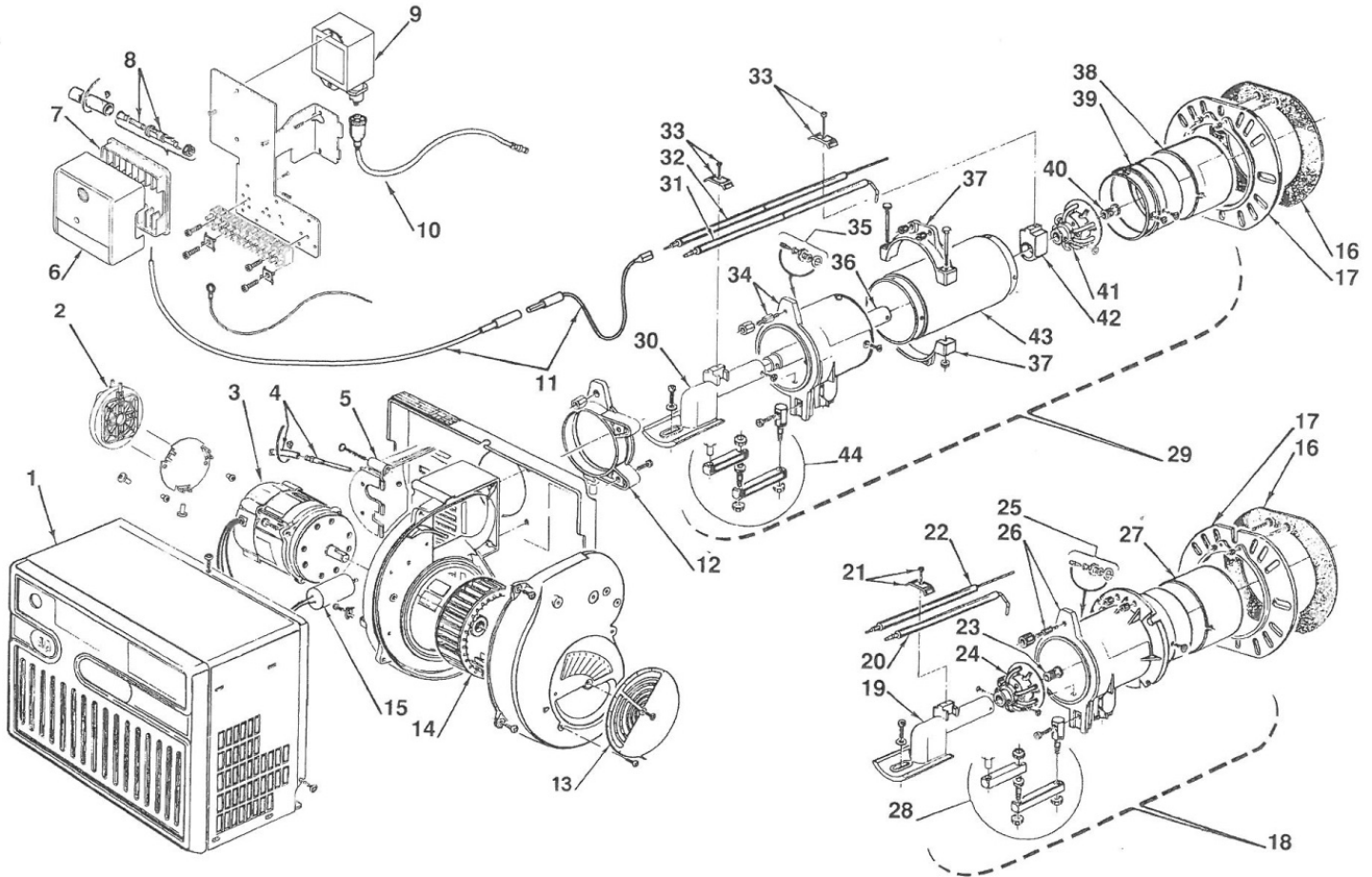
## 600,000 BTU

Item	Part No.	Description	Item	Part No.	Description
1	BIE C30400-10	Cap	56	BIE E10777-05	Hardware Kit (screws, nuts, washers)
2	BIE G04360	Panel	57	BIE G04387-9005	Stirrup
3	BIE G04393-3001	Panel	58	BIE E20725-04	El. Components Box
4	BIE G04394	Panel	59	BIE E11033	Lamp
5	BIE G04395-3001	Panel	59	BIE E11033	Lamp
6	BIE G04396	Panel	60	BIE E10141	Switch
7	BIE G04397-3001	Panel	61	BIE E10455	Contactora
8	BIE G04398	Panel	62	BIE E20301	Terminal Board
9	BIE G04289	Stirrup	63	BIE E20319	Ground Terminal Board
10	BIE G04399-9005	Frame	64	BIE E20508	Fuse Holder
11	BIE E30482-2	Power Cord	65	BIE E10313	Fuse Holder
12	BIE C30301	Cable Protection	66	BIE G04388	Support Plate
13	BIE G04400-9005	Panel	67	BIE E20959	Cable Fastener
14	BIE G04568-9005	Base	68	BIE E20960	Cable Fastener Nut
15	BIE G04370-9005	Panel	69	BIE E50794	Thermoregulator
17	BIE M20430	Toggle Latch	70	BIE E50794-1	Seal
18	BIE M20431	Catch	71	BIE E20933	Cable Fastener
19	BIE P20318-9005	Handle	72	BIE E20956	Cable Fastener Nut
20	BIE C30398	Cap	73	BIE E20970	Cable Fastener
21	BIE 076B202	Oil Burner	74	BIE E20971	Cable Fastener Nut
22	BIE T20237	Nozzle	75	BIE G04570	Combustion Chamber
23	BIE G00522	El. Control Box	76	BIE G04413	Chimney Fitting
24	BIE G04371-9005	Thermostat Support Bracket	77	BIE T10805	Seal
25	BIE G04569-3001	Panel	78	BIE G04414	Panel
26	BIE C10209	Handle	79	BIE T10694	Insulating Gasket
27	BIE G04563-9005	Panel	80	BIE E50794-2	Thermocouple
30	BIE G04404	Panel	81	BIE T10691	Insulating Gasket
31	BIE G04405-9005	Support Bracket	82	BIE T10405	Tempered Glass
32	BIE G04406-9005	Panel	83	BIE T10692	Insulating Gasket
33	BIE G04378-9005	Support Bracket	84	BIE G04298	Disc
34	BIE G04407-9005	Wheels Axle Support	85	BIE G04304	Turbulence-Generating Grid
35	BIE G04380	Wheel Axle	86	BIE E20706-02	El. Components Box
36	BIE C10566	Wheel	87	BIE E50749	Safety Thermostat
37	BIE M20111	Washer	88	BIE E50750	Safety Thermostat Plastic Profile
38	BIE M20505	Latched Pin	89	BIE E20688	Plug
39	BIE P20312-9005	Bumper	90	BIE E20665	Thermostat Plug Cover
40	BIE E10799-60-TR	Air Fan Assembly	91	BIE E20640	Thermostat Plug
41	BIE G04408-9005	Panel	92	BIE E20301	Terminal Board
42	BIE G04409-9005	Support Bracket	93	BIE G04392	Support Plate
43	BIE G04383	Spacer	94	BIE E11033	Lamp
44	BIE G04410-9005	Electrical Panel Control Box	95	BIE E11030	Lamp
45	BIE G04385-9005	Support Plate	96	BIE G04485	Protective Panel
46	BIE C30376	Cable Protection	109	BIE I20337	Fitting
47	BIE C30895	Cable Protection	110	BIE M20123	Aluminum Washer
48	BIE M20432	Hinge	111	BIE T20201	Diesel Filter
49	BIE G04411-9005	Panel	112	BIE T20206	Filter Cartridge
50	BIE M20418	Lock	113	BIE T20234	Filter Seal Kit
51	BIE G00519	El. Control Box	114	BIE T20212	Filter Container
52	BIE E10799-60-01	Fan	115	BIE I20104	Iron Fitting
53	BIE E10799-60-02	Inlet Grill			
54	BIE E10796-TR	Motor			
55	BIE E10796-1	Capacitor			

# VG600A

## 600,000 BTU

### Riello Burner



#### Item Part No.

1	BIE 3007246	Burner Back Cover
2	BIE 3020314	Air Pressure Switch
3	BIE 3005845	Burner Motor
4	BIE 3007288	Air Switch Tube and Connector
5	BIE 3007294	Air Plate Cover
6	BIE 3013072	Primary Control Box
7	BIE 3003784	Primary Control Sub-Base
8	BIE 3006804	Fuse 6.25A
9	BIE 3002462	Transformer-Ignition
10	BIE 3002461	High Voltage Lead
11	BIE 3007310	Ionization Lead
12	BIE 3006689	Chassis Mounting Collar
13	BIE 3007206	Air Gate
14	BIE 3005799	Fan
15	BIE 20087033	Capacitor 20uF
16	BIE 3005852	Mounting Gasket
17	BIE 3005851	Universal Mounting Flange
18	BIE 3950471	Short Combustion Head (280T1)
19	BIE 3006697	Drawer Assembly Elbow
20	BIE 3006706	Electrode Assembly
21	BIE 3003409	Electrode & Ionization Clamp
22	BIE 3020209	Ionization Assembly

#### Item Part No.

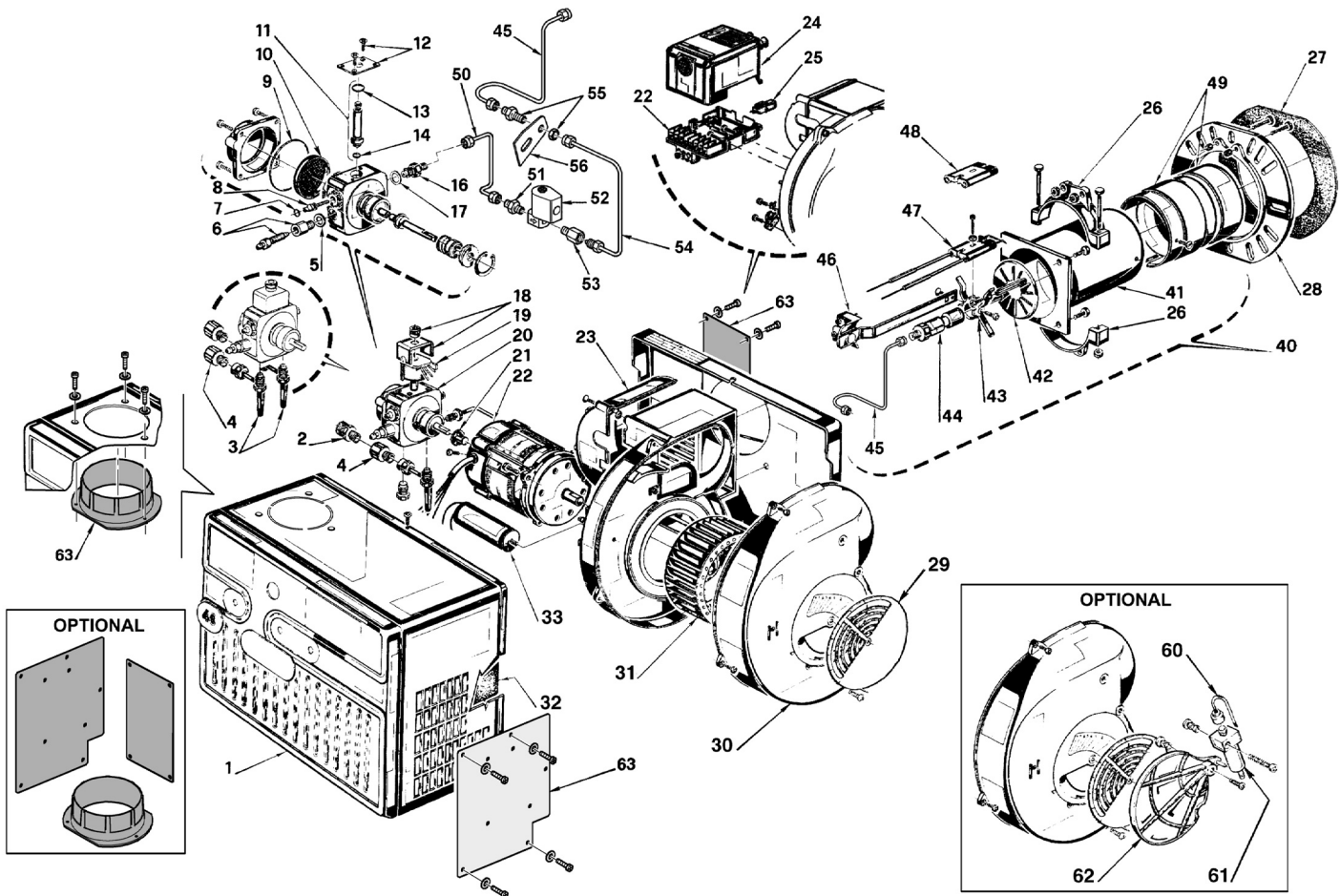
23	BIE 3006703	Natural Gas Diaphragm
24	BIE 3006700	Distributor Head and Mixing Plate
25	BIE 3005447	Gas Test Port
26	BIE 3007525	Manifold
27	BIE 3006694	End Cone
28	BIE 3000870	Hinge Assembly
29	BIE 3950472	Long Combustion Head (280T2)
30	BIE 3006697	Drawer Assembly Elbow
31	BIE 3006962	Electrode Assembly
32	BIE 3020210	Ionization Assembly
33	BIE 3003409	Electrode & Ionization Clamp
34	BIE 3007526	Manifold
35	BIE 3005447	Gas Test Point
36	BIE 3007313	Natural Gas Tube
37	BIE 3005849	Semi Flange 2 Required
38	BIE 3006694	End Cone
39	BIE 3007283	Combustion Head Connector
40	BIE 3006703	Natural Gas Diaphragm
41	BIE 3006700	Distributor Head and Mixing Plate
42	BIE 3007314	Electrode Support
43	BIE 3007286	Air Tube-Long
44	BIE 3000870	Hinge Assembly



# VF600A

## 600,000 BTU

### Riello Burner



Item	Part No.	Description
1	BIE 3020510	Burner Rack Cover
2	BIE 3006571	3/8" NPT / Metric Adapter - Male
3	BIE 3006994	Pipe Connector - Supply and Return
4	BIE 3005847	1/4" NPT / Metric Adapter Female
5	BIE 3007077	Crushable Metal Washer
6	BIE 3007568	Bleeder
7	BIE 3007028	O-Ring - Pump Pressure Regulator
8	BIE 3007202	Regulator Screw
9	BIE 3007162	O-Ring Pump Cover
10	BIE 3005719	Pump Screen
11	BIE 3006925	Valve Stem
12	BIE 3007203	Valve Stem Plate
13	BIE 3007029	O-Ring - Valve Stem Upper
14	BIE 3007156	O-Ring - Valve Stem Lower
15	BIE 3002278	Primary Control Sub Base
16	BIE 3007268	Nozzle Outlet Fitting
17	BIE 3007087	Crushable Metal Washer
18	BIE 3006553	Coil U-Bracket and Knurled Nut
19	BIE 3002279	Coil
20	BIE 3007802	Pump
21	BIE 3000443	Pump Drive Key
22	BIE 3005845	Motor
23	BIE 3007318	Air Tube Cover
24	BIE 3002280	Photo-Cell
25	BIE 3001157	Primary Control 530SE/C
26	BIE 3005849	Semi Flange
27	BIE 3005852	Mounting Gasket
28	BIE 3005851	Universal Mounting Flange
29	BIE 3007206	Manual Air Shutter
30	BIE 3007211	Air Intake Housing

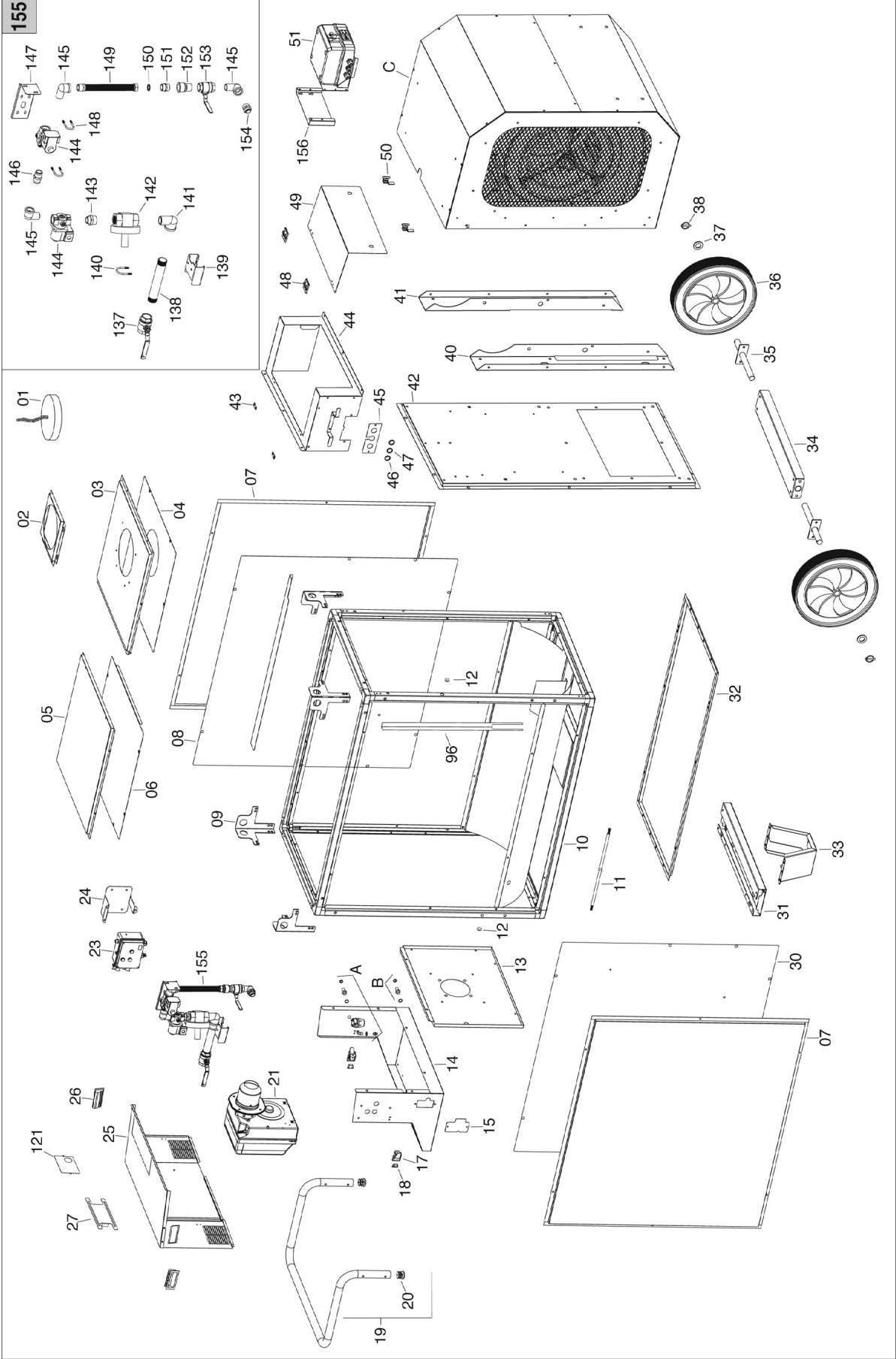
Item	Part No.	Description
31	BIE 3005799	Fan
32	BIE 3007358	Acoustic Liner
33	BIE 20087024	Capacitor 16uF
40	BIE 3949171	Short Combustion Head 5" (274T1)
41	BIE 3005892	Short Air Tube
42	BIE 3005897	Turbulator Disc
43	BIE 3005896	Cross - Casting
44	BIE 3006965	Nozzle Adapter
45	BIE 3006987	Nozzle Oil Tube - Short
46	BIE 3005900	Regulator Assembly - Short
47	BIE 3005902	Electrode Assembly - Short
48	BIE 3005869	Electrode Porcelain
49	BIE 3005895	End Cone
50	BIE 3020300	Oil Line
51	BIE 3020307	Male Adapter
52	BIE 3020299	Solenoid Valve
53	BIE 3020304	Adapter
54	BIE 3020301	Oil Line
55	BIE 3020303	Adaptor and Nut
56	BIE 3020302	Bracket

Optional	Part No.	Description
60	BIE 3007816	Capillary Tube
61	BIE 3006911	Hydraulic Jack
62	BIE 3000880	Hydraulic air Shutter
63	BIE 3002762	Ducted Combustion Air Intake

**Not Shown**  
Nozzle 3.00 x 60A

# VG750

## 750,000 BTU



# VG750

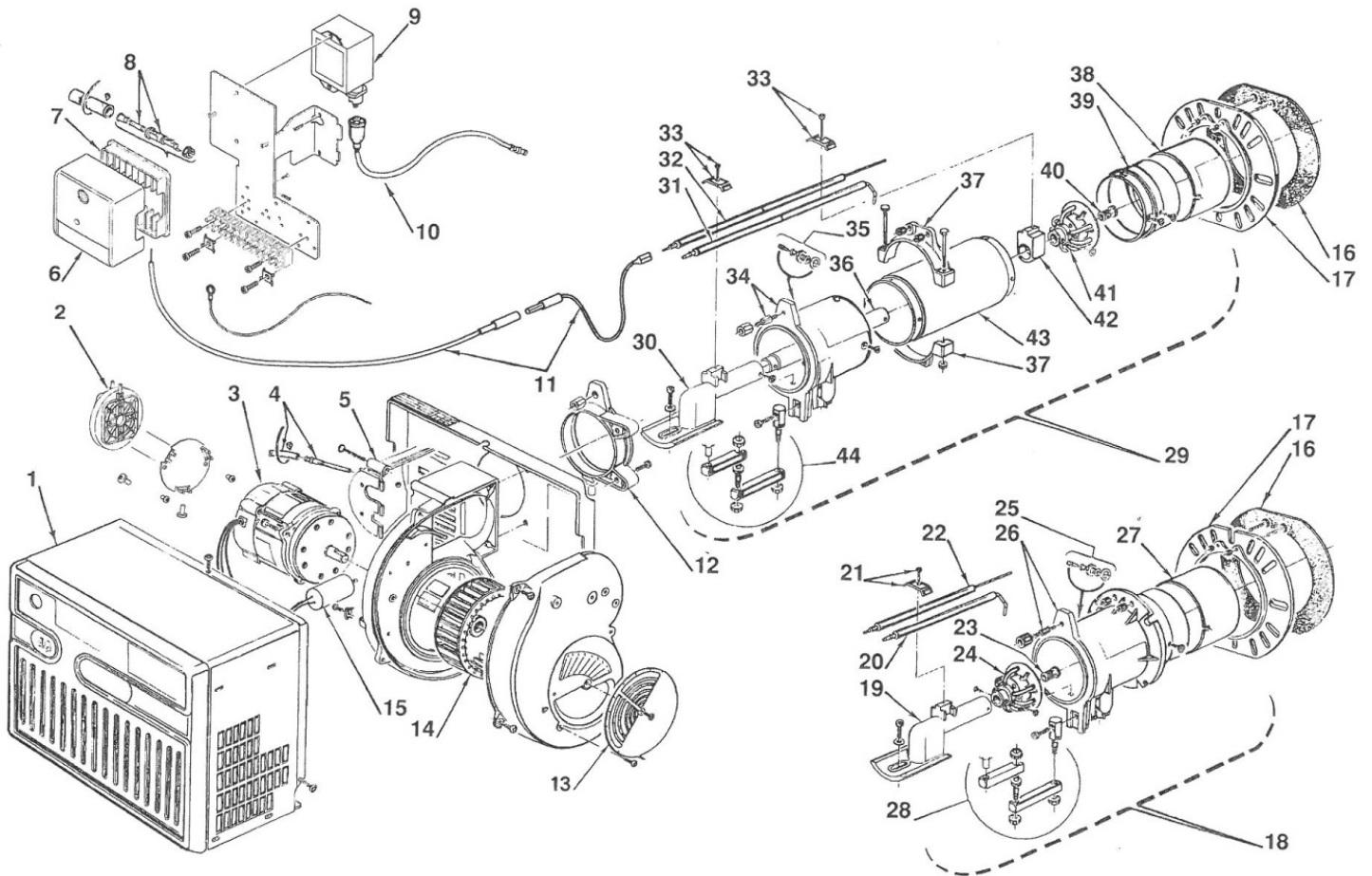
## 750,000 BTU

Item	Part No.	Description	Item	Part No.	Description
1	C30400-10	Cap	78	G04555	Panel
2	G04360	Panel	79	T10803	Seal
3	G04535-9010	Panel	80	E50794-2	Thermocouple
4	G04536	Panel	81	T10691	Insulating Gasket
5	G04537-9010	Panel	82	T10405	Tempered Glass
6	G04538	Panel	83	T10692	Insulating Gasket
7	G04539-9010	Panel	84	G04298	Disc
8	G04540	Panel	95	G10673	Turbulence-Generating Grid
9	G04289	Stirrup	86	E20706-02	EI Components Box
10	G04541-9005	Frame	87	E50749	Safety Thermostat
11	E30482-2	Power Cord	88	E50750	Safety Thermostat Plastic Profile
12	C30301	Cable Protection	89	E20688	Plug
13	G04560-9005	Panel	90	E20665	Thermostat Plug Cover
14	G04561-9005	Base	91	E20640	Thermostat Plug
15	G04370-9005	Panel	92	E20301	Terminal Board
17	M20430	Toggle Latch	93	G04392	Support Plate
18	M20431	Catch	94	E11033	Lamp
19	P20319-9005	Handle	95	E11030	Lamp
20	C30398	Cap	96	G04556	Protective Panel
21	140018B	Burner	104	G04557-9010	Fan Box
23	G00522	EI Control Box	105	T10707	Fan
24	G04371-9005	Thermostat Support Bracket	106	M10234	Screw
25	G04562-3001	Panel	107	G04558-9005	Support Plate
26	C10209	Handle	108	M10714	Nut
27	G04373-9005	Panel	109	E10684-220	Motor
30	G04544	Panel	111	C10944-28	Sheave
31	G04376-9005	Support Bracket	112	C10948	Belt
32	G04546-9005	Panel	113	C10946-25	Sheave
33	G04547-9005	Support	114	G04559-9005	Panel
34	G04379-9005	Wheel Axle Support Bracket	115	G04513-9005	Air Adjustment Shutter
35	G04548	Wheel Axle	116	E11030	Lamp
36	C10572	Wheel	117	E11172	Manual Motor Starter
37	M20111	Washer	118	E20347	Stirrup
38	M20505	Latched Pin	119	E11165	Auxiliary Contact
40	G04549-9005	Support Bracket	121	G04585-9005	Panel
41	G04550-9005	Support Bracket	137	T30361	Gas Manual Valve
42	G04551-9005	Panel	138	I25026	Iron Fitting
43	G04383	Spacer	139	G04566	Stirrup
44	G04522-9005	Electrical Panel Box	140	M20921	Stirrup
45	G04385-9005	Support Plate	141	I20349	Fitting
46	C30316	Hole Cap	142	T30124	Pressure Regulator
47	C30389	Cable Protection	143	I20348	Fitting
48	M20432	Hinge	144	T30123	Gas Valve Unit
49	G04553-9005	Panel	145	I20346	Fitting
50	M20418	Lock	146	I20347	Fitting
51	G00521	EI Control Box	147	G04567	Gas Valve Support Bracket
57	G04387-9005	Stirrup	148	M20920	Stirrup
58	DE20725-03	EI Components Box	149	I20929	Fitting
59	E11033	Lamp	150	I39118	Flex Gas Pipe
60	E10141	Switch	151	I39119	Seal
61	E10455	Contact	152	I20119	Brass Fitting
62	E20301	Terminal Board	153	I20351	Fitting
63	E20319	Ground Terminal Board	154	T30360-1	Gas Selector Valve
64	E20508	Fuse Holder	155	I20927-1	Fitting
65	E10308	Fuse	156	074B21	Gas Train
66	G04388	Support Plate			
67	E20959	Cable Fastener			
68	E20960	Cable Fastener Nut			
69	E50794	Thermoregulator			
70	E50794-1	Seal			
71	E20933	Cable Fastener			
72	E20956	Cable Fastener Nut			
73	E20970	Cable Fastener			
74	EE20971	Cable Fastener Nut			
75	G04581	Combustion Chamber			
76	G04413	Chimney Fitting			
77	T10805	Seal			

# VG750

## 600,000 BTU

### Riello Burner



Item	Part No.	Description
1	3007246	Burner Back Cover
2	3020314	Air Pressure Switch
3	3005845	Burner Motor
4	3007288	Air Switch Tube and Connector
5	3007294	Air Plate Cover
6	3013072	Primary Control Box
7	3003784	Primary Control Sub-Base
8	3006804	Fuse 6.25A
9	3002462	Transformer - Ignition
10	3002461	High Voltage Lead
11	3007310	Ionization Lead
12	3006689	Chassis Mounting Collar
13	3007206	Air Gate
14	3005799	Fan
15	20087033	Capacitor 20 uF
16	3005852	Mounting Gasket
17	3005851	Universal Mounting Flange
18	3950471	Shirt Combustion Head (280T1)
19	3006697	Drawer Assembly Elbow
20	3006706	Electrode Assembly
21	3003409	Electrode & Ionization Clamp
22	3020209	Ionization Assembly
23	3006703	Natural Gas Diaphragm
24	3006700	Distribution Head and Mixing Plate
25	3005447	Gas Test Point
26	3007525	Manifold
27	3006694	End Cone
28	3000870	Hinge Assembly

# Model TD600



## Mobile Hydronic Heater

TD300



For Ground Thaw and Concrete Cure Applications

TD600



Max Thawing Capability With 3,000' Hose...4,500 Sq. Ft.(18" Spacing)

Max Curing Capability With 3,000' Hose...6,000 Sq. Ft.(24" Spacing)

Max Thawing Capability With 5,000' Hose...7,500 Sq. Ft.(18" Spacing)  
Max Curing Capability With 5,000' Hose...10,000 Sq. Ft.(24" Spacing)

### Heating Unit

**TD600**  
 Burner Riello single stage  
 Fuel Diesel fuel/#1 or 2 heating oil  
 Input Capacity 620,200 BTU/hr., 182 KW  
 Output Capacity 508,564 BTU/hr., 149 KW  
 Fuel Consumption 4.43 GPH (100% run time)  
 Fuel Capacity 250 gallons  
 Max Operating Temp 195°F

### TD300

Riello single stage  
 Diesel fuel/#1 or 2 heating oil  
 301,000 BTU/hr., 87.2 KW  
 255,850 BTU/hr., 71.5 KW  
 2.15 GPH (100% run time)  
 150 gallons  
 195°F

### Heat Transfer System

Fluid	Non-toxic propylene glycol/water mix	Non-toxic propylene glycol/water mix
Operating Pressure	35 PSI	35 PSI
Flow	965 GPH	965 GPH
Pump	1.5 HP	1.5 HP
Circulation System	5/8" dia. hose, 500' min. loop length 1000' max loop length, min. of 2 loops	5/8" dia. hose, 500' min. loop length 1000' max loop length, min. of 2 loops
Manifold System	Detachable, 8 port - 3/4" quick disconnect	Detachable, 6 port - 3/4" quick disconnect

### Hose Reel

Control	Forward/Reverse with foot switch	Forward/Reverse with foot switch
Capacity	5,000' of 5/8" dia. hose	3,000' of 5/8" dia. hose

### Power

Generator	Multiquip Model DA7000 SS 7KW Max power 6KW Continuous power 3600 RPM, 60 Hz AC Kubota 2-cylinder engine Liquid cooled Hour meter	Multiquip Model DA7000 SS 7KW Max power 6KW Continuous power 3600 RPM, 60 Hz AC Kubota 2-cylinder engine Liquid cooled Hour meter
-----------	---	---

### Trailer

Specifications	GVWR 12,000 lbs. Pintle hitch 7 Pin connector Electric brakes with break-away switch	GVWR 12,000 lbs., Pintle hitch 7 Pin connector Electric brakes with break-away switch
Total weight package	9,750 lbs. (with reel, water heater module, hoses, loaded with heat transfer fluid & fuel)	5,950 lbs. dry weight
Overall Dimensions	195"L x 94" W x 96" H	188"L x 76" W x 96" H



# VG1100

## 1,000,000 BTU

Item	Part No.	Description	Item	Part No.	Description
1	C30400-10	Cap	76	G04413	Chimney Fitting
2	G04360	Panel	77	T10805	Seal
3	G04514-9010	Panel	78	G04530	Panel
4	G04415	Panel	79	T10802	Seal
5	G04516-9010	Panel	80	E50794-2	Thermocouple
6	G04517	Panel	81	T10691	Insulating Gasket
7	G04518-9010	Panel	82	T10405	Tempered Glass
8	G04519	Panel	83	T10692	Insulating Gasket
9	G04289	Stirrup	84	G04298	Disc
10	G04520-9005	Frame	85	G01759	Turbulence-Generating Grid
11	E30482-2	Power Cord	86	E20706-02	El. Components Box
12	C30301	Cable Protection	87	E50749	Safety Thermostat
13	G04521-9005	Panel	88	E50750	Safety Thermostat Plastic Profile
14	G04568-9005	Base	89	E20688	Plug
15	G04370-9005	Panel	90	E20665	Thermostat Plug Cover
17	M20430	Toggle Switch	91	E20640	Thermostat Plug
18	M20431	Catch	92	E20301	Terminal Board
19	P20318-9005	Handle	93	G04392	Support Plate
20	C30398	Cap	94	E11033	Lamp
21	074B108	Gas Burner	95	E11030	Lamp
23	G00522	El. Control Box	96	G04531	Protective Panel
24	G04371-9005	Thermostat Control Bracket	104	G04532-9010	Fan Box
25	G04569-9010	Panel	105	T10704	Fan
26	C10209	Handle	106	M10234	Screw
27	G04563-9005	Panel	107	G04533-9005	Support Plate
28	M30001	Spring	108	M10714	Nut
29	G04403-9005	Panel	109	E10683-220	Motor
30	G04523	Panel	111	C10943-28	Sheave
31	G04405-9005	Support Bracket	112	C10947	Belt
32	G04545-9005	Panel	113	C10945-25	Sheave
33	G04378-9005	Support	114	G04534-9005	Panel
34	G04407-9005	Wheels Axle Support Bracket	115	G04513-9005	Air Adjustment Shutter
35	G04380	Wheel Axle	120	C30376	Cable Protection
36	C10562	Wheel	121	G04565-9005	Panel
37	M20111	Washer	137	T30361	Gas Manual Valve
38	M20505	Latched Pan	138	I25026	Iron Fitting
40	G04524-9005	Support Bracket	139	G04566	Stirrup
41	G04525-9005	Support Bracket	140	M20921	Stirrup
42	G04526-9005	Panel	141	I20349	Fitting
43	G04383	Spacer	142	T30125	Pressure Regulator
44	G04527-9005	Electrical Panel Box	143	I20348	Fitting
45	G04505-9005	Support Plate	144	T30123	Gas Valve Unit
46	C30316	Hole Cap	145	I20346	Fitting
47	C30389	Cable Protection	146	I20347	Fitting
48	M20432	Hinge	147	G04567	Gas Valve Support Bracket
49	G04528-9005	Panel	148	M20920	Stirrup
50	M20418	Lock	149	I39117	Flex Gas Pipe
51	G00521	El. Control Box	150	I39116	Seal
57	G04387-9005	Stirrup	151	I20118	Brass Fitting
58	E20725-03	El. Components Box	152	I20350	Fitting
59	E11033	Lamp	153	T30359-2	Gas Selector Valve
60	E10141	Switch	154	I20926-1	Fitting
61	E10455	Contactora	155	074B213	Gas Train
62	E20301	Terminal Board	156	G04586	Stirrup
63	E20319	Ground Terminal Board			
64	E20508	Fuse Holder			
65	E10307	Fuse			
66	G04388	Support Plate			
67	E20959	Cable Fastener			
68	E20960	Cable Fastener Nut			
69	E50794	Base			
70	E50794-1	Seal			
71	E20933	Cable Fastener			
72	E20956	Cable Fastener Nut			
73	E20970	Cable Fastener			
74	E20971	Cable Fastener Nut			
75	G04582	Combustion Chamber			





# VF1100

## 1,000,000 BTU

Item	Part No.	Description	Item	Part No.	Description
1	C30400-10	Cap	68	E20960	Cable Fastener Nut
2	G04360	Panel	69	E50794	Thermoregulator
3	G04535-9010	Panel	70	E50794-1	Seal
4	G04536	Panel	71	E20933	Cable Fastener
5	G04537-9010	Panel	72	E20956	Cable Fastener Nut
6	G04538	Panel	73	E20970	Cable Fastener
7	G04539-9010	Panel	74	E20971	Cable Fastener Nut
8	G04540	Panel	75	G04581	Combustion Chamber
9	G04289		76	G04413	Chimney Fitting
10	G04541-9005	Frame	77	T10805	Seal
11	E30482-2	Power Cord	78	G04555	Panel
12	C30301	Cable Protector	79	T10803	Seal
13	G04560-9005	Panel	80	E50794-2	Thermocouple
14	G04561-9005	Base	81	T10691	Insulating Gasket
15	G04370-9005	Panel	82	T10405	Tempered Glass
17	M20430	Toggle Latch	83	T10692	Insulating Gasket
18	M20431	Catch	84	G04298	Disc
19	P20319-9005	Handle	85	G01673	Turbulence-Generating Grid
20	C30398	Cap	86	E20706-02	El. Components Box
21	076B204	Oil Burner	87	E50749	Safety Thermostat
22	T20467	Nozzle	88	E50750	Safety Thermostat Plastic Profile
23	G00522	El. Control Box	89	E20688	Plug
24	G04371-9005	Thermostat Support Bracket	90	E20665	Thermostat Plug Cover
25	G04562-3001	Panel	91	E20640	Thermostat Plug
26	C10209	Handle	92	E20301	Terminal Board
27	G04373-9005	Panel	93	E11030	Support Plate
30	G04544	Panel	94	M10	Lamp
31	G04376-9005	Support Bracket	95	E11030	Lamp
32	G04546-9005	Panel	96	G04556	Protective Panel
33	G04547-9005	Support	104	G04557-9010	Fan Box
34	G04379-9005	Wheels Axle Support Bracket	105	T10707	Fan
35	G04548	Wheel Axle	106	M10234	Screw
36	C10572	Wheel	107	G04558-9005	Support Plate
37	M20111	Washer	108	M10714	Nut
38	M20505	Latched Pin	109	E10684-220	Motor
40	G04549-9005	Support Bracket	111	C10944-28	Sheave
41	G04550-9005	Support Bracket	112	C10948	Belt
42	G04551-9005	Panel	113	C10946-25	Sheave
43	G04383	Spacer	114	G04559-9005	Panel
44	G04552-9005	Electrical Support Box	115	G04513-9005	Air Adjustment Shutter
45	G04385-9005	Support Plate	116	I20337	Fitting
46	C30316	Hole Cap	117	M20123	Aluminum Washer
47	C30389	Cable Protection	118	T20239-1	Diesel Pre-Heated Filter
48	M20432	Hinge	119	T20241	Filter Seal Kit
49	G04533-9005	Panel	120	T20242	Filter Cartridge
50	M20418	Lock	121	I20104	Iron Fitting
51	G00521	El. Control Box			
57	G04387-9005	Stirrup			
58	E20725-03	El. Components Box			
59	E11033	Lamp			
60	E10141	Switch			
61	E10455	Contact			
62	E20301	Terminal Board			
63	E20319	Ground Terminal Board			
64	E20508	Fuse Holder			
65	E10308	Fuse			
66	G04388	Support Plate			
67	E20959	Cable Fastener			
68	E20960	Cable Fastener Nut			

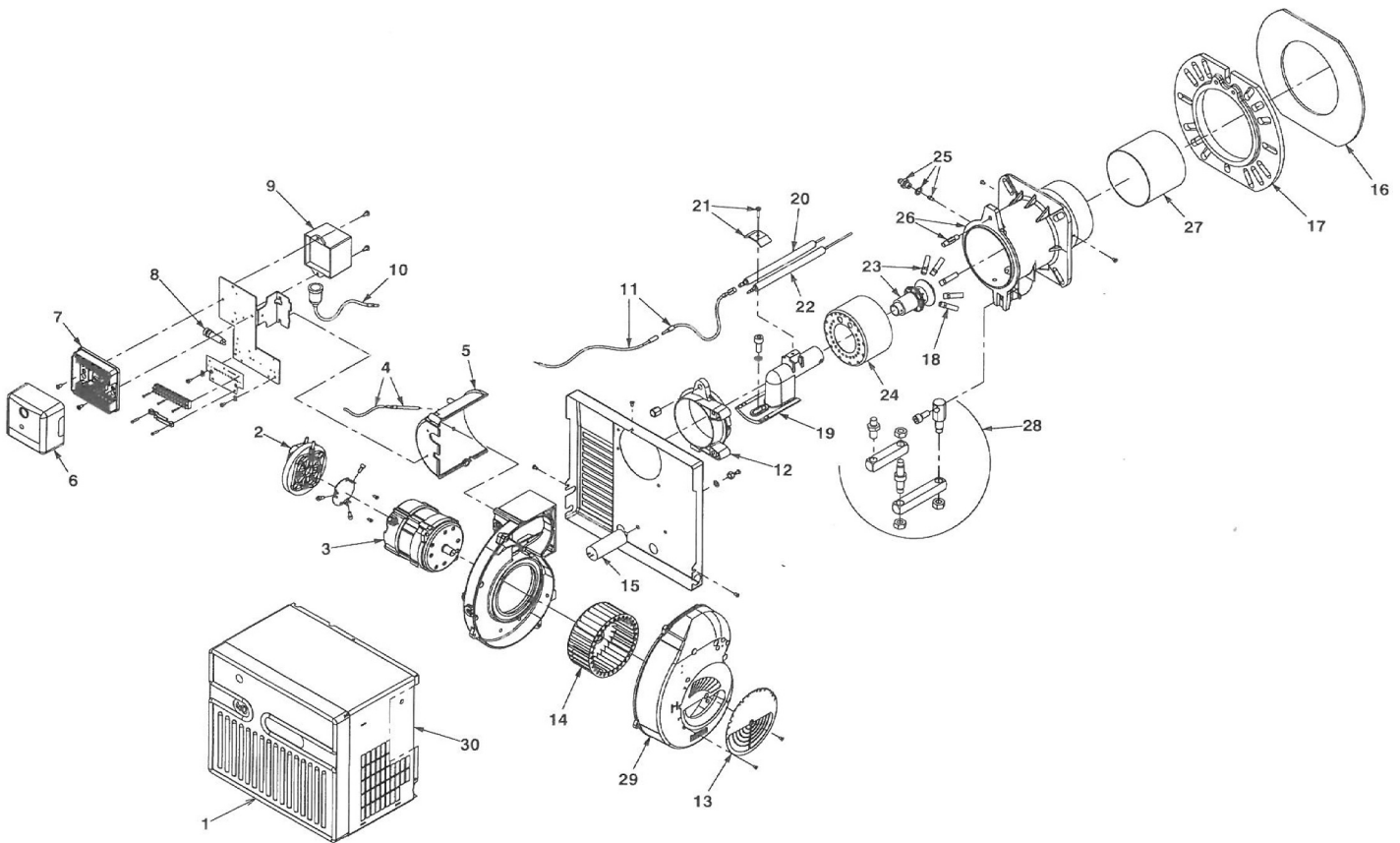
### Not Shown

02AC866	Fork Lift Pockets (set)
02AC817	Casters (set)

# VG1100

## 1,000,000 BTU

### Riello Burner

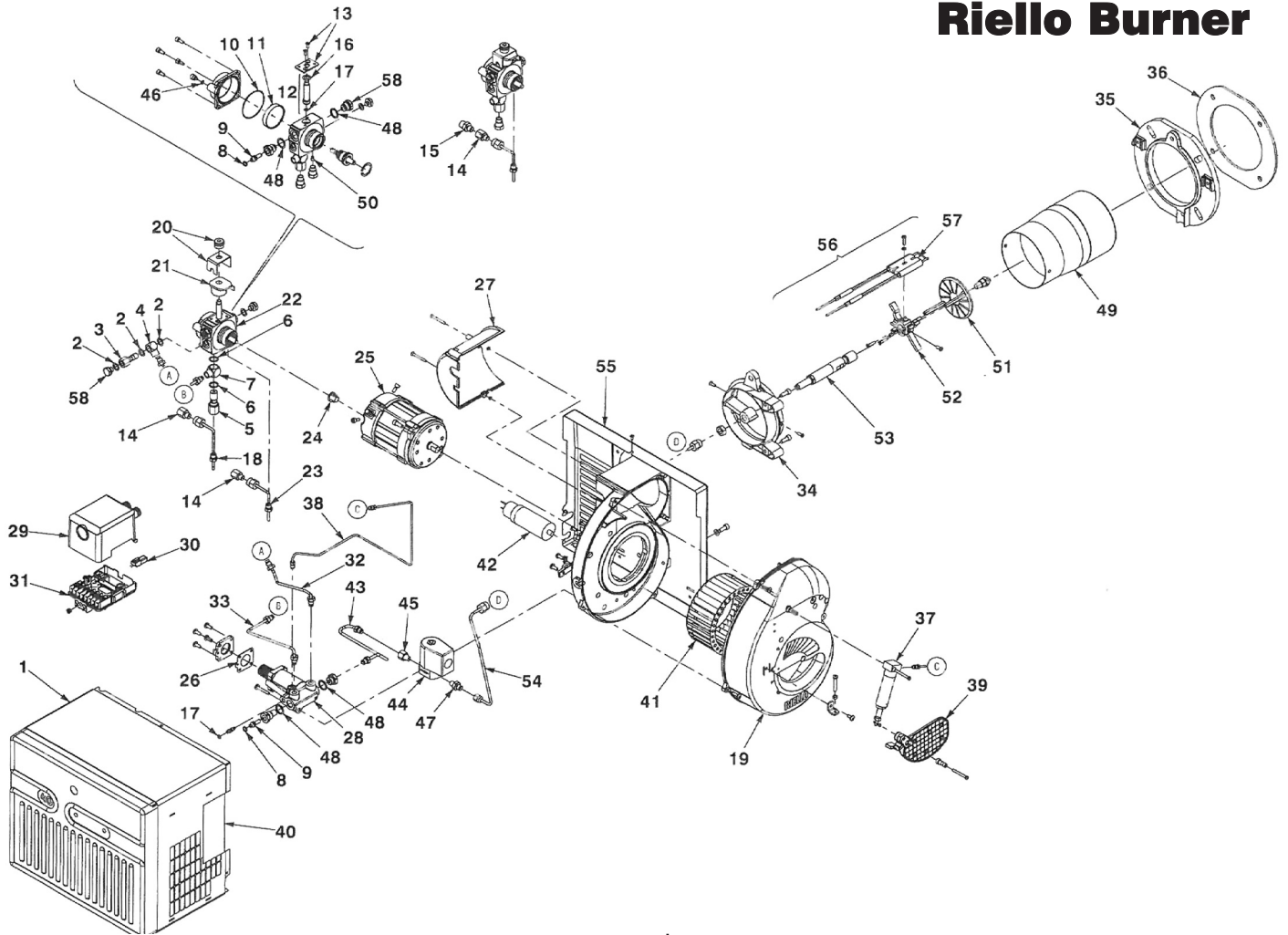


Item	Part No.	Description
1	3007246	Burner Back Cover
2	3020314	Air Pressure Switch
3	20091753	Burner Motor
4	3007288	Air Switch Tube and Connector
5	3007294	Air Plate Cover
6	3013072	Primary Control Box
7	3003784	Primary Control Sub-Base
8	3006804	Fuse 6.25A
9	3002462	Transformer - Ignition
10	3002461	High Voltage Lead
11	3007310	Ionization Lead
12	3006689	Chassis Mounting Collar
13	3007206	Air Gate
14	3005799	Fan
15	20087033	Capacitor 20uF
16	3005852	Mounting Gasket
17	3005851	Universal Mounting Flange
18	20035544	Gas Pipe
19	3006697	Drawer Assembly Elbow
20	20130046	Electrode Assembly
21	3003409	Electrode & Ionization Clamp
22	20130047	Ionization Assembly
23	3006703	Natural Gas Diaphragm
24	3008501	Distributor Head and Mixing Plate
25	3005447	Gas Test Point
26	20130045	Manifold
27	3006694	End Cone
28	3000870	Hinge Assembly
29	3007210	Burner Air Setting
30	3007358	Sound Damping

# VF1100

## 1,000,000 BTU

### Riello Burner

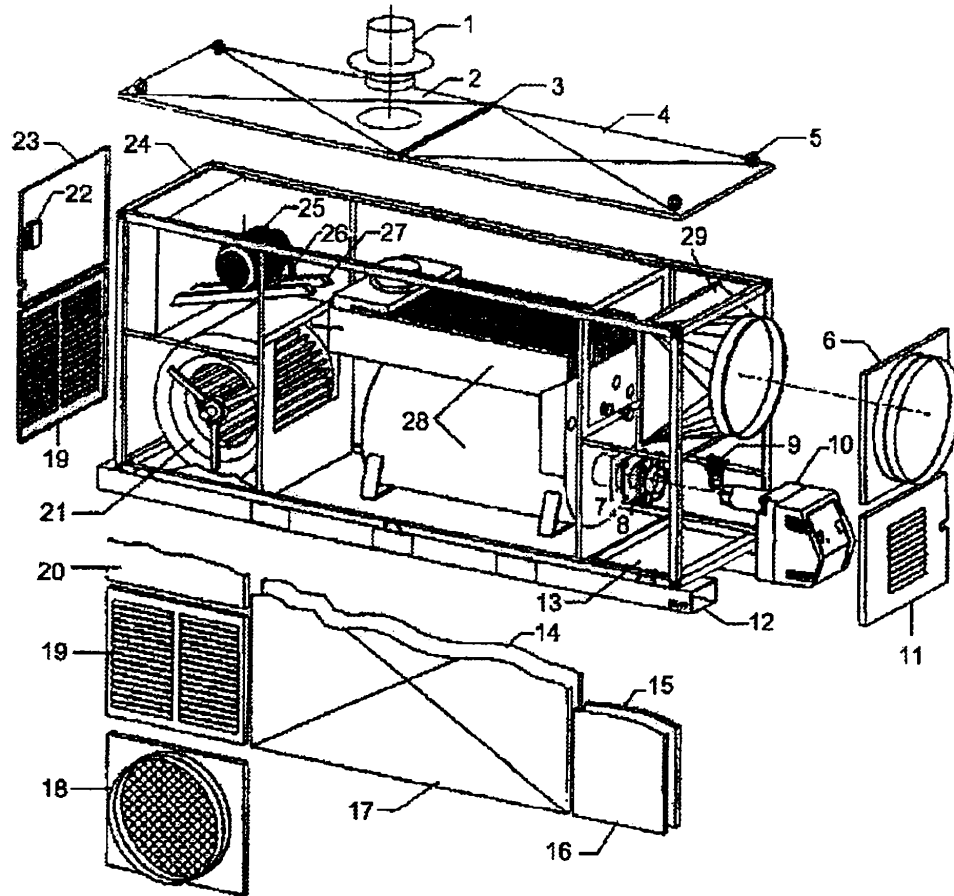


Item	Part No.	Description
1	3007235	Burner Back Cover
2	3007077	Crushable Metal Washer
3	3005771	Banjo Core Adapter - Pressure Port
4	3005803	Banjo Fitting - Pressure Port
5	3005804	Banjo Core Adapter - Return Line
6	20122674	Crushable Metal Washer
7	3005805	Banjo Fitting - Return
8	3007028	O-Ring - Pump Pressure Regulator
9	20032135	Regulator Screw
10	3007162	O-Ring - Pump Cover
11	3005719	Pump Screen
12	3006925	Valve Stem
13	3007203	Valve Stem Plate
14	3005847	1/4" NPT / Metric Adapter - Female
15	3006571	3/8" NPT / Metric Adapter - Male
16	3007029	O-Ring - Valve Stem Upper
17	3007156	O-Ring - Valve Stem Lower
18	3006995	Pipe Connection - Return
19	3007966	Air Intake
20	3006553	Coil U-Bracket and Knurled Nut
21	3002279	Coil
22	3007806	Pump
23	3006994	Pipe Connector - Supply
24	3000443	Pump Drive Key
25	20091753	Motor
26	3005801	Seal
27	20025347	Air Tube Cover
28	3006500	Delaying Device
29	3002858	Control Box
30	3002280	Photoreistor

Item	Part No.	Description
31	20067689	Terminal Board
32	20129814	Oil Pressure Tube
33	20129818	Oil Return Tube
34	3005810	Collar
35	3005814	Universal Mounting Flange
36	3005813	Mounting Gasket
37	3006499	Hydraulic Jack
38	3008050	Tube
39	3000645	Hydraulic Air Shutter
40	3007358	Acoustic Liner
41	3005799	Fan
42	20087024	Capacitor
43	3020313	Oil Line
44	3020299	Solenoid Valve
45	3020304	Connector
46	20096148	O-Ring
47	3020303	Connector
48	3007087	Seal
49	20129819	Flame Funnel
50	20029299	By-Pass Screw
51	3005897	Turbulator Disc
52	3005896	Cross - Casting
53	20129820	Nozzle Holder
54	20129822	Nozzle Oil Tube
55	3007224	Front Shield
56	3005902	Electrode Assembly
57	3005869	Insulator
58	3013603	Plug and Seal

# VG1000

## 1,000,000 BTU

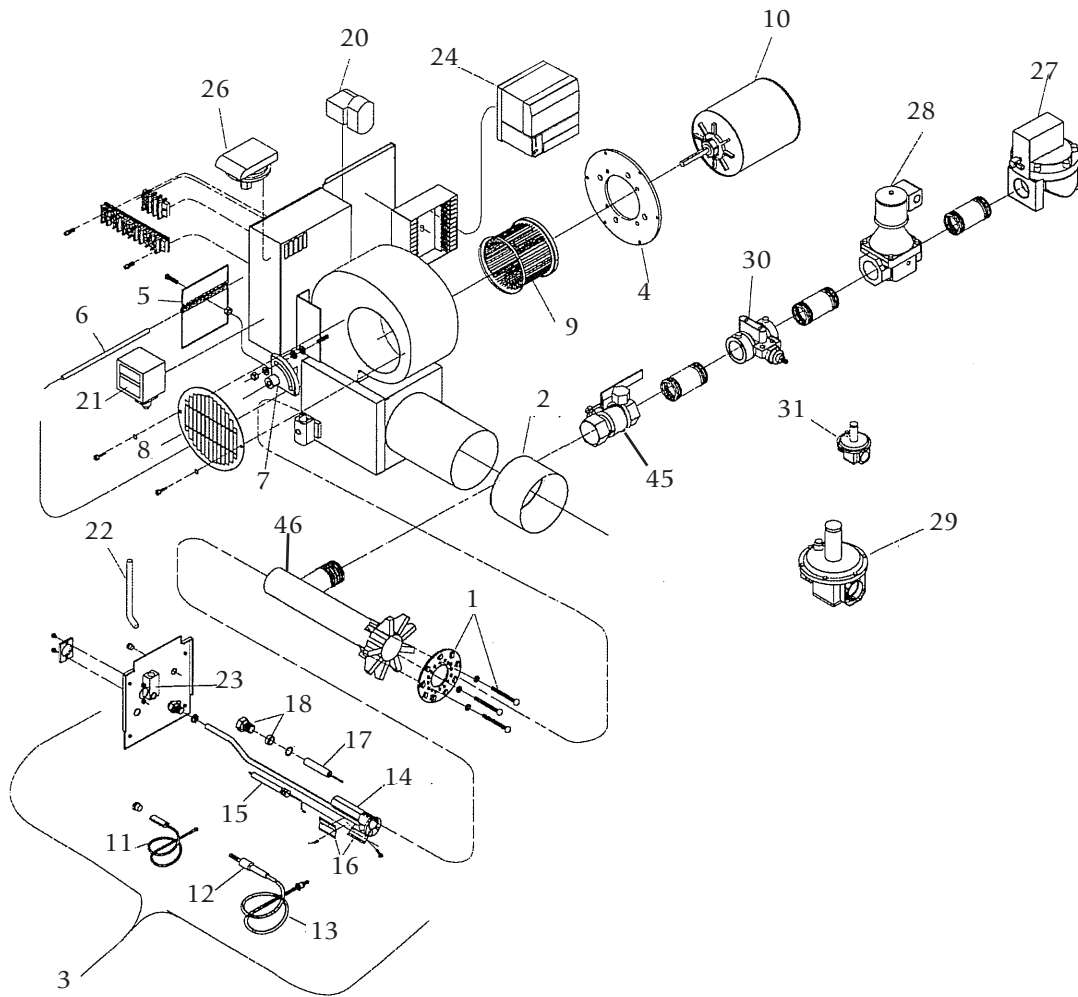


Item	Part No.	Description
1	HWP 214401	Flue Gas Adapter
2	HWP 214402	Cover Plate, Rear
3	HWP 214403	Connecting Profile
4	HWP 214404	Cover Plate, Front
5	HWP 214405	Crane Eye (4)
6	HWP 214406	Air Outlet Adapter
7	HWP 20529	Flange Seal for VF1000 only
8	HWP 20471	Oil Burner Flange
9	HWP 110121	Fuel Filter
10	HWP 110008	Oil Burner
	HWP 110008B	Gas Burner
11	HWP 214411	Burner Compartment Door(Wayne)
12	HWP 214412	Base
13	HWP 214413	Oil Collector
14	HWP 214414	Insulation, Center (left/right)
15	HWP 214415	Insulation, Burner End (left/right)
16	HWP 214416	Side Panel, Burner End (2, with louvres)
17	HWP 214417	Side Panel, Center (left/right)
18	HWP 214418	Air Inlet Adapter (1, left/right/right options)
19	HWP 214419	Louvre Panel, Fan End (2, left/right/right options)
20	HWP 214420	Upper Side Panel, Fan End (2)
21	HWP 214421	Radial Fan
22	HWP 214422	Door Belt

Item	Part No.	Description
23	HWP 214423	Control Compartment Door
24	HWP 214424	Main Control Box
25	HWP SM6162	Fan Motor
26	HWP A68	V-Belt (2 Required)
27	HWP 214427	Guide Rail (2 Required)
28	HWP 214428	Combustion Chamber & Heat Exchanger
29	HWP 214429	Air Outlet Cone
Not Shown		
	HWP 214430	Top Radiation Shield
	HWP 214432	Revision Cover
	HWP 86250F	Gasket for Revision Cover
	HWP 214434	Flue Gas Suppressors
	HWP 214435	Drive Pulley, Fan
	HWP 214500	Centrifical Clutch/Motor Sheave Kit
	HWP 214501	11-3/8" Fan Sheave
	HWP 214502	Sheave Bushing Fan
	HWP 3070	Heat Wagon Logo Decal
	HWP 214490	Smoke Flue w/Raincap
	HWP 842920	Cover for Honeywell Flame Safeguard Control
	HWP 86250F	Fiberglass Gasket Material (7.5')
	HWP 63817001	VG1000 Wayne Burner Gasket
	HWP 20582	Fan & Burner Sensor
	HWP 65900	Compression fitting for Temperature Sensor

# Midco Burner

# VG1000 1,000,000 BTU



Item	Part No.	Description
1	HWP 6712-05	Flame retention plate with mounting
2	HWP 6736-00	Adj. alloy sleeve
3	HWP 6755-10	Drawer assembly with pilot and vent tube
4	HWP 3197-50	Motor mounting plate
5	HWP 3246-08	Air shutter
6	HWP 6734-00	Air shutter shaft
7	HWP 3152-01	Quadrant - for air shutter adjustment
8	HWP 6724-10	Blower inlet screen
9	HWP 3627-50	G58 & G69-7" diameter x 3-1/2" wide
10	HWP 8437-15	G58-1/2 HP 115/230/1/60
11	HWP 6717-90	Flamerod wire replacement kit
12	HWP 8409-10	Silicone boot
13	HWP 8502-05	Spark cable
14	HWP 6725-90	Pilot with flamerod and spark rod
15	HWP 671700	Flamerod and insulator assembly
16	HWP 6720-90	Mounting clamp for flamerod assembly
17	HWP 672550	Spark rod and insulator assembly
18	HWP 676400	Spark rod retainer assembly w/O-ring seal
19	HWP 8432-07	Spark rod retainer O-ring
20	HWP 8402-00	Gas safety shut-off valve - 1/8" NPT
21	HWP 8447-22	Ignition trans 120/1/60
22	HWP 6729-91	Pilot air tube blower housing

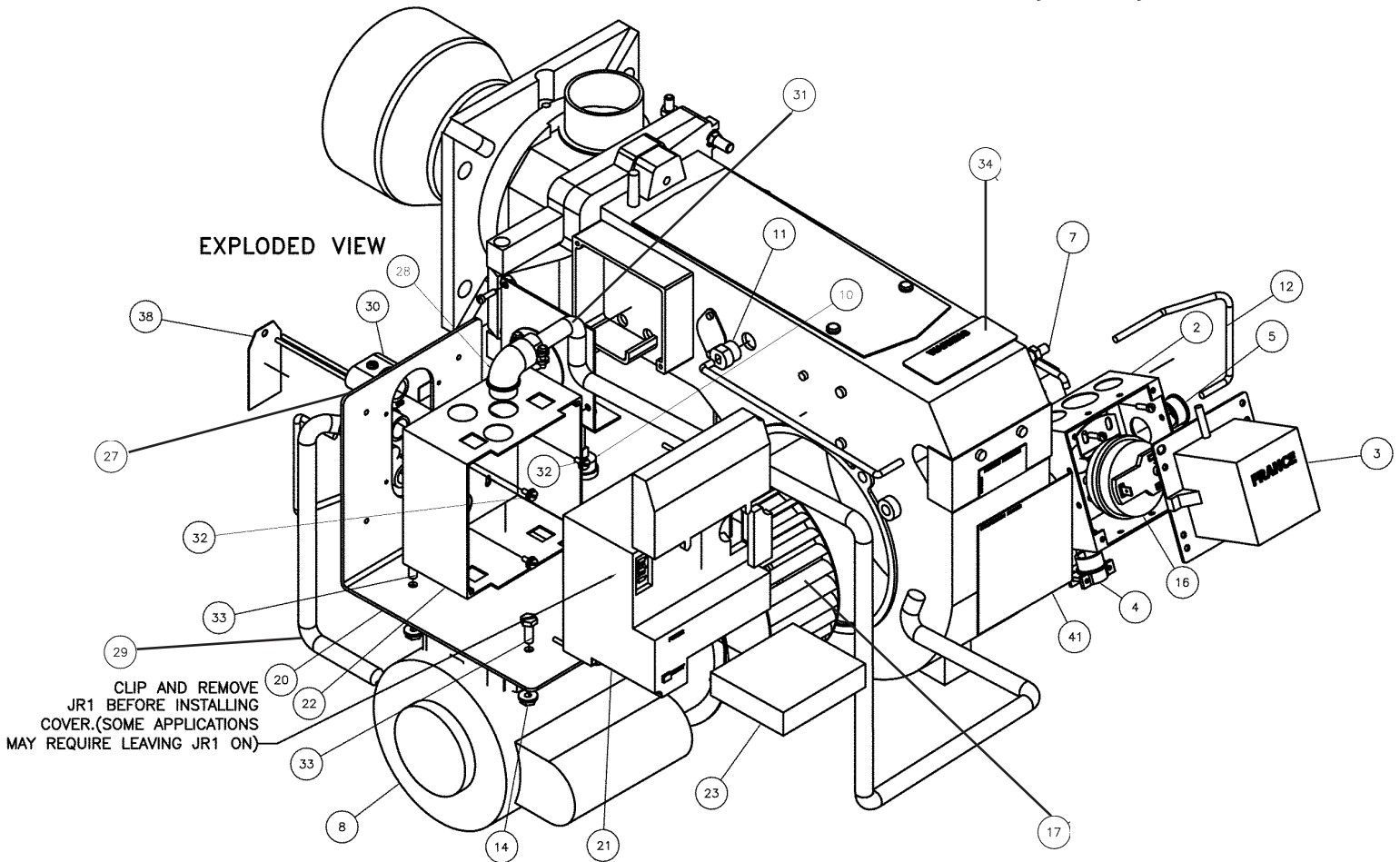
Item	Part No.	Description
23	HWP 6772-08	Nat. G58 gas #55 Dr. (.052), air #26 Dr. (.147)
	HWP 6772-09	Prop G58 gas #56 Dr. (.046), air #26 Dr. (.147)
24	HWP 842919	RM7895A Controller
26	HWP 8425-19	Blower air switch
27	HWP 841821	1" diaphragm valve
28	HWP 8418-03	1-1/4" safety valve
29	HWP 8416-02	RV61 1-1/4" Maxitrol gas pressure regulator
30	HWP 2933-50	On/off butterfly valve
31	HWP 8400-10	Pilot pressure regulator
45	HWP 8404-24	Shut-off Valve
46	HWP 6735-00	Main Gas Manifold

Not Shown

HWP HV1169	Gauge 15" W.C. Low Pressure (2)
HWP 5616-90	Strain relief bushing for spark cable
HWP 74689	Honeywell Timing Card
HWP 842927	Honeywell Amplifier
HWP 63771-001	Honeywell Base
HWP 842920	Honeywell Plastic Cover

# Wayne Burner

# VG1000 1,000,000 BTU

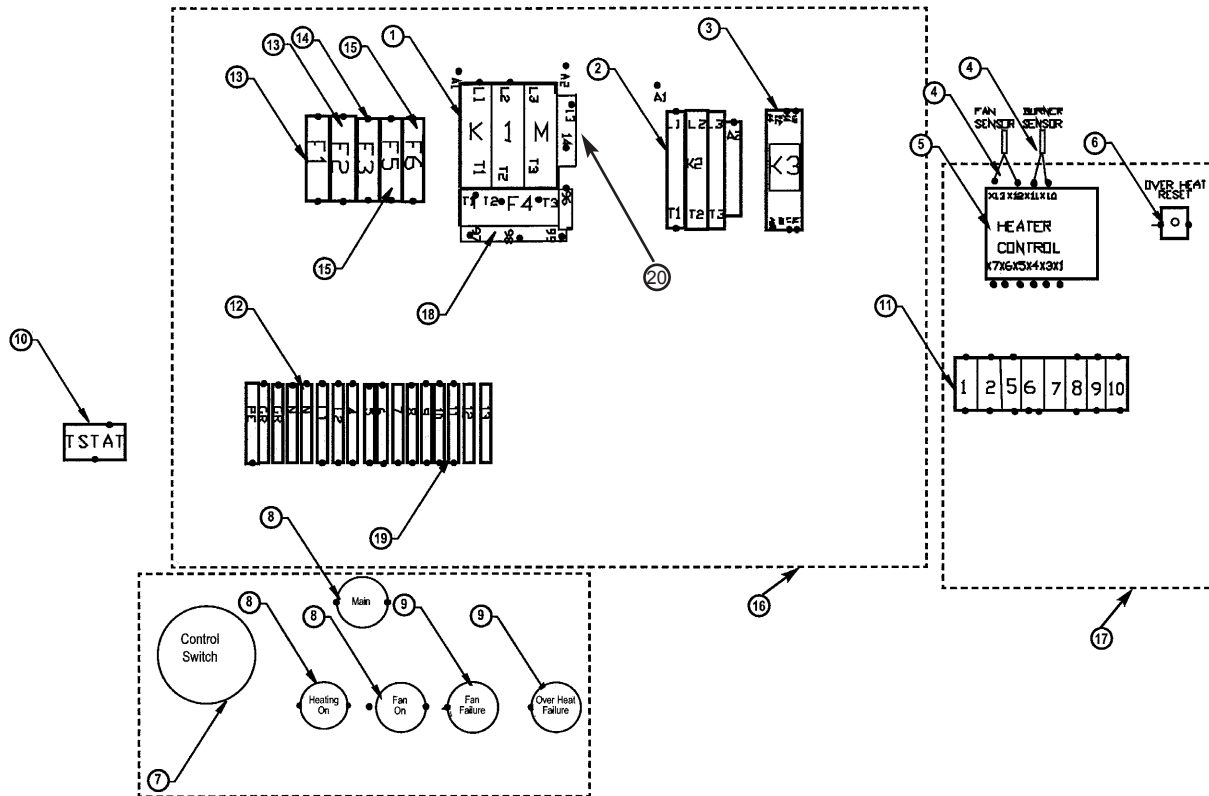


Item	Part No.	Description
1	HWP 63587-001	Housing LC1000 Base Burner
2	HWP 20370-004	Box, Junction Deep Mach
3	HWP 62407001	Igniter, Transformer 120V
4	HWP 13801	Fitting, Conduit 3/8
5	HWP 13034	Bushing, Snap
6	HWP 63747-001	Fitting, Adapter
7	HWP 550052	Fitting, Hose
8	HWP 63599-001	Motor, 1/2HP 120V
9	HWP 63593-001	Plate, Sense Bushing
10	HWP 62389-002	Bushing, Terminal
11	HWP 13026	Bushing, Strain Relief
12	HWP 100985-003	Tube, Clear Vinyl 1/4 x 9.5
13	HWP 62909004	Wire, Ignition
14	HWP 100408-002	Nut, Lock 1/4 - 20 HXSR
15	HWP HC1006	Wire, Sense Electrode (not shown)
16	HWP 63263-005	Switch, Air Sensing
17	HWP 63800001	Blower Wheel
20	HWP 63769-001	Bracket, Control Mounting "L"
21	HWP 842919	Primary Control
22	HWP 63771-001	Wiring Subbase
23	HWP 842927	Amplifier, Flame
24	HWP 74689	Timer, Purge
25	HWP 63497-003	Wire, Control Sense

Item	Part No.	Description
26	HWP 31954-001	Strain Relief, Low Profile
27	HWP 13801-002	Fitting, Conduit
28	HWP 15323	Connector, Conduit
29	HWP 100196-019	Conduit, Flex 3/8" x 12
30	HWP 14429	Connector, Conduit Duplex
31	HWP 100196-016	Conduit, Flex 3/8" x 19.50
32	HWP 15731	Screw, 6-32 Hexst
33	HWP 18001	Screw, 1/4-20 x .75
Not Shown		
	HWP HV1169	Gauge 15" W.C. Low Pressure (2)
	HWP 63804	Electrode
	HWP 63805	Flame Sensor
	HWP 63262004	Regulator, Gas Pressure (Maxitrol)
	HWP 63513001A	Switch, Gas Pressure Low
	HWP 63513002A	Switch, Gas Pressure High
	HWP 63756-001	Valve, Manual Ball 1-1/4"
	HWP 63759001	Valve, Gas Safety Sutoff 1-1/4"
	HWP 64248001	Hinge Assembly
	HWP 63803001	O Ring Burner Hinge
	HWP 63811001	Nozzle Assembly
	HWP 63805	Sense Electrode
	HWP 63804	Ignition Electrode

# Control Box Parts

# VG1000 1,000,000 BTU

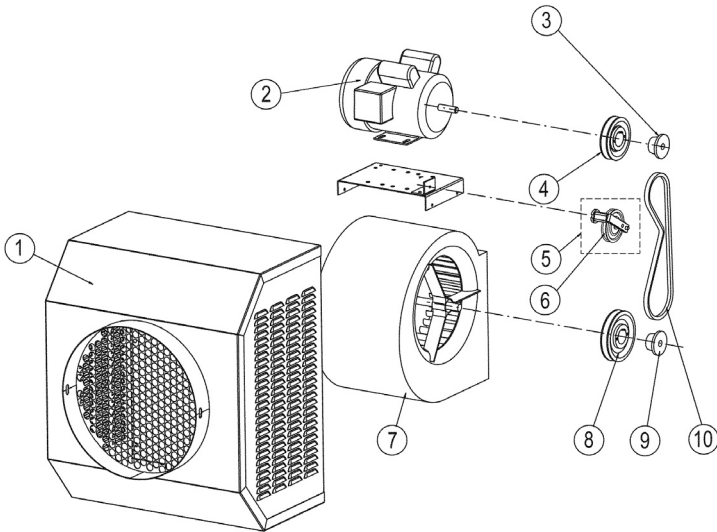


Item	Part No.	Description
1	HWP 23000	Motor Contactor (K1M)
2	HWP 22700	Burner Contactor (K2)
3	HWP 25700	Control Relay (K3)
4	HWP 20581	Fan and Burner Sensor
5	HWP 20579	Heater Control Unit
6	HWP 21400	Over Heat Reset
7	HWP 120021	Control Switch
8	HWP 44120	Light Green
9	HWP 44110	Light Red
10	HWP 2453	Thermostat
11	HWP 180023	Terminal Block (Heater Control)
12	HWP 36609	Terminal Block (Control Box) 6mm
13	HWP 38107	Circuit Breaker 32 Amp (F1 - F2)
14	HWP 38105	Circuit Breaker 20 Amp (F3)
15	HWP 38090	Circuit Breaker 6 Amp (F5-F6)
16	HWP 40500	Main Control Box (Box Only)
17	HWP 210080	Thermostat Box (Box Only)
18	HWP 38209	Thermal Relay (F4)
19	HWP 36610	Terminal Block (Control Box 4mm)
20	HWP 22211	Aux Contact

# IX405

## 400,000 BTU

### Main Blower



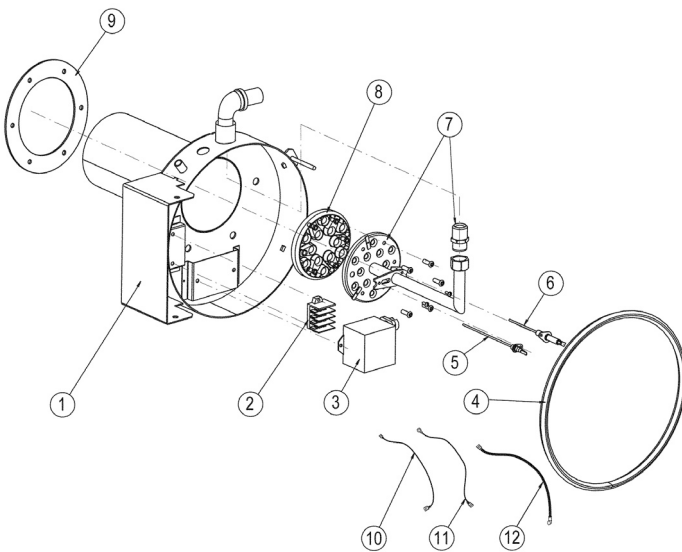
Item	Part No.	Description
1	SFP IX5526	BLOWER SHROUD WELDMENT
2	SFP 1460	MOTOR 1 HP
3	SFP 6133	MOTOR BUSHING SPLIT TAPER
4	SFP 7747	MOTOR SHEAVE
5	SFP IX5782	BELT TENSIONER ASSEMBLY
6	SFP IX5784	TENSIONER PULLEY ASSEMBLY
7	SFP IX5718	BLOWER ASSEMBLY
8	SFP 1183	BLOWER SHEAVE
9	SFP 7750	BUSHING SPLIT TAPER
10	SFP 1166	BELT

### Main Body

Not Shown

SFP 1269	16" WHEEL
SFP IX5751	FAN LIMIT SWITCH
SFP 1199	OUTPUT LIMIT SWITCH
SFP 1199	EXHAUST LIMIT SWITCH
SFP 1199	EXCHANGER LIMIT SWITCH

### Burner



Item	Part No.	Description
1	SFP IX3533	BURNER HOUSING
2	SFP 9823	TERMINAL BLOCK
3	SFP 8676	IGNITION TRANSFORMER
4	SFP 7724	FLEXIBLE SEAL
5	SFP 1305	FLAME ROD
6	SFP 1306	IGNITER
7	SFP IX3732	BURNER PIPE ASSEMBLY
8	SFP 3157	BURNER HEAD
9	SFP IX3198	BURNER GASKET
10	SFP WR9RDE26	FLAME ROD WIRE
11	SFP WR9GER30	BURNER GROUND WIRE
12	SFP WRIBEX22	IGNITION WIRE

Not Shown

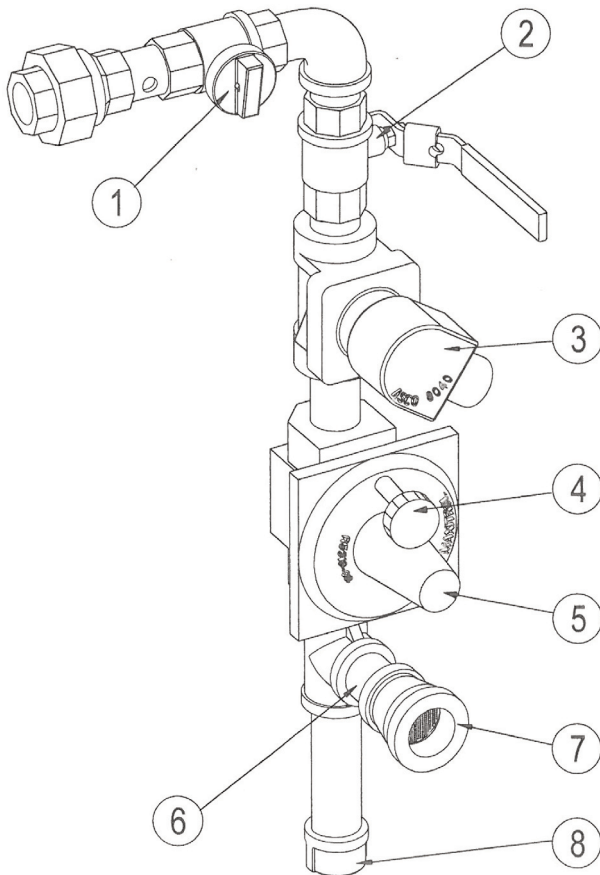
SFP 1276	BURNER MOTOR
SFP 1274	IMPELLER



# IX405

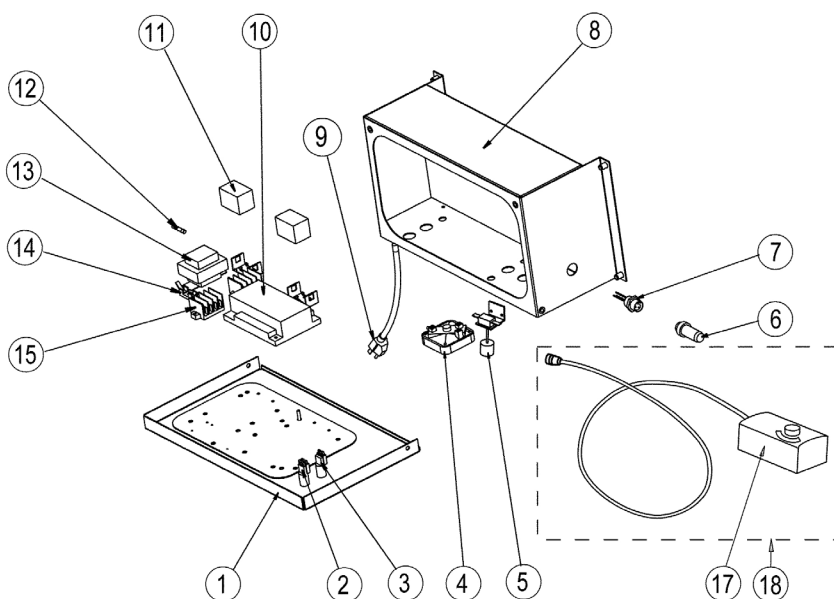
## 400,000 BTU

### Valve Train



Item	Part No.	Description
1	SFP 2538	3/4" MANUAL VALVE
2	SFP IX-3748	GAS SELECTOR VALVE
3	SFP 4514	3/4" SOLENOID VALVE 24V
4	SFP 9301	VENT PROTECTOR
5	SFP 2524	3/4" REGULATOR
6	SFP 2589	3/4" X 2" NIPPLE
7	SFP 40SV01	STRAINER
8	SFP 10288	3/4" DRIP LINE CAP

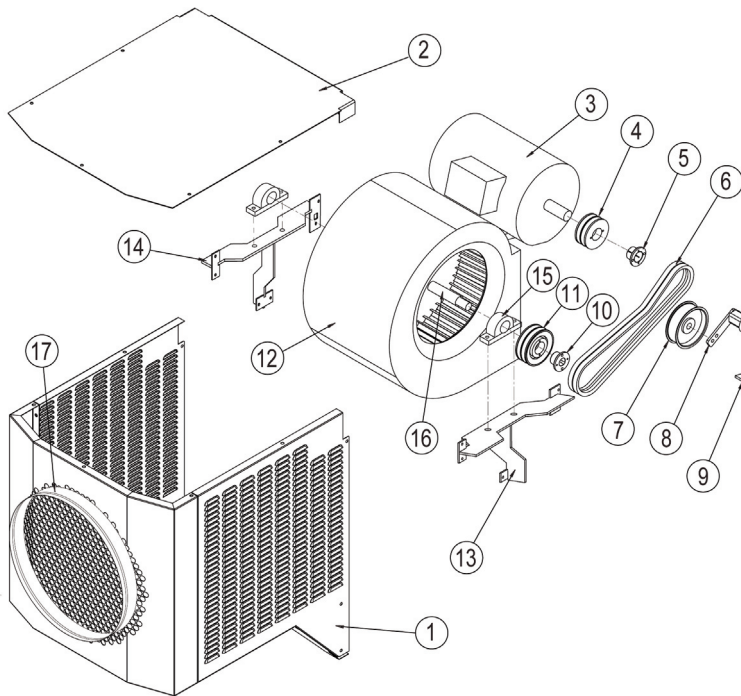
### Electrical



Item	Part No.	Description
1	SFP IX-5152	CONTROL BOX LID
2	SFP 9879	START PUSHBUTTON
3	SFP 9880	STOP PUSHBUTTON
4	SFP IX-5734	IX410 ADJUSTED AIR SWITCH
5	SFP 4565	PENDULUM SWITCH
6	SFP SE-4716	THERMOSTAT JUMPER PLUG
7	SFP WRS-172	THERMOSTAT RECEPTACLE
8	SFP IX-5524	ELECTRIC BOX
9	SFP WRS-165	POWER CORD
10	SFP 1308	IGNITION CONTROLLER
11	SFP 9872	RELAY, 24 VAC
12	SFP 9884	FUSE, 2A
13	SFP 4510	TRANSFORMER
14	SFP 9883	FUSE HOLDER
15	SFP 9823	TERMINAL BLOCK
16	SFP 7723	DOOR SEAL (NOT SHOWN)
17	SFP 2453	THERMOSTAT
18	SFP SE-4715	THERMOSTAT ASSEMBLY

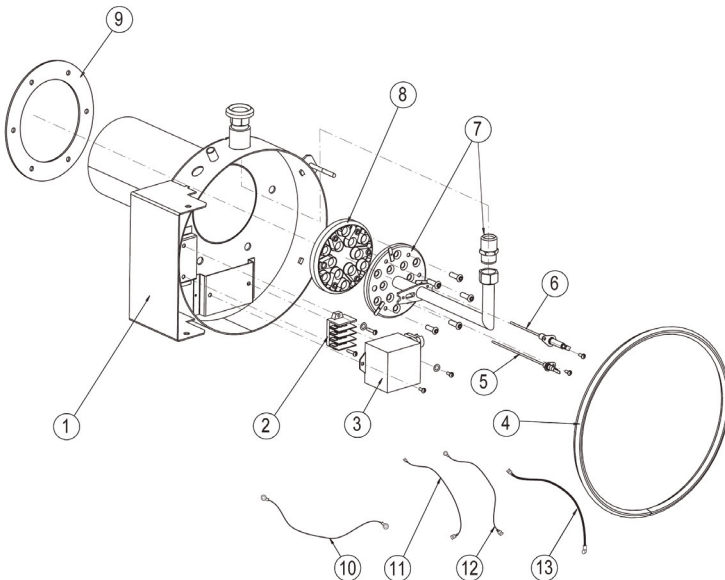
# IX800

## 800,000 BTU



### Main Blower

Item	Part No.	Description
1	SFP IX-5794	BLOWER SHROUD
2	SFP IX-5259	SHROUD TOP COVER
3	SFP 9552	MOTOR 7.5 HP
4	SFP 1044	MOTOR SHEAVE
5	SFP 9432	BUSHING SPLIT TAPER
6	SFP 1042	BELT
7	SFP 1099	BELT TENSIONER
8	SFP IX-5831	IDLER ROLLER
9	SFP IX-5400	BELT TENSIONER BRACKET
10	SFP 3500	SPLIT TAPER BUSHING
11	SFP 1043	BLOWER SHEAVE
12	SFP 1046	BLOWER
13	SFP IX-5593L	LEFT BEARING BRACKET
14	SFP IX-5593R	RIGHT BEARING BRACKET
15	SFP 3501	BEARING
16	SFP IX-5494	BLOWER SHAFT
17	SFP IX-5447	20" INLET RING

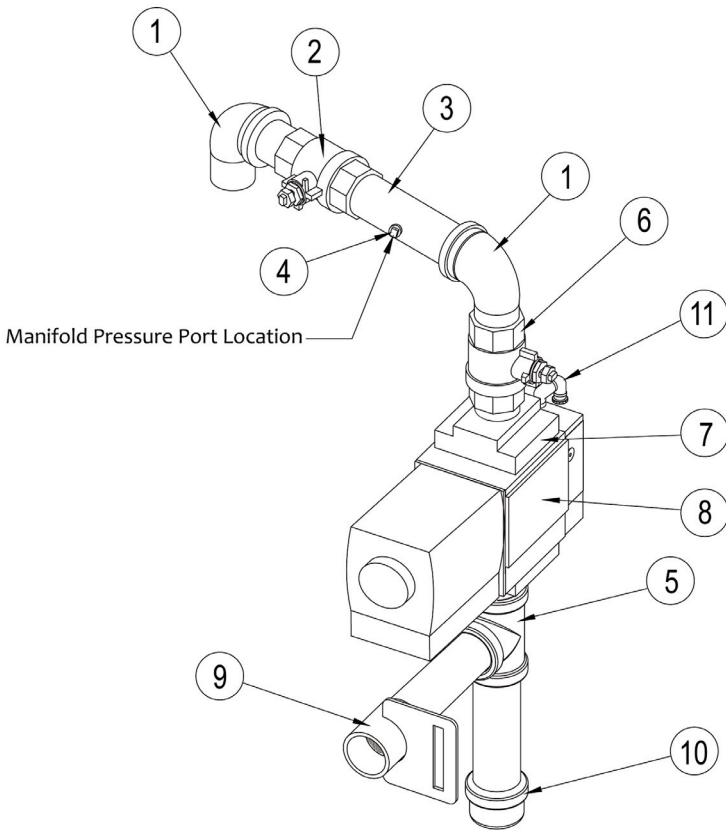


### Burner

Item	Part No.	Description
1	SFP IX-3561	BURNER HOUSING
2	SFP 9823	TERMINAL BLOCK
3	SFP 8676	IGNITION TRANSFORMER
4	SFP 7724	FLEXIBLE SEAL
5	SFP 1305	FLAME ROD
6	SFP 1306	IGNITER
7	SFP IX-3751	BURNER PIPE ASSEMBLY
8	SFP IX-3157	BURNER HEAD
9	SFP IX-3198	BURNER GASKET
10	SFP WR8GRR-33	GROUND WIRE
11	SFP WR9RDE-26	FLAME ROD WIRE
12	SFP WR9GER-30	BURNER GROUND WIRE
13	SFP WRIBEX-22	IGNITION WIRE

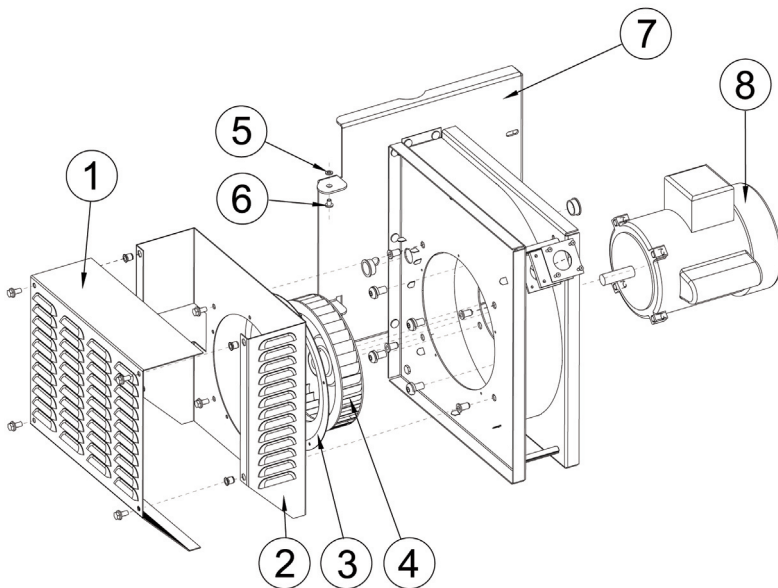
# IX800

## 800,000 BTU



### Valve Train

Item	Part No.	Description
1	SFP 6124	90° ELBOW
2	SFP 6123	BALL VALVE
3	SFP IX-3361	TEST NIPPLE PIPE
4	SFP 2633	PLUG
5	SFP 3942	TEE
6	SFP IX-3750	IX800 CHANGEOVER VALVE
7	SFP 4108F	FLANGE
8	SFP 4109	COMBINATION VALVE
9	SFP IX-3749	STRAINER ASSEMBLY
10	SFP 3935	CUP
11	SFP 0995	NYLON ELBOW

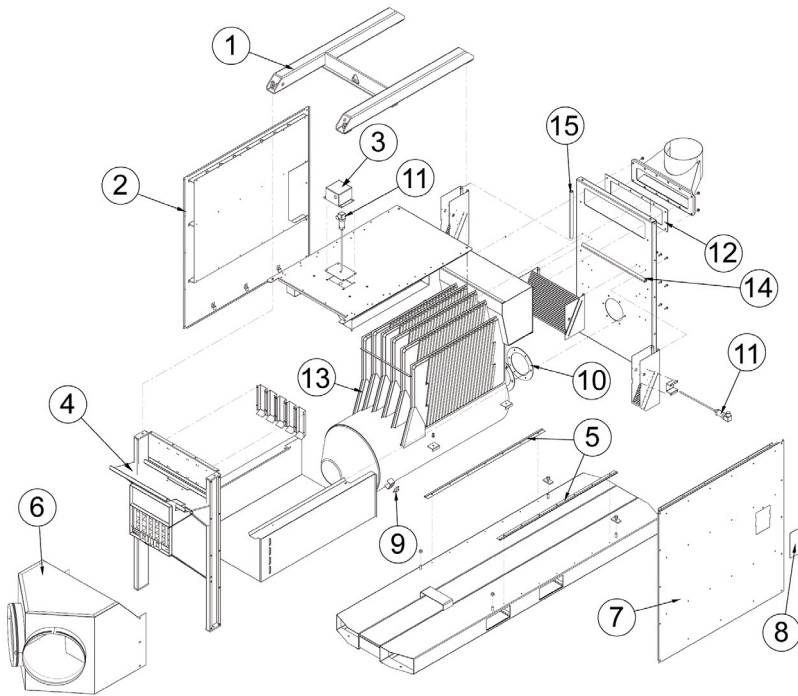


### Burner Blower

Item	Part No.	Description
1	SFP IX-3324	RAIN HOOD
2	SFP IX-3323	RAIN HOOD BRACKET
3	SFP 4045	INLET CONE
4	SFP 4046	IMPELLER
5	SFP 3821	NYLON FLAT WASHER
6	SFP 3837	NYLON BUSHING
7	SFP IX-3565	BURNER BLOWER WELDMENT
8	SFP 4047	1/2 HP MOTOR 230V

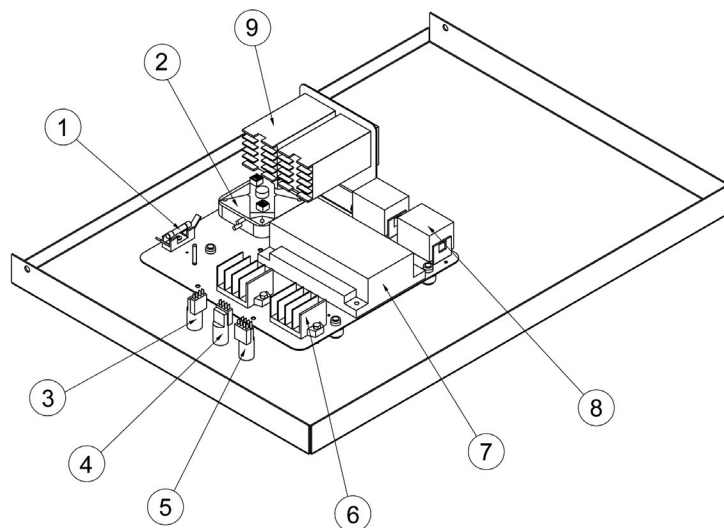
# IX800

## 800,000 BTU



### Main Body

Item	Part No.	Description
1	SFP IX-5581	LIFTING YOKE
2	SFP IX-5787R	RH PANEL ASSEMBLY
3	SFP IX-6189	TOP RTD COVER
4	SFP IX-5577	MOTOR FRAME
5	SFP IX-5902	S LOCK
6	SFP IX-5587	2 X 16" DUCT ADAPTER
7	SFP IX-5787L	LH PANEL ASSEMBLY
8	SFP IX-5594	SIDE LIMIT SWITCH COVER
9	SFP 4133	OUTPUT LIMIT SWITCH
10	SFP IX-3198	BURNER GASKET
11	SFP 11230	RTD 250 MM
12	SFP IX-4258	EXHAUST GASKET
13	SFP IX-4593	CC & EXCHANGER WELDMENT
14	SFP IX-6183	EXHAUST SEAL LONG
15	SFP IX-6184	EXHAUST SEAL SHORT

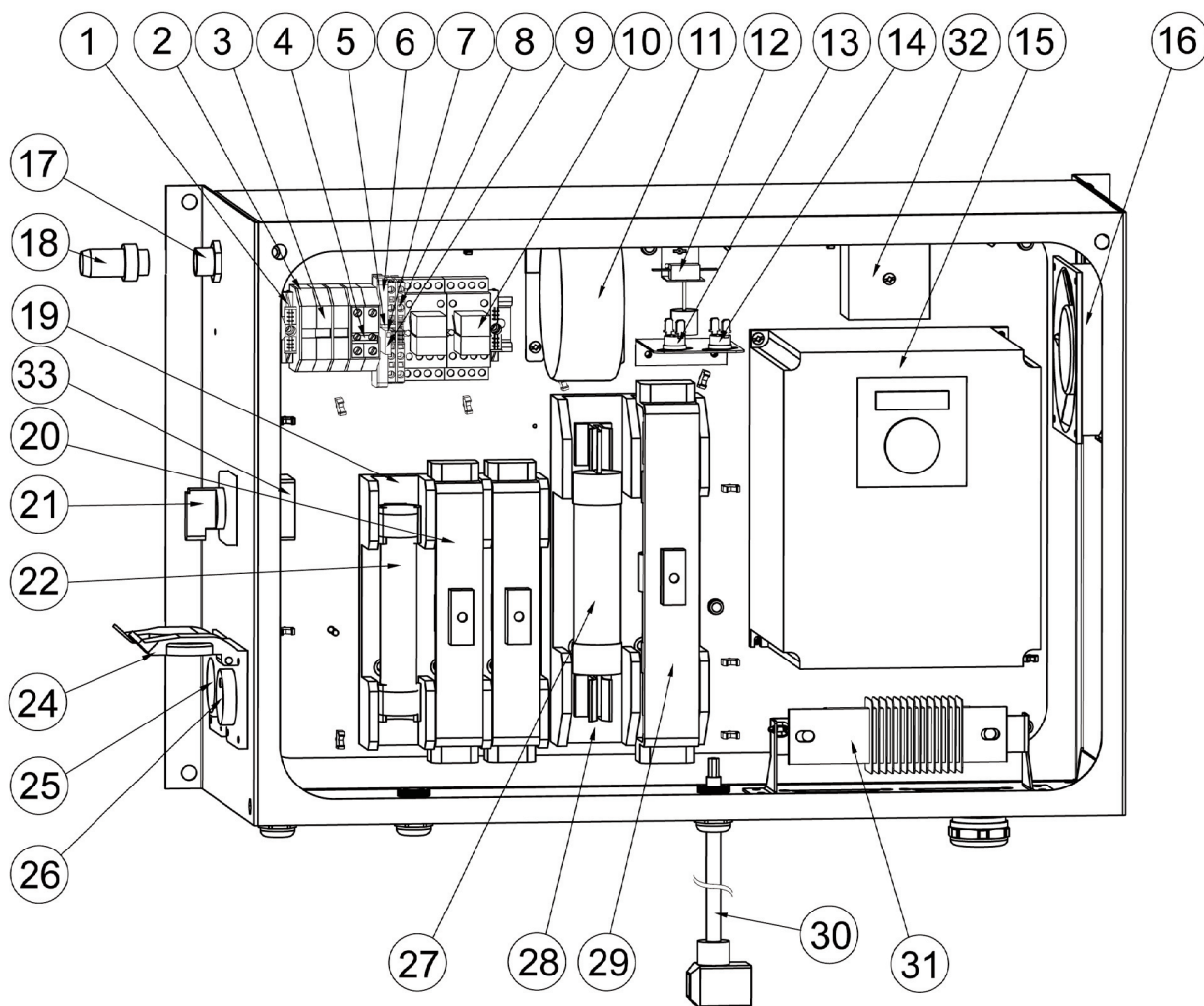


### Electrical (Low Voltage)

Item	Part No.	Description
1	SFP 8024	FUSE T5A
2	SFP IX-5709	AIR SWITCH
3	SFP 4073	LIGHT INDICATOR
4	SFP 9880	STOP SWITCH
5	SFP 9879	START SWITCH
6	SFP 9823	DISTRIBUTOR STRIP
7	SFP 1308	IGNITION CONTROLLER
8	SFP 9872	RELAY 24V
9	SFP IX-5838	RTD CONTROLLER

# IX800

## 800,000 BTU



### Electrical (High Voltage)

Item	Part No.	Description	Item	Part No.	Description
1	SFP 8651	END BRACKET	18	SFP SE-4716	THERMOSTAT JUMPER PLUG
2	SFP 9440	TERMINAL BLOCK	19	SFP 4060	FUSE BLOCK, 40A
3	SFP 9447	COVER & WARNING SYMBOL	20	SFP 4055	PROTECTIVE COVER 40A
4	SFP 9445	JUMPER	21	SFP 0774	POWER SELECTOR SWITCH KNOB
5	SFP 4523	JUMPER 5 MM	22	SFP 4056	FUSE 40A
6	SFP 4527	TERMINAL BLOCK - FUSE	24	SFP 4051	RECEPTACLE COVER 3 PH
7	SFP 3479	FUSE T3.5A	25	SFP 3261	RECEPTACLE 1PH (W/COVER)
8	SFP 4669	TERMINAL BLOCK 4-POLE	26	SFP 4052	RECEPTACLE 3PH
9	SFP 9271	FUSE HOLDER	27	SFP 4058	FUSE 70A
10	SFP 4050	RELAY 230V	28	SFP 4061	FUSE BLOCK 70A
11	SFP 4067	TRANSFORMER ASSEMBLY	29	SFP 4057	PROTECTIVE COVER 70A
12	SFP 4565	PENDULUM SWITCH	30	SFP WRS-186	GAS SOLENOID CABLE
13	SFP 1039	PREHEAT THERMOSTAT 35°F	31	SFP 4068	PREHEATING ELEMENT 150W
14	SFP 10843	FAN THERMOSTAT 85°F	32	SFP 10937	TIMER
15	SFP IX-5827	MOTOR DRIVE	33	SFP 0833	POWER SELECTOR SWITCH
16	SFP 4072	FAN 230V			
17	SFP WRS-178	THERMOSTAT RECEPTACLE			
			SFP SE-4715	THERMOSTAT (NOT SHOWN)	
			SFP 7723	DOOR SEAL (NOT SHOWN)	

# Ducting

WD810	8"x10' Wire reinforced duct (350° Max)
WD825	8"x25' Wire reinforced duct (350° Max)
WD1220	12"x20' Wire reinforced duct (350° Max)
WD1225	12"x25' Wire reinforced duct for V400, HVF110-310 (350° Max)
DU1215NH	12"x15' Layflat duct (200° Max)
WD1425	14"x25' Wire reinforced duct for HVF210, P4000, P6000 (350° Max)
WD1625HT5	18"x25' Wire reinforced duct w/5' silicone lining for DG250, IX405 (400° Max)
WD1825	18"x25' Wire reinforced duct for HVF310-410, IX800 (350° Max)
WD2010UHT	20"x10' Wire reinforced duct for 1800B (1,200° Max)
WD2025	20"x25' Wire reinforced duct (350° Max)
WD2025HT5	22"x25' Wire reinforced duct w/5' silicone lining for DG400 (400° Max)
WD2425	24"x25' Wire reinforced duct for V1100 (350° Max)
WD2425HT	24"x25' Wire reinforced duct for (400° Max)
WDD1825	18"x25' Wire reinforced duct for UB18 Blower (200° Max)
WDD2425	24"x25' Wire reinforced duct for return air
WDD3025	30"x25' Wire reinforced duct for return air
WD3025HT	30"x25' Wire reinforced duct for 2730, 3050, V750, V1100 (400° Max)
PVD12500*	12"x500' Poly ducting (130° Max)
PVD20500*	20"x500' Poly ducting (130° Max)
AR110	Duct adapter ring for the HVF110
AR210	Duct adapter ring for the HVF210
AR310	Duct adapter ring for the HVF310
AR401	Duct adapter ring for the HVF410HD
AR212	Two way duct splitter adapter for the HVF210
AR312	Two way duct splitter adapter for the HVF310
AR402	Two way duct splitter adapter for the HVF410HD
AR250	Duct adapter ring for DG250
AR400	Duct adapter ring for DG400
AR1024	Two way duct splitter adapter for the V1100 (24")
AR1130	Single duct outlet for V1100 (28")
AR7520	Two way duct splitter adapter for the V750 (20")
AR7530	Single duct outlet for V750 (28")

**Heater Duct Chart**

	V750		IX800		HVF210			IX800(2)				
	V1100	HVF210(2)	V750(2)	HVF410	P1800D	HVF310	P6000	V600A	IX405	DG250	DG400	1800B
	750EF	3050	HVF310(2)	HVF410	HVF110	HVF410(2)	P4000	UB-18	V1100(2)	DG250	DG400	1800B
	950H	2730C	V400	V1000	HVF110	HVF410(2)	P4000	UB-18	V1100(2)	DG250	DG400	1800B
WD1225												
WD1425												
WD1625HT5												
WD1825												
WD2025												
WD2025HT5												
WD2425												
WD3025HT												
WDD1825												
WD2425HT												
WD2010UHT												

# Accessories

<b>PART NUMBER</b>	<b>DESCRIPTION</b>
HWP-900200	200 Gallon Fuel Tank for the VF700/750/900/1100 with gauge
ACC-FT1000HT	Immersion Heater for VF700/750/900/1100 Fuel Tank
ACC-FT400	75 Gallon Fuel Tank for the VF400
ACC-FT400HT	Immersion Heater for VF400 Fuel Tank
ACC-TK300	External Tank Kit for HVF110, 210, 310, 410
ACC-THIDF	Thermostat for the HVF110, 210, 310, 410 & DF400, DF600 - 50' cord
ACC-SWK1	S405 Wheel Kit
ACC-412	Remote Thermostat Lock Box
HWP HV1169	Pressure Gauge, 0-15 Inches of Water Bottom Mount, 1/4" MNPT, 2.5" Diameter Face
HWP HV1027	Pressure Gauge, 0-30 psi Bottom Mount, 1/4" MNPT, 2.5" Diameter Face
HWP HV1060	Pressure Gauge, 0-300 psi, Liquid Filled Bottom Mount, 1/4" MNPT, 2.0" Diameter Face
HWP HR1053	First Stage High Pressure Gas Regulator (MN) Inlet: 1/2" FNPT, for incoming pressure 400 psi (max) Outlet: 1/2" FNPT, for outlet pressure 3-30 psi
OTL LV4403TR4	First Stage High Pressure Gas Regulator Inlet: 1/2" FNPT, for incoming pressure 400 psi (max) Outlet: 1/2" FNPT, factory set outlet pressure 10 psi Max flow from outlet 1000 CFH (1,000,000 BTU/hr-NG; 2,500,000 BTU/hr-LP)
ACC-40SV06	Second Stage High Pressure Gas Regulator (1/4" orifice) Inlet: 3/4" FNPT, for incoming pressure 60 psi (max) Outlet: 1" FNPT, for outlet pressure 0.5 psi (14" w.c.) (max) Recommended for: VG400, S405, IX405, DG250, DG400
ACC-11SV08	Second Stage High Pressure Gas Regulator (1/2" orifice) Inlet: 1.25" FNPT, for incoming pressure 20 psi (max) Min pressure 3 psi for 1,000,000 BTU (natural gas) Min pressure 7 psi for 1,500,000 BTU (natural gas) Outlet: 1.25" FNPT, for outlet pressure 0.5 psi (14" w.c.) (max) Recommended for : V600A, V750, VG1000, S1505B, VG1100
EF1	Flue Stack with Rain Cap HVF110, 210, 310 410HD
BIE 99AM003	Pump Gauge Kit (Manometer) HVF 110, 210, 310, 410HD, DF400, DF600
ACC-G24507	Gas Pressure Test Set 2.5" gauge with 0-35" W.C. range is securely mounted in poly box 3' of rubber tubing is assembled to the gauge



### **GAS HOSE**

ACC-7525 - 3/4" x 25'

ACC-7550 - 3/4" x 50'

ACC-1025 - 1" x 25'

ACC-1050 - 1" x 50'

ACC-12525 - 1-1/4" x 25'

CSA certified for NG and Propane

Female Swivel Fittings Included



### **ACC-INSTKIT**

*Everything you need for installation of propane tank to heater.*

*(Includes 25' of 3/4" hose)*

**Can't locate your heater or part?  
Visit our website [www.heatwagon.com](http://www.heatwagon.com)  
and review products, product support and legacy products.**



**342 N. Co. Rd. 400 East • Valparaiso, IN 46383  
219-464-8818 • 888-432-8924 • Fax 800-255-7985  
[www.heatwagon.com](http://www.heatwagon.com)**